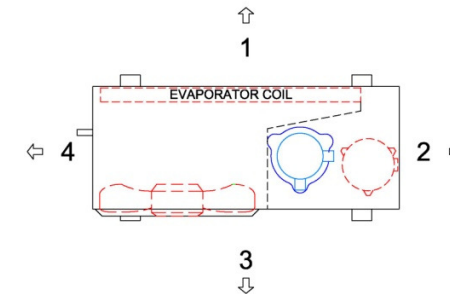
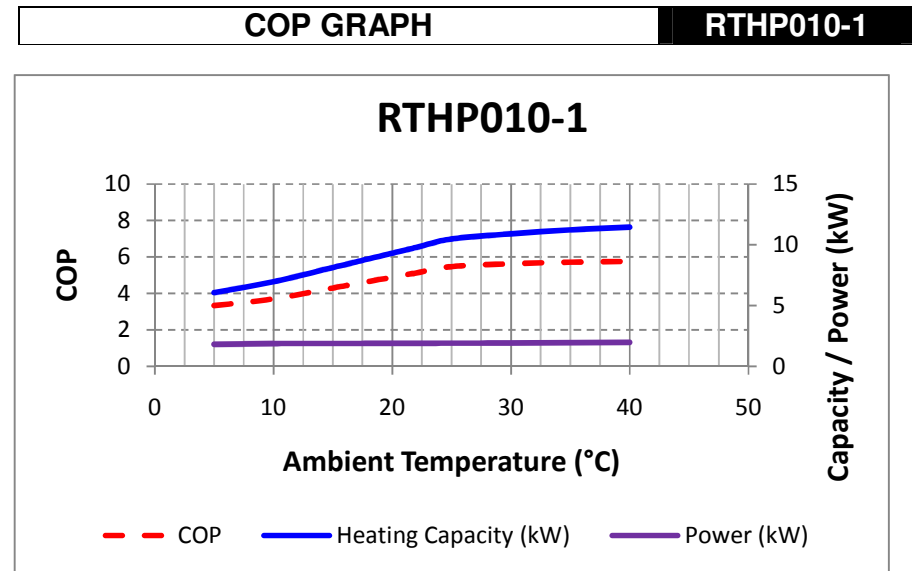


POOL HEAT PUMP SPECIFICATIONS		RTHP010-1	
Date: June 2016			
ELECTRICAL INPUT			
Voltage / Phase	240 / 1 Phase / 50 Hz		
Full Load Amps Per Phase	9.84 Amps		
Min. Circuit Size	15 Amps		
Refrigerant	R407C		
Nominal Heating capacity	9.31 kW		
Power input	1.903 kW		
COP	4.89		
Noise Level	51 dBa @ 3 m		
Rated Load Amps @ 10°C SST / 45°C SCT	8.38 Amps		
TECHNICAL DATA.	Compressor	Fan	
Make	Siam	EBM-Papst	
Type	Rotary 20099	Axial	
Number Per Unit	1	1	
FLA (Full Load Amps)	9.04 Amps	0.64 Amps (Each)	
Voltage / Phase	240 / 1	240 / 1	
Pole/RPM	2/2,900	6/890	
Air Flow	N/A	800 L/s	
HEAT EXCHANGER (Water Side)			
Type of Water Tube	Titanium		
Design	Shell and Tube		
Flow Rate Excl. By Pass	1.53 L/s		
Max. Outlet Water Temp	42°C		
Design Temperature difference	1.44°K		
Design Pressure Drop	40 k.P.a		
Max. Operating Pressure	300 k.P.a		
GENERAL INFORMATION			
Water Connections	40 mm PVC		
Drain	20mm PVC		
Defrost	Hot Gas Injection		
Cabinet Construction	1.2mm Stucco Aluminium		
Approx. shipping weight	90 kg		
Size L x W x H	1000 mm x 475 mm x 800 mm		



UNIT CLEARANCES		RTHP010-1	
Direction	Description	Minimum Clearance Required	
1	Evaporator Coil	500 mm	
2	Water Connections	200 mm	
3	Fan Access / Comp	850 mm	
4	Side Access	300 mm	
5	Height Clearance	300 mm	

**When units placed side by side allow 2000mm clearance between evaporator coils.
Rating Conditions: 27°C DB / 22°C WB / 27°C water inlet.



Manufactured In Australia by Rheem Thermal



Rheem
THERMAL SYSTEMS GROUP

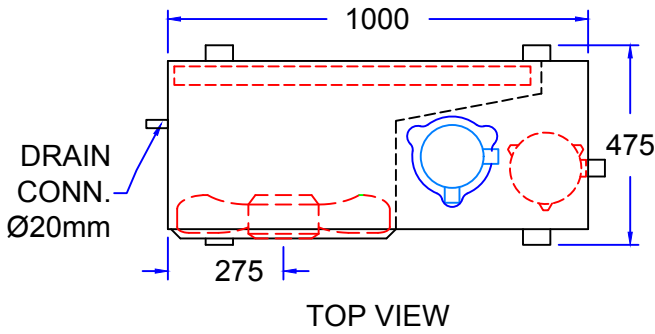
POOL HEAT PUMP DIMENSIONS

1 PHASE

RTHP010-1

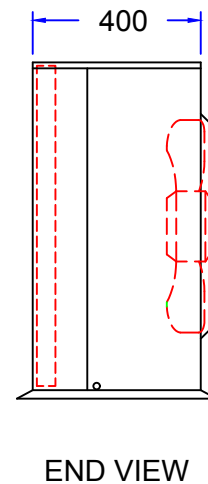
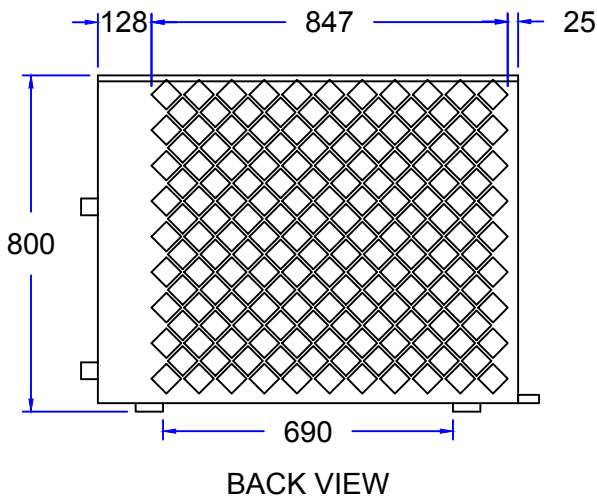
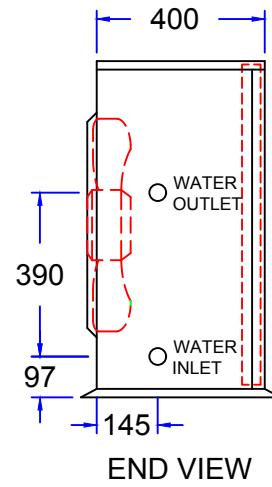
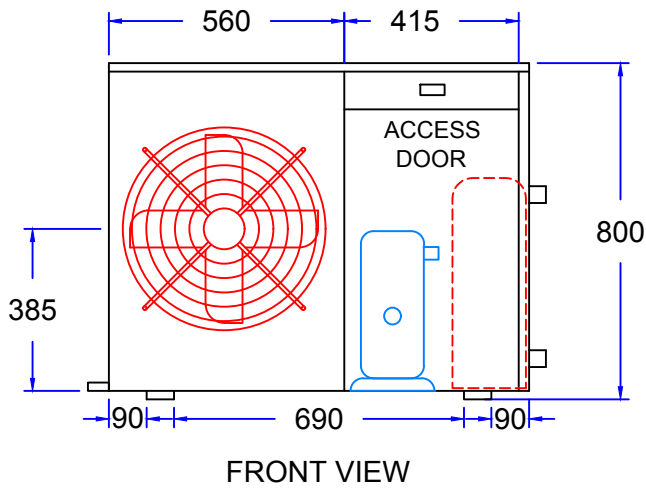
STANDARD DESIGN CONFIGURATION

POOL HEAT PUMP



PHYSICAL SIZE (mm)		
L x W x H	1000 x 475 x 800	
	kW	WEIGHT
RTHP010-1	9.24	90 kg.

NOTE:
WATER CONNECTIONS 40mm PVC
FEMALE BSP THREADED



Rheem
THERMAL SYSTEMS GROUP

43 Marigold Street
Revesby NSW 2212
Australia
Phone: +61 2 9684 3684
Fax: +61 2 9684 3698

RTHP010-1

REF. DWG
RTHP010-1-D01

Date
2/05/2018

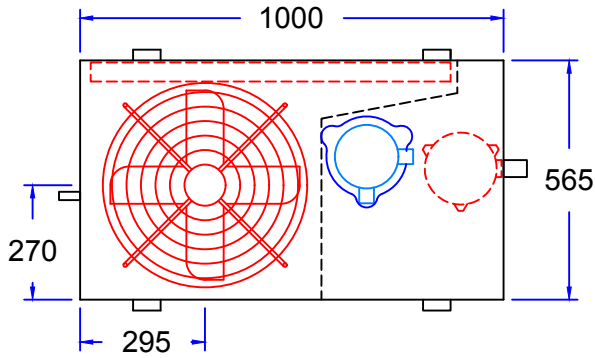
Drawn
JB

POOL HEAT PUMP DIMENSIONS

1 PHASE

RTHP010-1V

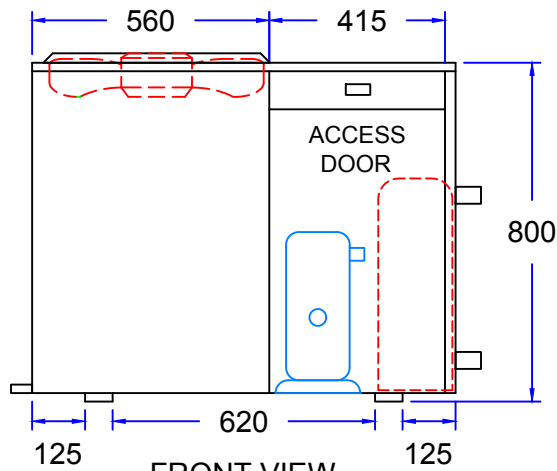
STANDARD DESIGN CONFIGURATION



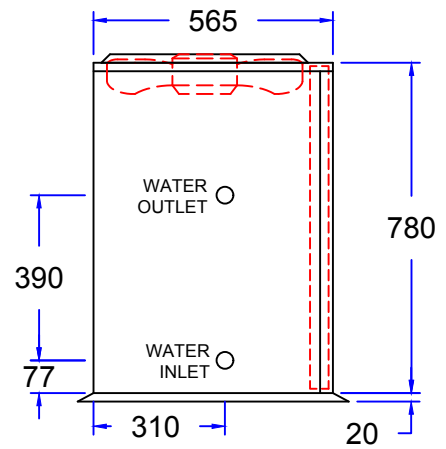
TOP VIEW

PHYSICAL SIZE (mm)		
L x W x H	1000 x 565 x 800	
	kW	Weight
RTHP010-1V	9.24	95 kg.

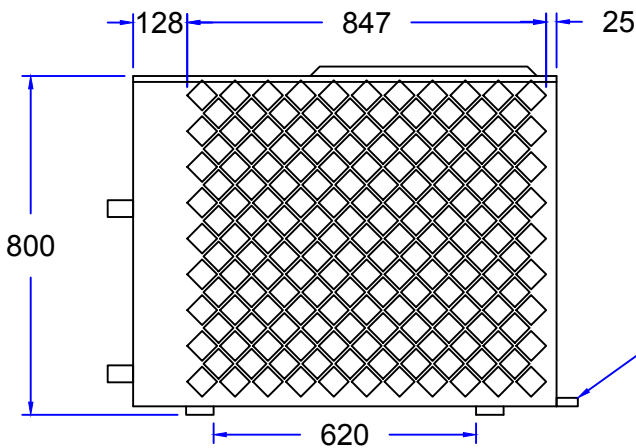
NOTE:
WATER CONNECTIONS
40 MM PVC FEMALE
BSPTTHREAD



FRONT VIEW

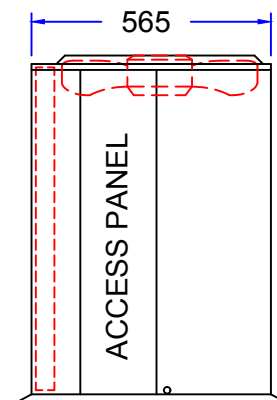


END VIEW



BACK VIEW

COND DRAIN
20mm PVC



END VIEW



Rheem

THERMAL SYSTEMS GROUP

43 Marigold Street
Revesby NSW 2212
Australia
Phone: +61 2 9684 3684
Fax: +61 2 9684 3698


RTHP010-1V

REF. DWG
RTHP010-1-D03

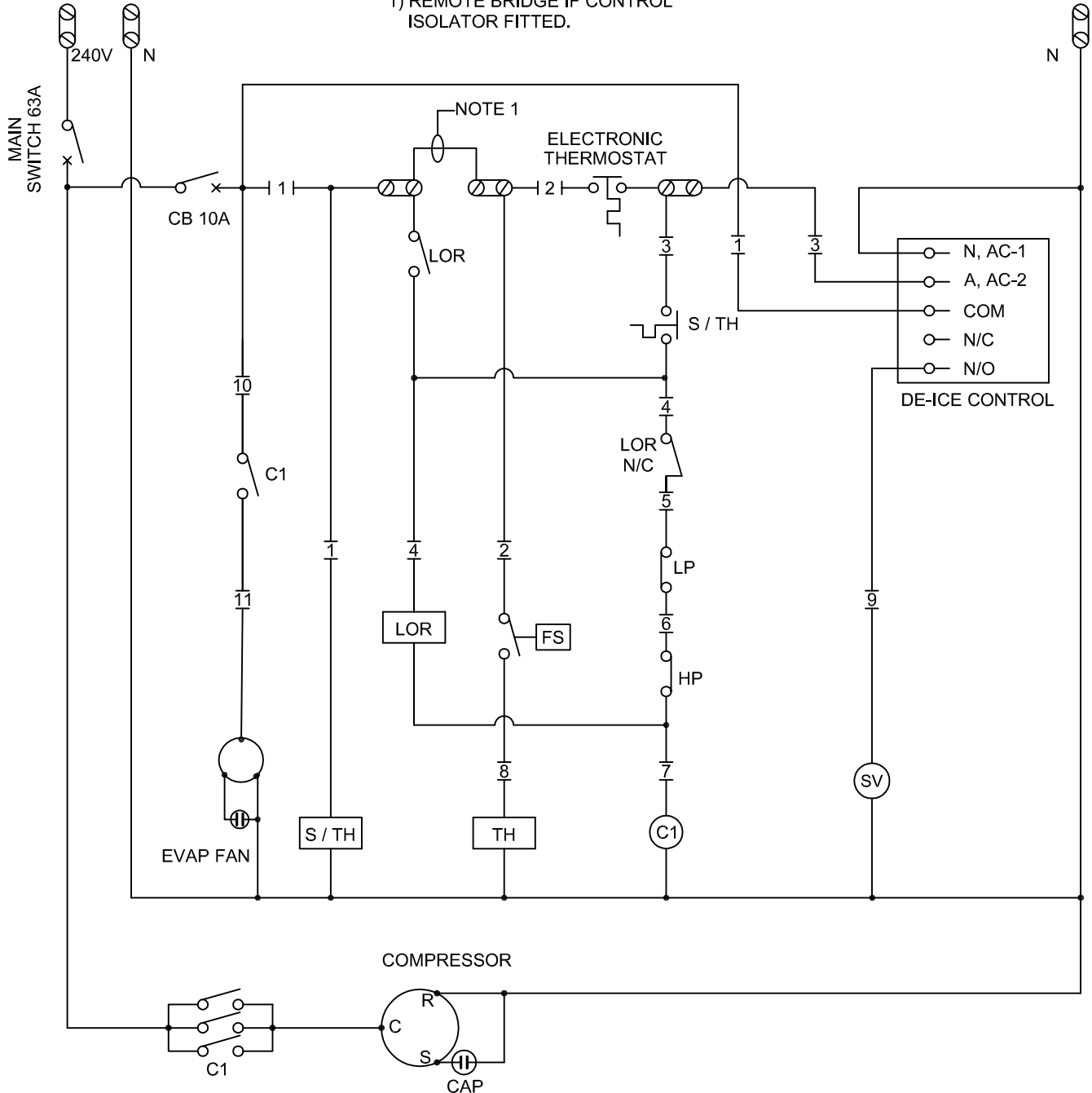
Date
2/05/2018

Drawn
JB

WIRING DIAGRAM FOR 1Ø HEAT WATER PUMP

LEGEND	
C1	COMPRESSOR CONTACTOR
CAP	CAPACITOR
CB	CIRCUIT BREAKER
FS	FLOW SWITCH
LOR	LOCKOUT RELAY
SV	SOLENOID VALVE
TH	THERMOSTAT
S / TH	SAFETY THERMOSTAT
	CONTACTOR COIL

NOTE:
1) REMOTE BRIDGE IF CONTROL ISOLATOR FITTED.



Rheem
THERMAL SYSTEMS GROUP

21 Atkinson Street
Liverpool NSW 2170
Phone: (02) 9602 8444
Fax: (02) 9602 8477

RTHP010-1

REF. DWG
RTHP010-1

Date
20/6/2016

Drawn
B.Fleming