



STELLAR[®]

RHEEM STELLAR[®] GAS HOT WATER



GAS

2-6
PEOPLE

MAINS
PRESSURE

10 YEAR
CYLINDER
WARRANTY¹



RHEEM STELLAR[®] 330 & 360

- **5 Star energy efficiency** – uses less gas than 3 or 4 Star water heaters
- **Advanced technology** – the Stellar Superflue[®] increases efficiency and performance, reducing energy consumption to save you money
- **Mains pressure** – to service multiple hot water demands at once
- **200L/hour hot water recovery⁴** – more than you will likely need!
- 10 Year cylinder warranty¹
- 330 or 360L first hour capacity²
- Australian made



COMES ON STEADY, HOT AND STRONG

INSTALL A





STELLAR®

RHEEM STELLAR® IS SIMPLY THE BEST IN HOT WATER

Rheem Stellar® is synonymous with the best in gas hot water, providing superior energy efficiency and hot water recovery.

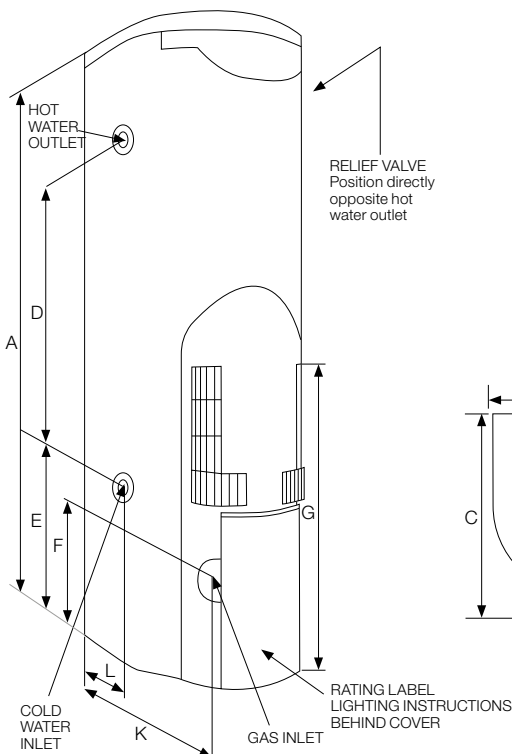
More than ever, Rheem Stellar® offers you the very best combination of performance, durability and features all backed by our 10 year cylinder warranty.¹

Whatever the size of your family, Rheem Stellar® has a model that's right for you. Enjoy superior durability, efficiency and performance, along with the peace of mind that comes with our experience and reputation as Australia's favourite hot water system.

SPECIFICATIONS

	850330NO	850360NO
AGA Star Rating Index	5 Stars	5 Stars
Suitable for Number of People		
Moderate Climate	2-5	3-6
Cool Climate	2-4	3-5
Warranty (Cylinder) ¹	10 Years	10 Years
Gas Type	Natural Gas	
Storage Capacity	Litres 130	160
Recovery Rate at 45°C Rise	Litres/Hr 200	200
First Hour Capacity ²	Litres 330	360
Hourly Gas Consumption		
Natural Gas	MJ/Hr 42	42
Approx. Weight Empty	kg 70	80
Approx. Weight Full	kg 200	240
Relief Valve Setting	kPa 1400	1400
Expansion Control Valve Setting	kPa 1200	1200
Max. Water Supply Pressure		
Without ECV	kPa 1120	1120
With ECV ³	kPa 960	960
Water Connection LHS	Rp ¾	Rp ¾
Gas Connection	Rp ½	Rp ½
Installation Type	External Only	External Only
Dimensions		
A (Height)	mm 1600	1900
B (Width) Approx.	mm 485	485
C (Depth) Approx.	mm 558	558
D	mm 988	1213
E	mm 328	409
F	mm 298	298
G	mm 770	770
K	mm 520	520
L	mm 252	252
M	mm 299	299
N	mm 93	93

Rheem® Stellar 330/360



1. Rheem Stellar 330/360 warranty: 10 Years on Cylinder, 3 Years labour on Cylinder, 1 Year parts & labour warranty on all other components. For Domestic (non-commercial) installations.
 2. First hour capacity is the storage capacity plus nominal first hour recovery rate at 45°C temperature rise using Natural Gas.
 3. ECV not supplied.
 4. At 45°C temperature rise using Natural Gas.
 Materials and data are subject to change without notice. *Registered Trademark of Rheem Australia Pty Ltd. ™Trademark of Rheem Australia Pty Ltd.

Rheem Australia Pty Ltd.
 1 Alan Street, Rydalmere, New South Wales 2116, Australia
 PO Box 7508, Silverwater, New South Wales 2128, Australia

