



# Rheem Pipe Cover (PN 299841) Installation Instructions



The Rheem Pipe Cover is to be installed after the Rheem Continuous Flow water heater has been installed. The pipe cover is designed to be installed underneath the Rheem water heater to cover the pipe work and valves, but cannot cover the external GPO.

1. Position the pipe cover housing (1) under the unit with the side panels of the pipe cover housing overlapping up the sides of the Rheem unit.
2. Mark the position of the holes on the external wall, through the holes (2) on the rear flange of the pipe cover housing.
3. Remove the pipe cover housing from the Rheem unit.
4. Drill holes in the external wall to receive a suitable fixing.
5. Position the pipe cover housing under the Rheem unit and using suitable masonry anchors, screw the pipe cover housing to the wall.
6. Position the pipe cover access panel (3) and using the screws provided, fix to the pipe cover housing.



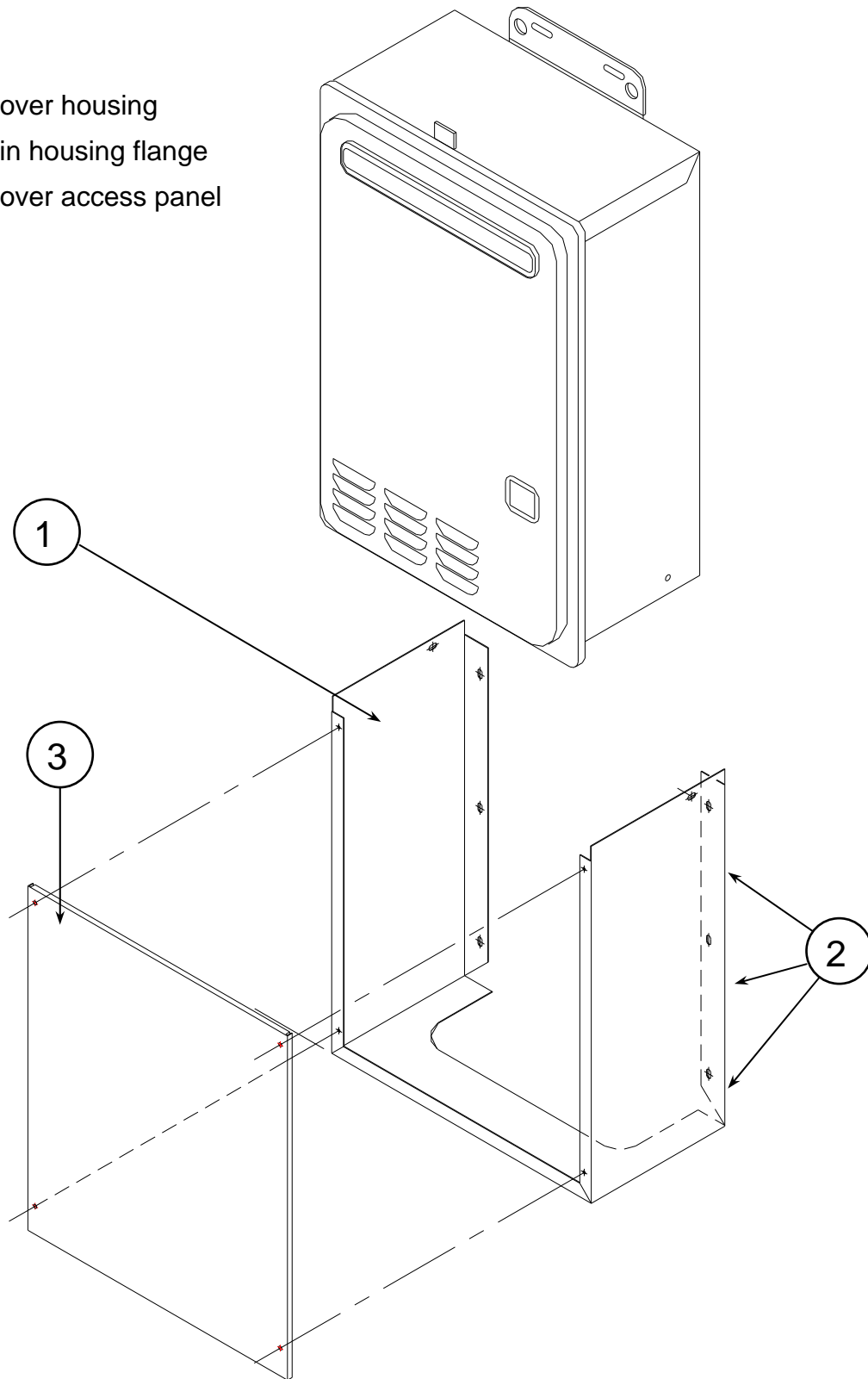
*Install a Rheem*

*This pipe cover must be installed by an authorised person.  
Please leave this guide with the householder.*



# Rheem Pipe Cover (PN 299841) Installation Instructions

1. pipe cover housing
2. holes in housing flange
3. pipe cover access panel



## PIPE COVER