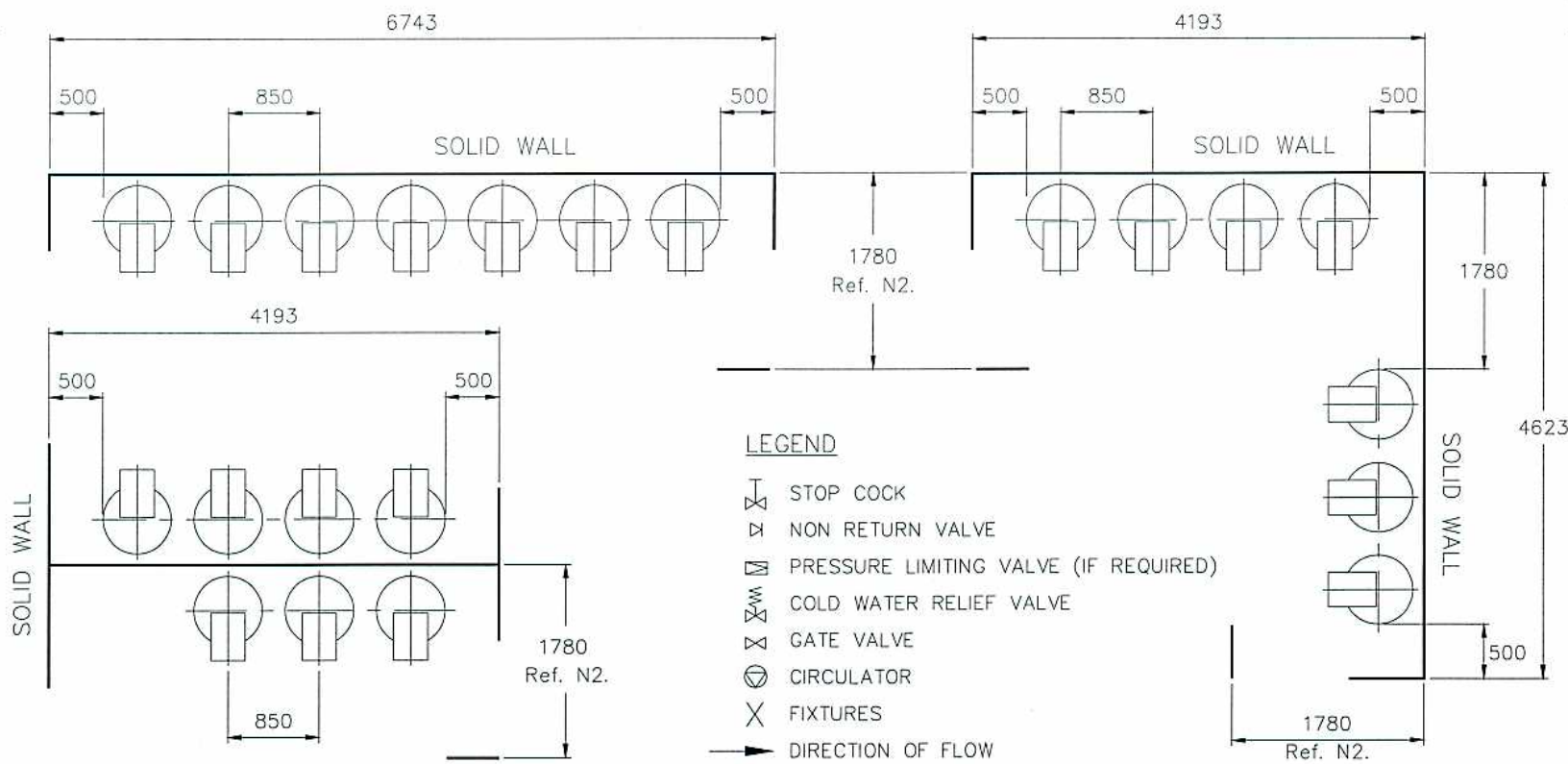
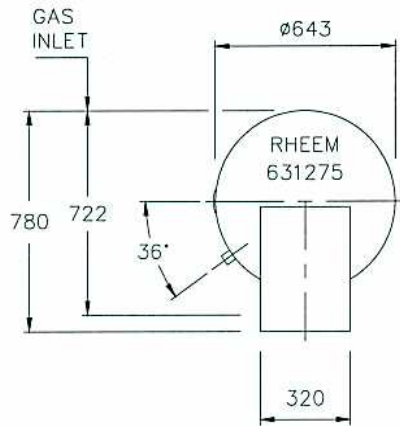
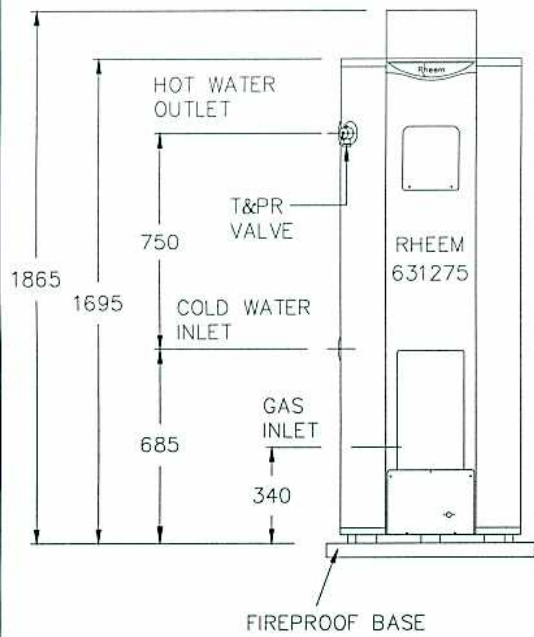


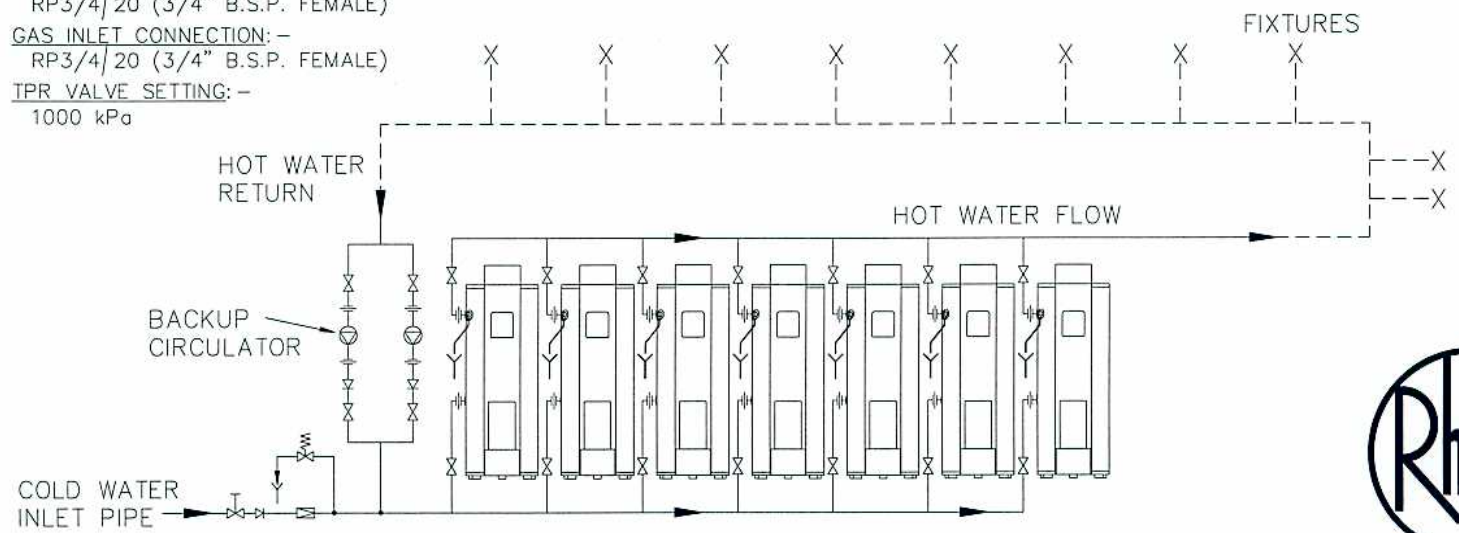
OUTDOOR MODEL



LEGEND

- STOP COCK
- NON RETURN VALVE
- PRESSURE LIMITING VALVE (IF REQUIRED)
- COLD WATER RELIEF VALVE
- GATE VALVE
- CIRCULATOR
- FIXTURES
- DIRECTION OF FLOW
- UNION
- TUNDISH

- INLET OUTLET CONNECTIONS:-**
 RP1-1/4/32 (1-1/4" B.S.P. FEMALE)
- TPR VALVE CONNECTION:-**
 RP3/4/20 (3/4" B.S.P. FEMALE)
- GAS INLET CONNECTION:-**
 RP3/4/20 (3/4" B.S.P. FEMALE)
- TPR VALVE SETTING:-**
 1000 kPa



NOTES:

- N1. MINIMUM SPACE BETWEEN WALL AND BACK OF WATER HEATER IS 100mm.
- N2. A MINIMUM OF 900mm SHOULD BE LEFT IN FRONT OF THE WATER HEATER FOR ACCESS, SERVICING AND WATER HEATER REMOVAL.
- N3. EXTERNAL WATER HEATERS MUST BE INSTALLED WITH THE BACK OF THE WATER HEATER AGAINST A SOLID WALL.

RHEEM WATER HEATERS HEAVY DUTY GAS 7 x 631275

