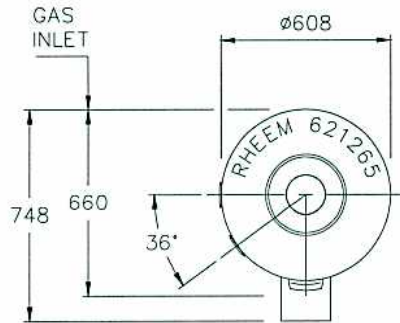
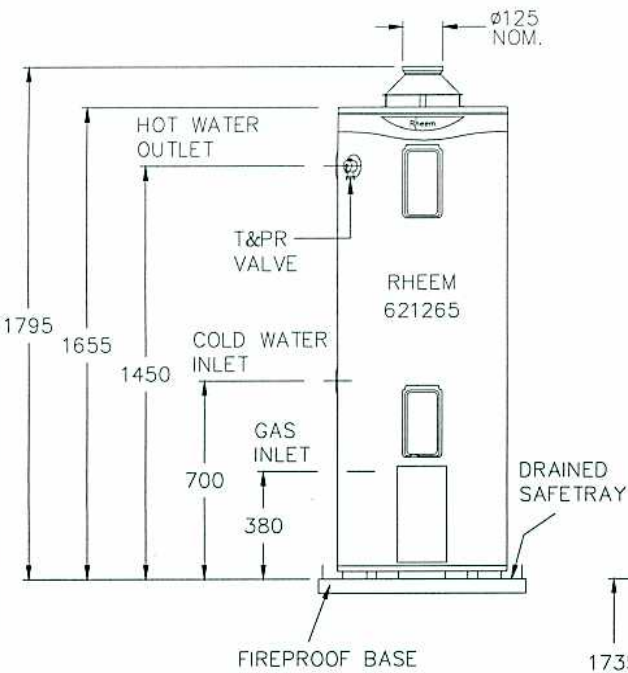
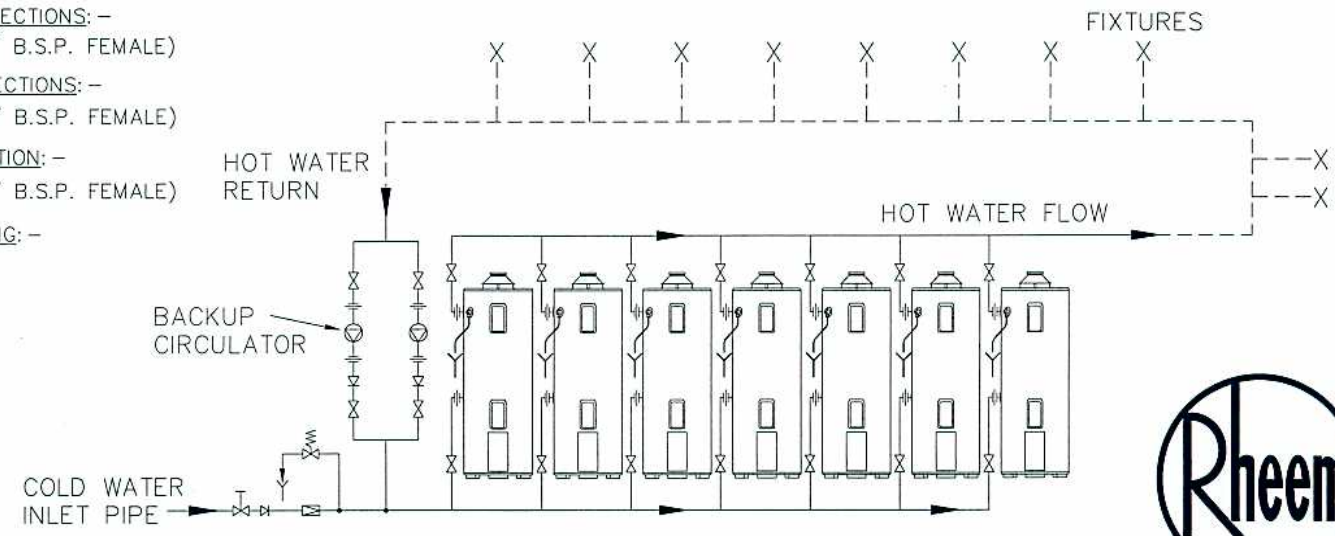
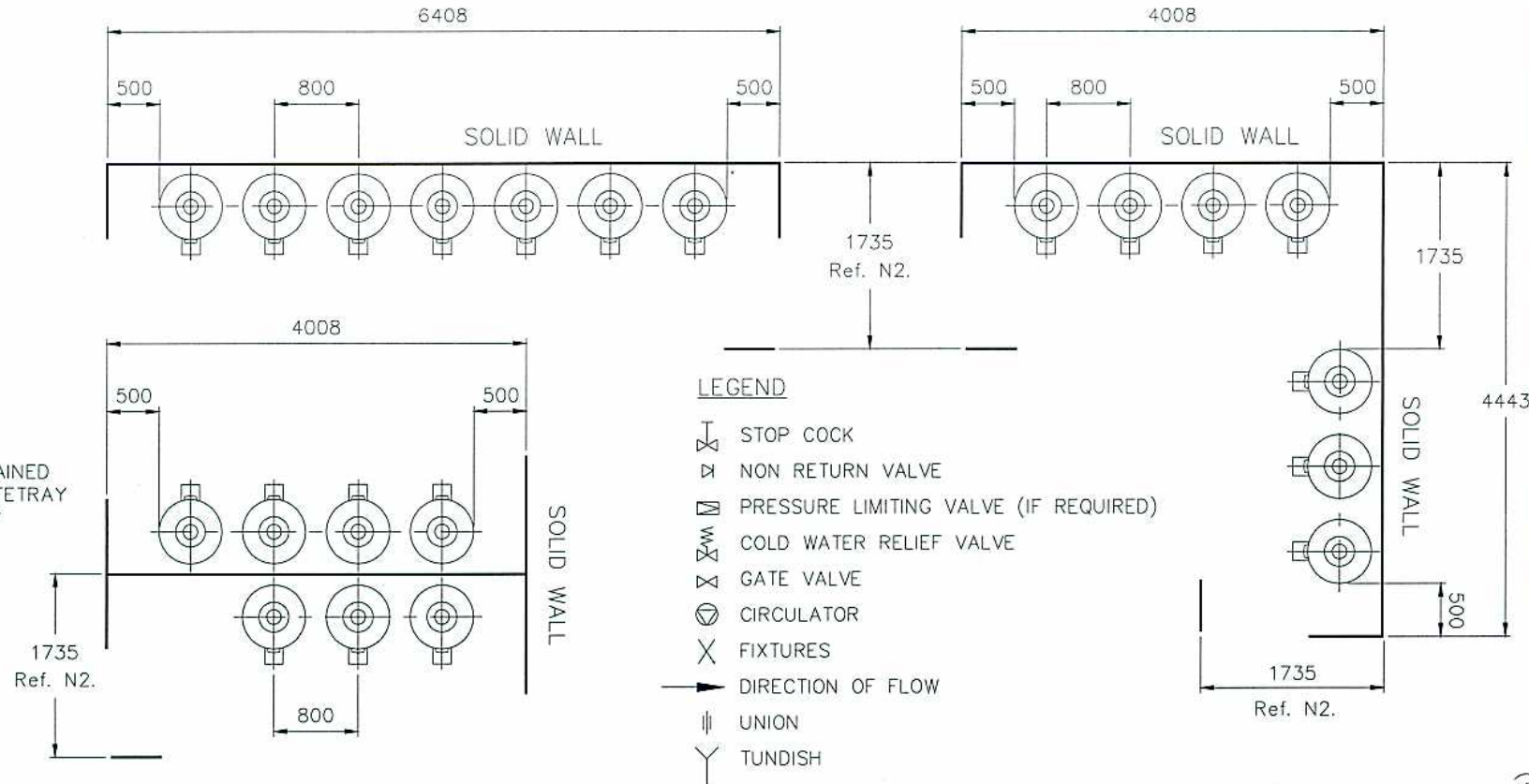


INDOOR MODEL



- NOTES:**
- N1. MINIMUM SPACE BETWEEN WALL AND BACK OF WATER HEATER IS 100mm.
 - N2. A MINIMUM OF 900mm SHOULD BE LEFT IN FRONT OF THE WATER HEATER FOR ACCESS, SERVICING AND WATER HEATER REMOVAL.

- INLET OUTLET CONNECTIONS: -**
 RP 1 1/4 / 32 (1 1/4" B.S.P. FEMALE)
- T&PR VALVE CONNECTIONS: -**
 RP 3/4 / 20 (3/4" B.S.P. FEMALE)
- GAS INLET CONNECTION: -**
 RP 3/4 / 20 (3/4" B.S.P. FEMALE)
- T&PR VALVE SETTING: -**
 1000 kPa



RHEEM WATER HEATERS HEAVY DUTY GAS 7 x 621265

