

VULCAN®

GAS & ELECTRIC HOT WATER



GAS



ELECTRIC



THAT'S VULCAN® VALUE

High quality and performance at a very affordable price. Three good reasons why Vulcan is such a popular choice for reliable water heating.

Vulcan is built with the best: Quality materials and proven technology make Vulcan a great choice.

Vulcan is tough: The Vulcan storage cylinder is made from high strength steel tough enough to withstand varying water and heating cycle pressures.

Vulcan is adaptable: The balanced flue and steel jackets make Vulcan gas models easy to install and easy to live with. They can be installed on an approved base against a wall.

Vulcan has backup: If you need a spare part for your Vulcan it's good to know they are readily available across the country and can be serviced by most plumbers or electricians.



FORGED TOUGH

HOW TO CHOOSE THE RIGHT VULCAN®

Many households change over time, so it's important to make sure you select the model to suit your needs both now and as your family grows.

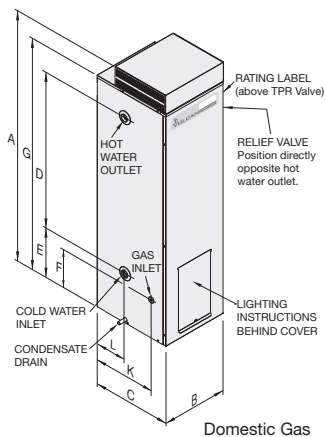
Take into consideration appliances such as washing machines and dishwashers, which can use as much hot water as one person. Also allow for family additions and don't forget – small children grow into large teenagers.

Use the charts below as a guide for calculating your average usage, and for selecting the right Vulcan model for you.

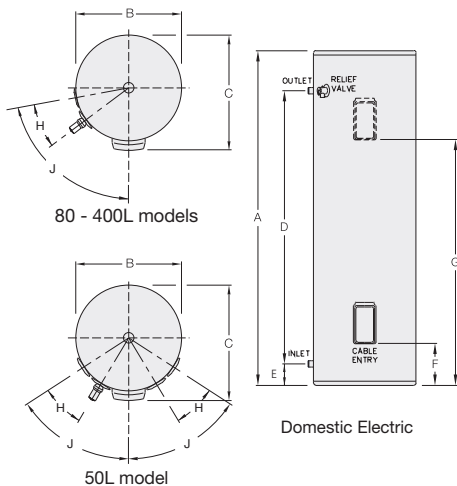
Vulcan Gas				
Warranty				
Vulcan Quick Recovery	7 years*		648135	648170
Trim Kit			FK135	FK170
Gas Energy Rating		Stars	4	4
Storage Capacity		Litres	135	170
Dimensions	A	mm	1565	1870
	B	mm	422	422
	C	mm	502	502
	D	mm	988	1213
	E	mm	328	403
	F	mm	298	298
	G	mm	1481	1786
	K	mm	473	473
	L	mm	211	211
Approx. Weights Packaged		kg	69	80
Relief Valve Setting		kPa	1400	1400
ECV Setting ²		kPa	1200	1200
Max. Supply Pressure				
With Expansion Control Valve		kPa	960	960
Without Expansion Control Valve		kPa	1120	1120
Hourly Gas Consumption	Natural		27	27
	Propane		26	n/a
Water Connections (LHS)		Rp	3/4	3/4
Gas Connection		Rp	1/2	1/2

Note: Outdoor models must be installed with the back of the water heater against a wall. Minimum distances from the flue terminal to openings into a building, corners and return walls apply.

Storage Tank Dimensions



Domestic Gas



Domestic Electric

Vulcan Electric											
Warranty											
Vulcan Single Element Left Handed	10 years ¹				601080	601125	681160	661250	661315	661400	
Vulcan Single Element Dual Handed	7 years ¹		691050								
Vulcan Twin Element Left Handed	10 years ¹								662315	662400	
Hot Water Delivery		Litres	50	80	125	160	250	315	400		
			Storage Capacity	53	90	135	165	270	325	410	
Boost Capacity		Litres	-	-	-	-	-	50	90		
Dimensions	A	mm	695	875	1250	1550	1395	1640	1840		
		B	mm	400	460	480	480	640	640	690	
		C	mm	436	496	515	494	675	675	730	
		D	mm	397	475	852	1150	1109	1317	1479	
		E	mm	142	194	194	200	73	113	121	
		F	mm	60	112	112	95	103	103	105	
		G	mm	-	-	-	-	-	1255	1346	
	H	degrees	26	22	22	23	32	32	30		
	J	degrees	59	60	60	60	88	88	83		
Approx. Weights Packaged		kg	26	32	44	56	80	96	119		
Inlet/Outlet Connections		Rp	3/4	3/4	3/4	3/4	3/4	3/4	3/4	3/4	
Relief Valve Setting		kPa	1000	1000	1000	1000	1000	1000	1000	1000	
ECV Setting ²		kPa	850	850	850	850	850	850	850	850	
With Expansion Control Valve		kPa	680	680	680	680	680	680	680	680	
Without Expansion Control Valve			800	800	800	800	800	800	800	800	

Note: All water heaters operate on 240 volt single phase electricity supply.

¹ Warranty: 10 years on cylinder, 1 year labour on cylinder, 1 year parts and labour (Electric 601080, 601125, 681160, 661250, 661315, 662315, 661400 & 662400).

² 7 years on cylinder, 1 year labour on cylinder, 1 year parts and labour (Electric 691050, Gas 648135, 648170).

³ ECV not supplied with water heater.

Conditions apply. See the Vulcan warranty set out in the Owner's Guide & Installation instructions or view at www.vulcan.com.au/warranty

Sizing Guide

Vulcan Gas										
Storage Capacity in Litres				135	170					
No. of people - Moderate climate				2-4	3-5					
No. of people - Cool climate				2-3	3-4					
Vulcan Electric										
Delivery in Litres				50	80	125	160	250	315	400
Continuous Tariff										
No. of People				1-2	1-2	2-3	2-4	3-5	4-6	5-9
Off-Peak Tariff										
No. of People								1-3	2-4	4-6

Materials and specifications are subject to change without notice.

Rheem Australia Pty Ltd.
PO Box 7508 Silverwater NSW 2128, Australia

National Sales Phone: 132 552
National Service Phone: 131 031

® Registered trademark of Rheem Australia Pty Ltd.



FORGED TOUGH