

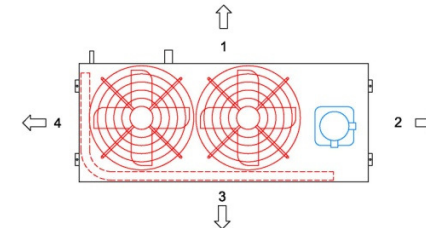
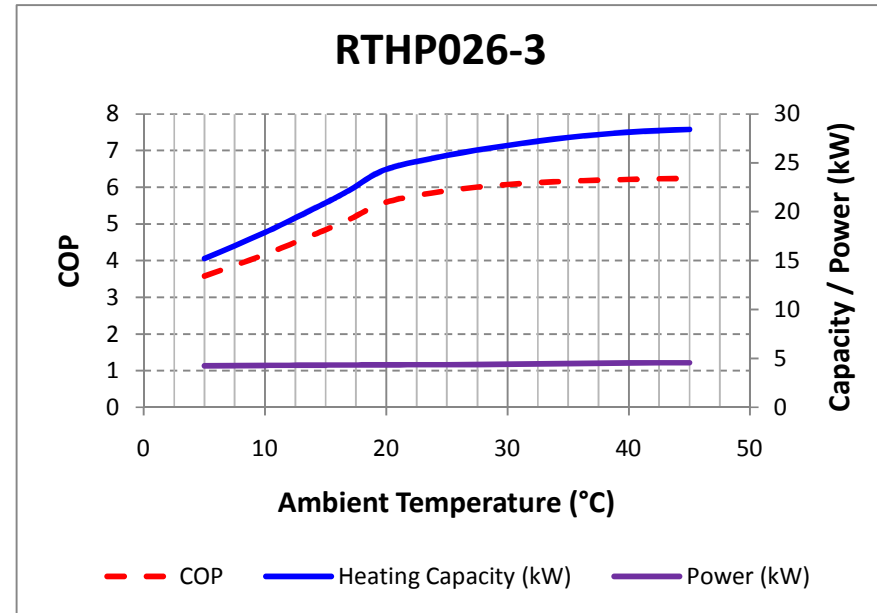
POOL HEAT PUMP SPECIFICATIONS

RTHP026-3

ELECTRICAL INPUT		
Voltage / Phase	415 V / 3 Phase / 50 Hz	
MOC Amps Per Phase	13.38 Amps	
Min. Circuit Size	20.0 Amps	
Refrigerant	R407C	
Nominal Heating capacity	25.77 kW	
Power input	4.36 kW	
COP	5.91	
Noise Level	51 dBa @ 3 m	
Rated Load Amps @ 12°C SST / 45°C SCT	8.88 Amps	
TECHNICAL DATA		Compressor
Make	Copeland	EBM-Papst
Type	Scroll 20012	Axial
Number Per Unit	1	2
MOC (Max Operating Current)	12.1 Amps	0.64 Amps (Each)
Voltage / Phase	415 V / 3 Phase	240 V / 1 Phase
Pole/RPM	2/2,900	6/890
Air Flow	N/A	1835 L/s
HEAT EXCHANGER (Water Side)		
Type of Water Tube	Titanium	
Design	Shell and Tube	
Flow Rate Excl. By Pass	2.8 L/s	
Max. Outlet Water Temp	42°C	
Design Temperature difference	2.2°K	
Design Pressure Drop	40 k.P.a	
Max. Operating Pressure	300 k.P.a	
GENERAL INFORMATION		
Water Connections	40 mm PVC	
Drain	20mm PVC	
Defrost	Reverse cycle	
Cabinet Construction	1.2mm Stucco Aluminium	
Approx. shipping weight	145 kg	
Size L x W x H	1487 mm x 615 mm x 990 mm	

COP GRAPH

RTHP026-3



UNIT CLEARANCES

RTHP026-3

Direction	Description	Minimum Clearance Required
1	Water connections	200 mm
2	Compressor Access	850 mm
3	Evaporator coil	1000 mm
4	Evaporator coil	1000 mm
5	Top – Fan Discharge	2500 mm

When units placed side by side allow 2000mm clearance between evaporator coils.
Rating Conditions: 27°C DB / 22°C WB / 27°C water inlet.



Manufactured In Australia by Rheem Thermal

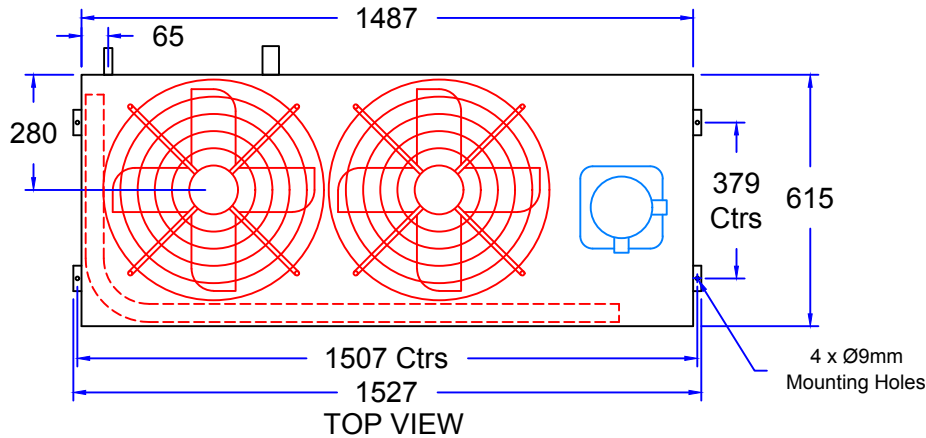


POOL HEAT PUMP DIMENSIONS

3 PHASE

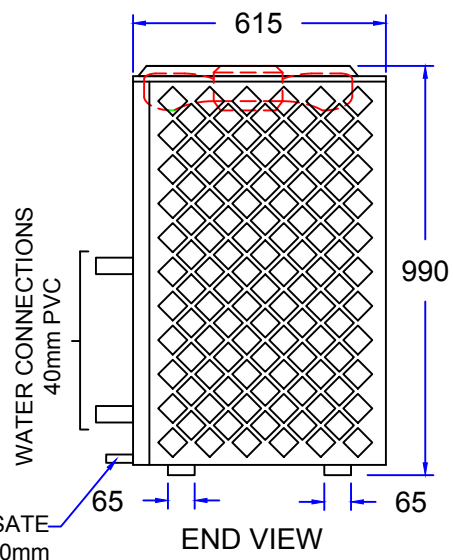
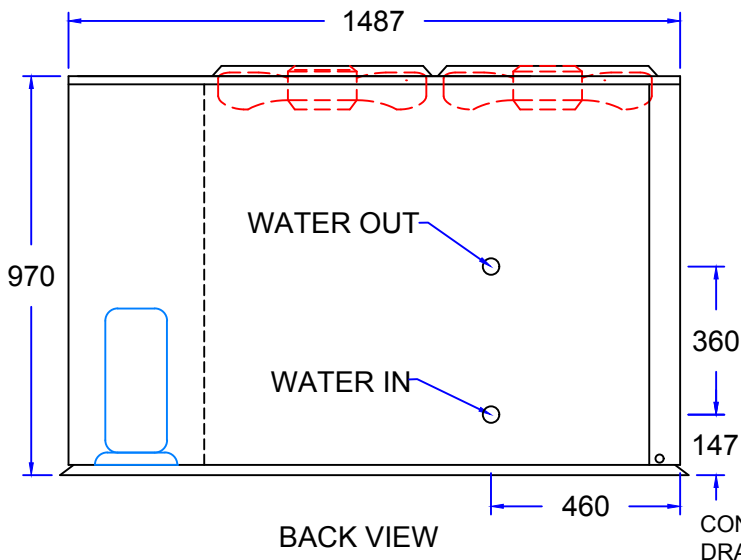
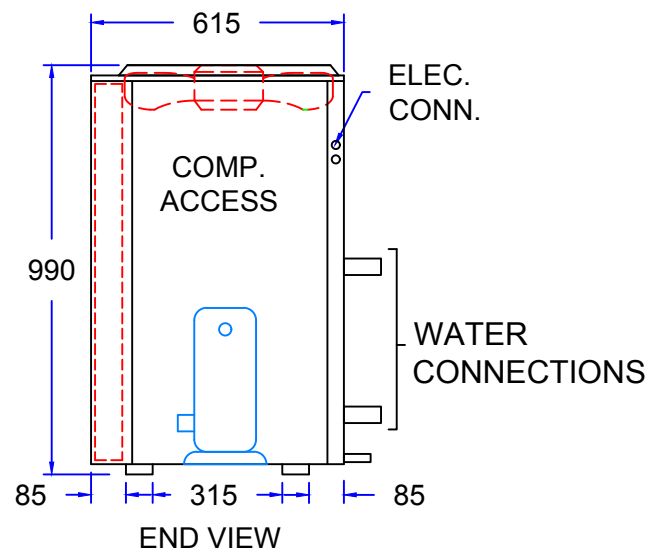
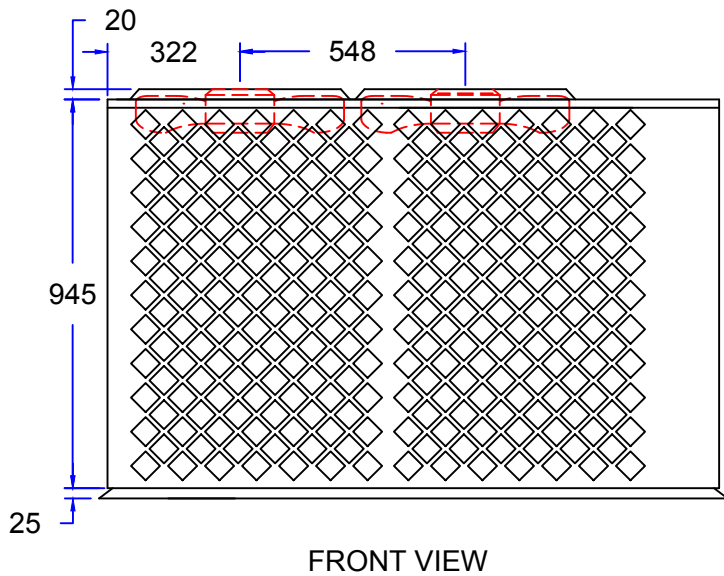
RTHP026-3

STANDARD DESIGN CONFIGURATION



POOL HEAT PUMP

PHYSICAL SIZE (mm)		
L x W x H	1487 x 615 x 990	
	kW	WEIGHT
RTHP026-3	25.5	140.0 kg



Rheem
THERMAL SYSTEMS GROUP

43 Marigold Street
Revesby NSW 2212
Australia
Phone: +61 2 9684 3684
Fax: +61 2 9684 3698

RTHP026-3

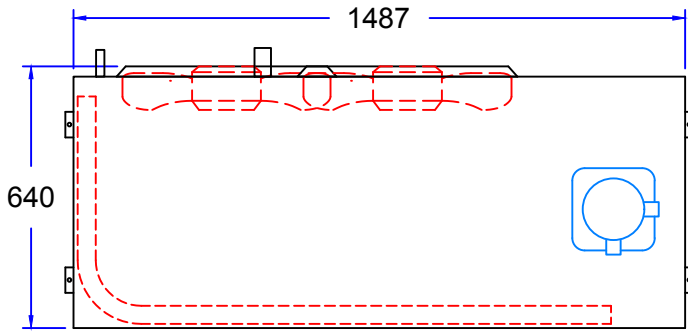
REF. DWG
RTHP026-3-D04

Date
2/05/2018

Drawn
JB

POOL HEAT PUMP DIMENSIONS	3 PHASE	RTHP026-3H
----------------------------------	----------------	-------------------

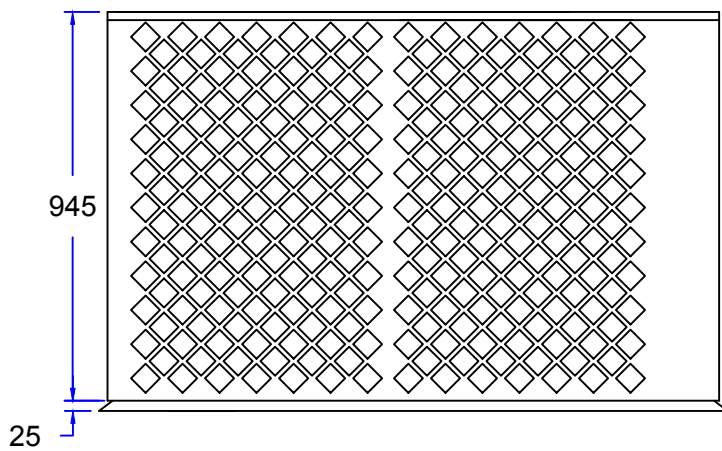
STANDARD DESIGN CONFIGURATION



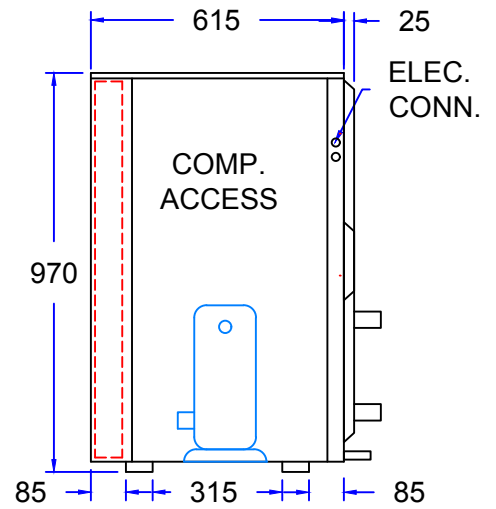
TOP VIEW

POOL HEAT PUMP

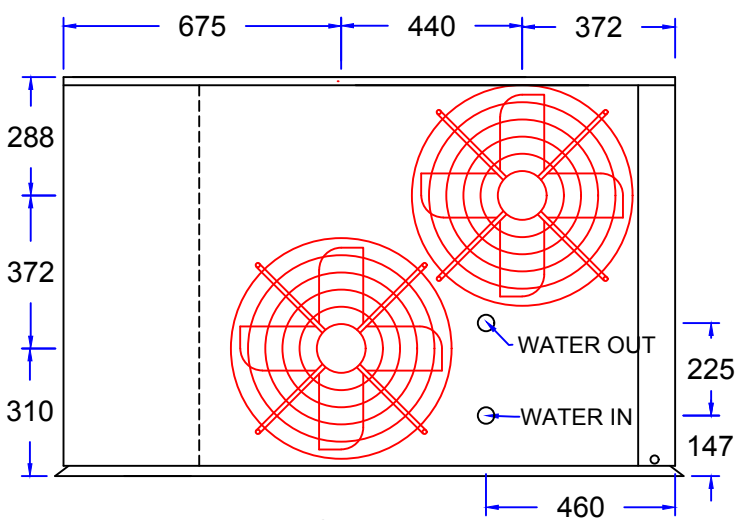
PHYSICAL SIZE (mm)		
L x W x H	1487 x 615 x 990	
	kW	WEIGHT
RTHP026-3H	25.5	140.0 kg



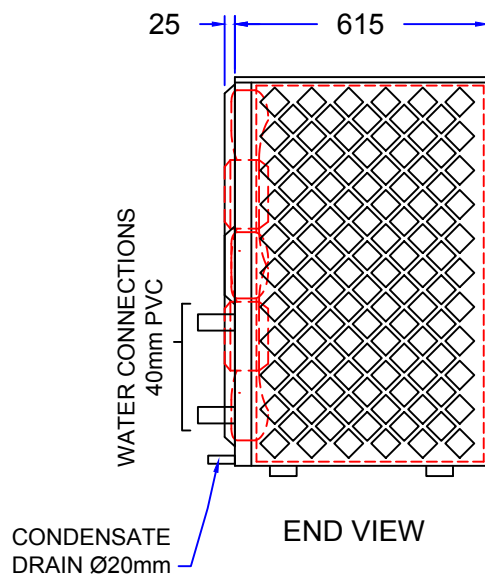
FRONT VIEW



END VIEW



BACK VIEW



END VIEW

 Rheem THERMAL SYSTEMS GROUP	43 Marigold Street Revesby NSW 2212 Australia Phone: +61 2 9684 3684 Fax: +61 2 9684 3698	RTHP026-3H	
		REF. DWG RTHP026-3-D05	Date 2/05/2018

Unit specifications are subject to change without notice.

HOT WATER PUMP WIRING

3 PHASE

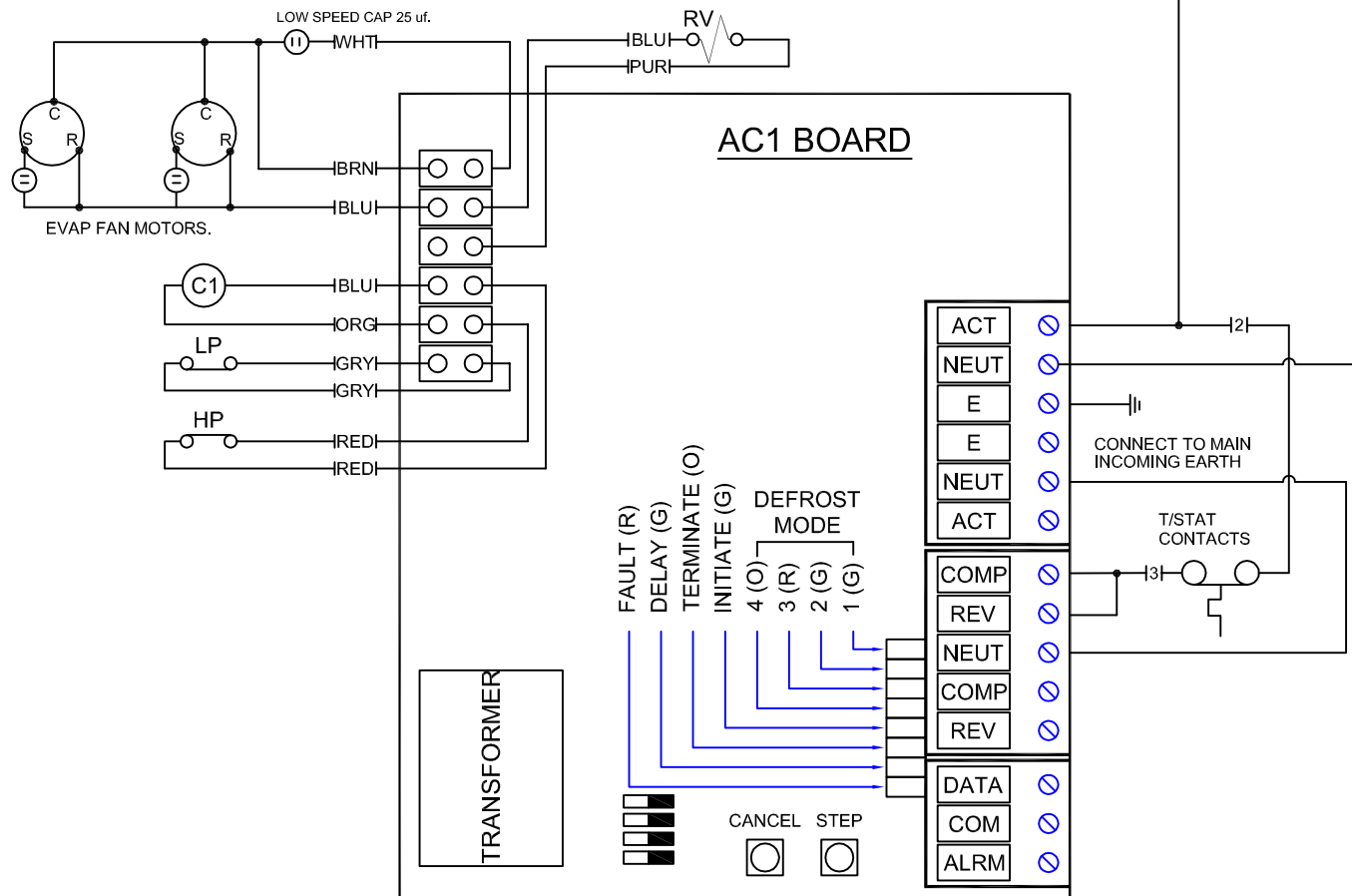
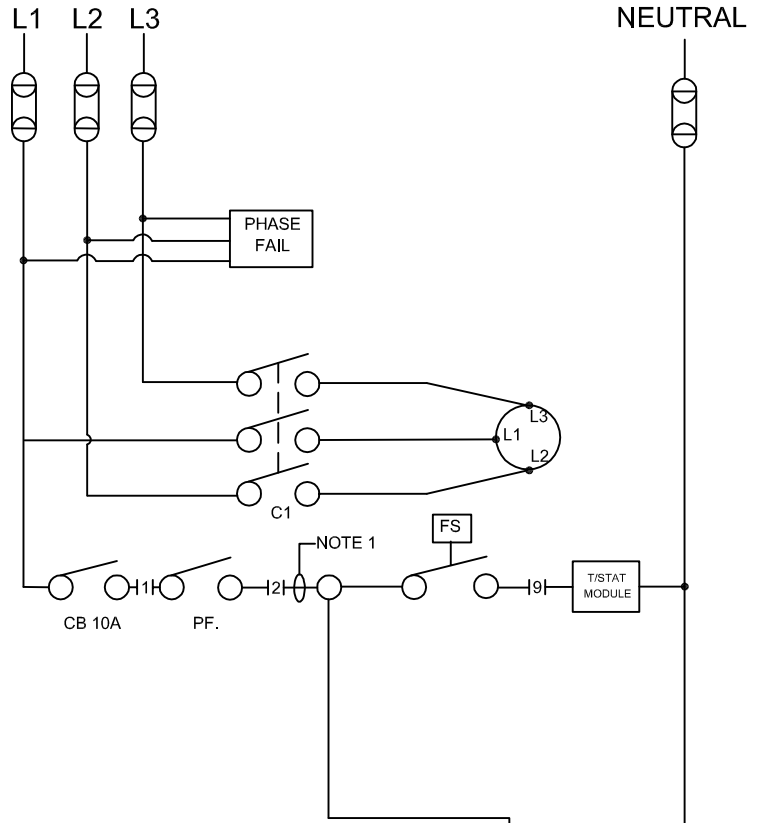
RTHP026-3

FUNCTIONS	LABELS	LEDS
MINIMUM RUN TIME	1	GREEN
DE-ICE CONFIRM TIME	2	GREEN
DE-ICE	3	RED
DE-WATER/PRE-HEAT (BLINKS)	4	ORANGE
SENSOR BELOW 5°C	INIT	GREEN
SENSOR BELOW 12°C	TERM	ORANGE
COMPRESSOR START DELAY	DEL	GREEN
SENSOR HP/LP FAULT	FAULT	RED

<input type="checkbox"/>	CANCEL:	CANCEL COMPRESSOR CYCLE DELAY AND HP/LP TRIP TIMEOUT
<input type="checkbox"/>	STEP:	STEP THROUGH DE-ICE MODES, SENSOR MUST BE BELOW 10°

C1	COMPRESSOR CONTACTOR
C2	EVAPORATOR FAN CONTACTOR
CB	CIRCUIT BREAKER
HP	HIGH PRESSURE SWITCH
LP	LOW PRESSURE SWITCH
RV	REVERSING VALVE
FS	FLOW SWITCH
CCH	CRANKCASE HEATER
PF	PHASE FAIL
(C1)	COMP. CONTACTOR COIL

NOTE:
1) REMOVE BRIDGE IF CONTROL ISOLATOR IS FITTED



Rheem
THERMAL SYSTEMS GROUP

21 Atkinson Street
Liverpool NSW 2170
Australia
Phone: +61 2 9602 8444
Fax: +61 2 9602 8477

RTHP026-3

REF. DWG
RTHP026-3-E01

Drawn
B. Fleming

Date
18/3/2016