



AMBIPOWER® MDc-180 HEAT PUMP

ONE OF AUSTRALIA'S POWERFUL AND EFFICIENT SMALL INTEGRATED HEAT PUMPS



FEATURES

- Advanced wrap around microchannel heating technology for uniform and faster water heating
- Back-up element options in 2.4kW Hardwired or 1.4kW Plug & Lead
- Average Heating Capacity @ 19°C of 3.2kW
- Suitable for cold climates with an operating range from -7°C to 43°C²
- Suitable for harsh water conditions. Optional blue anode model available³
- Can save up to 70% on your water heating energy consumption compared to an electric water heater in Zone 3⁴
- LED touchscreen controller provides optimum visibility with timer function available
- Eligible for STCs (may be eligible for additional incentives in some states)
- 7 year cylinder warranty⁵
- Suitable for up to 4 people⁷
- Uses Low GWP R513a refrigerant



RHEEM AMBIPOWER® MDc-180 HEAT PUMP

The AmbiPower® MDc-180 Heat Pump is for replacement of small to medium electric water heaters. It is an energy efficient alternative for areas where a traditional solar water heater may not be suitable. It uses the heat from the surrounding air to heat your water and provides a reliable, efficient and sustainable way to reduce your water heating energy consumption.

A Heat Pump can work day and night as it extracts heat from the surrounding air and doesn't rely on direct sunlight to operate.

WHY CHOOSE A RHEEM HEAT PUMP?

AmbiPower® MDc-180 Heat Pump has been designed and tested to withstand the harsh Australian conditions:

Rheem Ultramel® exclusive coating, for extended cylinder life and reduces the risk of corrosion.

Microchannel technology provides a larger contact area for more efficient water heating.

Side fan design provides maximum airflow and protects from the rain.

Durable outer shell in coated sheet metal design to reduce corrosion and withstand harsh weather conditions.

COP¹ – The Coefficient of Performance for a Heat Pump is the ratio of how much useful heat it produces for water heating to the power input into the water heater. The higher the COP number, the more efficient the Heat Pump is.

Ambient Air Temperature and Humidity – The performance of a Heat Pump changes with ambient air temperature, humidity and incoming water temperature. The warmer the air temperature, the higher the Relative Humidity and the cooler the water temperature, the higher is the heating rate of the Heat Pump. Performance specifications stated in relation to the Heat Pump are measured at predefined conditions during its testing.

Average Heating Capacity (kW) – This is how much heating power is put into the water during the heating cycle. It is expressed as an average due to the changes in heating power from the refrigeration cycle as the water is being heated and its temperature increases during the heating cycle.

Hot Water Recovery Rate @ 45°C rise (L/hr) – Is the number of litres of water that can be heated through a 45°C temperature rise in one hour, e.g. when the air temperature is 19°C, the Heat Pump can heat 60 litres of water from 15°C to 60°C in one hour.

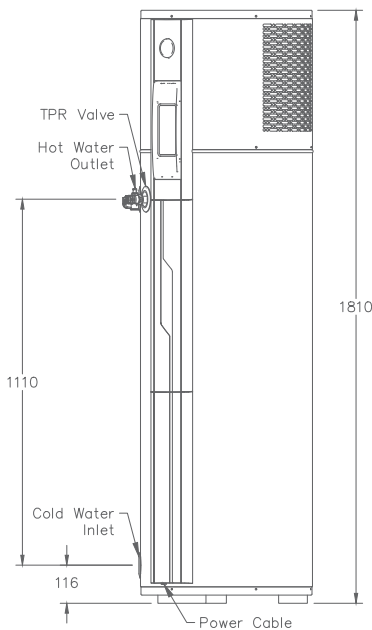
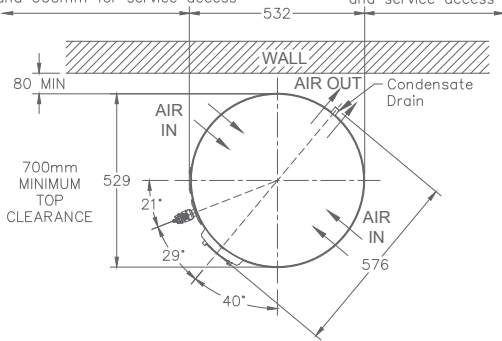
Global Warming Potential (GWP) – The Global Warming Potential (GWP) was developed to allow comparisons of the global warming impacts of different refrigerant gases. Specifically, it measures how much energy the emissions of 1 ton of a gas will absorb over a given period of time, relative to the emissions of 1 ton of carbon dioxide (CO₂). The larger the GWP, the more that a given gas warms the Earth compared to CO₂ over that time period. The time period usually used for GWPs is 100 years. GWPs provide a common unit of measure. GWP of common refrigerants used in heat pumps are R410 - GWP of 2088, R134a - GWP of 1530, R513a - GWP of 631, R290 - GWP of 0.02 and CO₂ - GWP of 1.





AMBIPOWER® MDc-180 HEAT PUMP

minimum clearance from LHS is 500mm for best performance and 600mm for service access
 minimum clearance from RHS is 600mm for best performance and service access



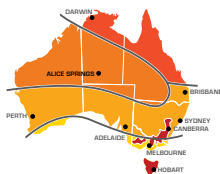
AMBIPOWER® MDc-180		551D180	
MODEL	UNIT	Hardwired	Plug & Lead
PRODUCT RANGE		551D180C5	551D180C3P
Product Code Standard (Mg.) Anode		551D180C5	551D180C3P
Product Code Blue (Al.) Anode		551D180C5/B	551D180C3P/B
Storage capacity	Litres	178	
Boost capacity	Litres	168	
Rated Heat Pump power input	Watts	683	
Coefficient of Performance (@ 19°C) ¹	COP	4.9	
Noise Level (LA90) @ 1 metre ⁶	dB(A)	47	
People per household ⁷		Up to 4	
Element rating	Watts	2400	1400
Recommended electrical circuit	Amps	15A	10A

Dimensions & specifications		
Tank height	mm	1810
Tank width	mm	532
Tank depth	mm	576
Heater weight - cartoned	kg	116
Heater weight - full	kg	284
Water connections & Pressure settings		
Inlet & Outlet		Rp 3/4
TPR Valve setting	kPa	1000
Expansion Control Valve (ECV) setting	kPa	850
Maximum mains supply pressure		
With expansion control valve	kPa	680
Without expansion control valve	kPa	800

BACK-UP ELEMENT RECOVERY RATE @ 240 V AND A TEMPERATURE RISE OF			
Rating (kW)	30°C (litres/hour)	40°C (litres/hour)	50°C (litres/hour)
2.4	69	52	41
1.4	44	33	26

HEAT PUMP PERFORMANCE SPECIFICATIONS 551D180				
Ambient air temperature	Relative Humidity	Average heating capacity (kW)	Recovery Rate @ 45°C rise (L/hr)	Coefficient of Performance
R513a	R513a	R513a	R513a	R513a
6°C	88%	2.3	45	4.3
19°C	66%	3.2	61	4.9

- ZONE 1
- ZONE 2
- ZONE 3
- ZONE 4
- ZONE 5



STCs Small-scale Technology Certificates (STCs) provide a financial incentive to encourage the installation of Solar and Heat Pump water heaters provided under a Federal Government legislated scheme.

This map shows the climate Zones within Australia which will define the number of STCs allocated to an approved heat pump water heater. The country is divided into climate zones for STC creation: 4 for Solar and 5 for Heat Pumps.

For more information on STCs visit www.rheem.com.au/rheem/help/offers-and-incentives/stcs

- The COP of 4.9 is the average value in the AS/NZS5125 performance test at 19°C ambient temperature over the entire heat-up process. Note that the actual COP of the product at any given time will be impacted by a number of factors, including the ambient and cold-water inlet temperatures at the place of installation and time of day/season of operation.
- The specified -7°C to 43°C temperature range is the operational range of the Heat Pump. The electric element activates when the ambient air temperature is outside this range and heating of the water is required.
- Warranty limits regarding water chemistry. Harsh water regions – the Rheem warranty may not apply if the water heater is connected to a water supply which has a Total Dissolved Solids content >2500mg/L; is scaling with a Saturation Index >+0.8; or, is corrosive with a Saturation Index <-1.0.
- Energy savings of up to 70% are based on Australian Government approved TRNSYS simulation modelling using a medium load in Zone 3 and apply when replacing an electric water heater of similar size with a Rheem 551D180 Heat Pump water heater. Any savings will vary depending upon your location, type of water heater being replaced, hot water consumption and fuel tariff. Before installation - seek advice as to suitability to household usage and tariffs. The impact on an electricity account will depend on the tariff arrangement of the water heater being replaced and where you live. The water heater is recommended for connection to an uninterrupted 24 hour continuous tariff power supply. Depending upon the size of the household and its hot water requirements and if the Electricity Retailer permits, an extended off-peak (overnight and day) or Extended time controlled power supply connection of a minimum 16 hours per day may also be suitable. Before purchase consult your energy provider for more information on cost comparisons.
- Warranty Periods: 7 years supply on cylinder, 3 years labour on cylinder, 3 years supply on sealed system including labour, 1 year supply and labour on all other parts. Applies to a single-family domestic dwelling only. Conditions apply. See the Rheem warranty set out in the Owner's Guide and Installation Instructions or view at www.rheem.com.au/warranty
- A Noise Level (LA90) of 47 dB(A) was measured at 1m from the water heater during a Noise Test conducted to Standard GB/T 23137-2008 in a hemi-anechoic chamber within a laboratory. The noise level when installed may be higher due to sound reflections from adjacent walls and structures.
- No. of people recommended based on 7 min showers @ 42°C. Appliances using hot water should be counted as one (1) person.

®Registered Trade mark of Rheem Australia Pty Ltd. ™ Trade mark of SAI Global. A Greater Degree of Good is a Trade mark of Rheem Manufacturing Company. Materials and specifications are subject to change without notice.



A Greater Degree of Good™ represents our global commitment to sustainability.



Rheem Australia Pty Ltd.
 1 Alan Street, Rydalmere,
 NSW 2116 Australia
 PO Box 7508, Silverwater
 NSW 2128 Australia
www.rheem.com.au



RHEE41-MAR2026-BELONG

COMES ON STEADY, HOT AND STRONG

INSTALL A

