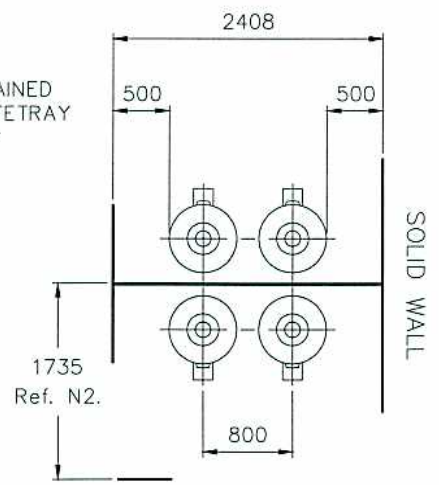
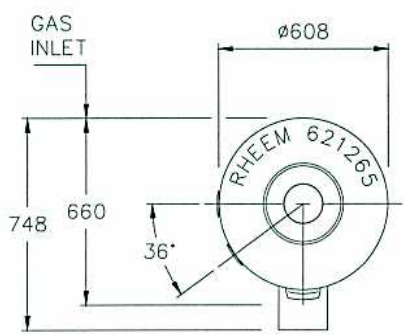
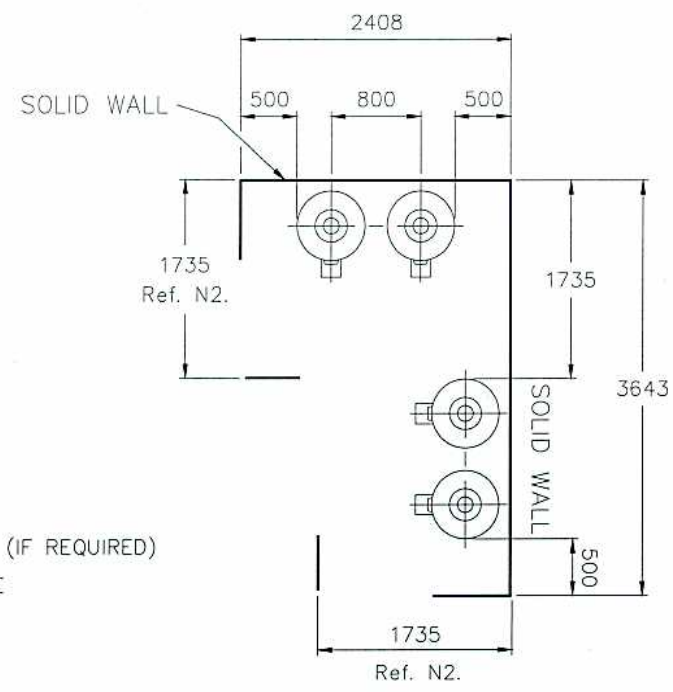
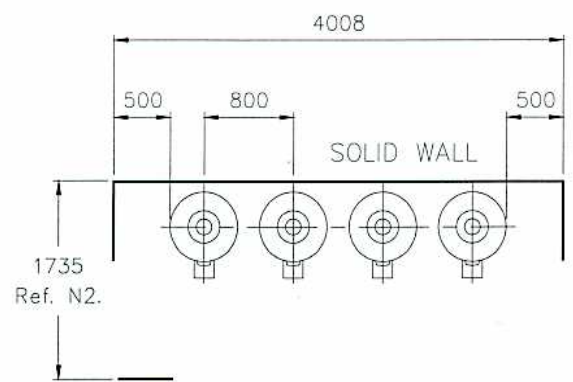
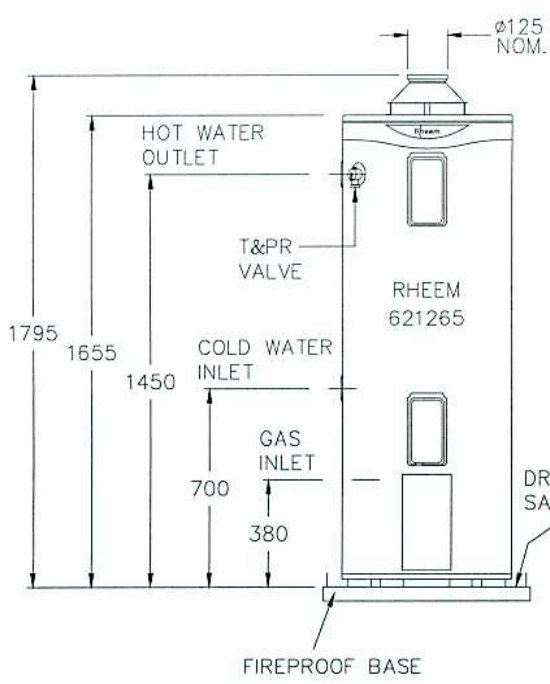


INDOOR MODEL

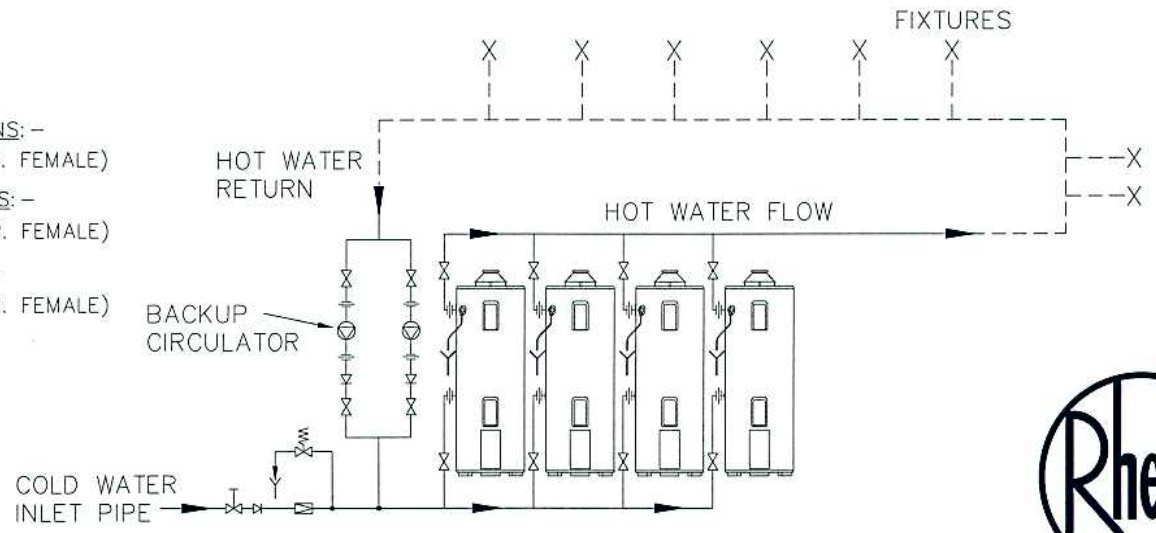


LEGEND

- STOP COCK
- NON RETURN VALVE
- PRESSURE LIMITING VALVE (IF REQUIRED)
- COLD WATER RELIEF VALVE
- GATE VALVE
- CIRCULATOR
- FIXTURES
- DIRECTION OF FLOW
- UNION
- TUNDISH

- INLET OUTLET CONNECTIONS: -
 RP 1 1/4 / 32 (1 1/4" B.S.P. FEMALE)
- T&PR VALVE CONNECTIONS: -
 RP 3/4/20 (3/4" B.S.P. FEMALE)
- GAS INLET CONNECTION: -
 RP 3/4/20 (3/4" B.S.P. FEMALE)
- T&PR VALVE SETTING: -
 1000 kPa

- NOTES:
- N1. MINIMUM SPACE BETWEEN WALL AND BACK OF WATER HEATER IS 100mm.
 - N2. A MINIMUM OF 900mm SHOULD BE LEFT IN FRONT OF THE WATER HEATER FOR ACCESS, SERVICING AND WATER HEATER REMOVAL.



RHEEM WATER HEATERS HEAVY DUTY GAS 4 x 621265