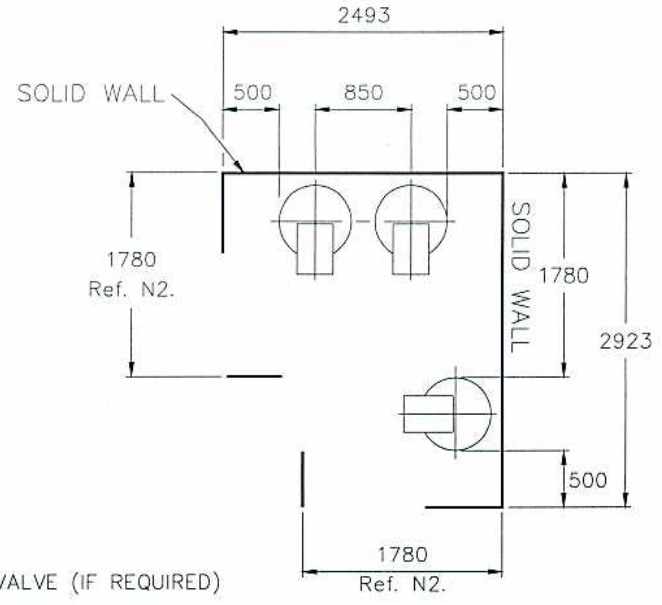
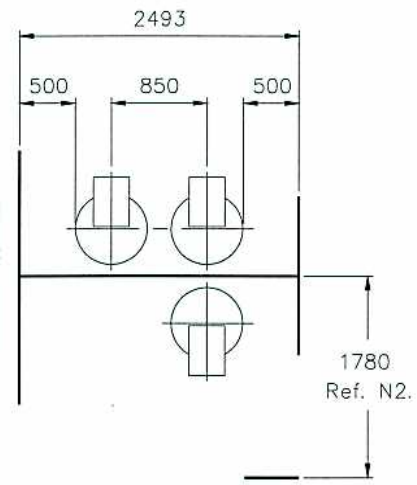
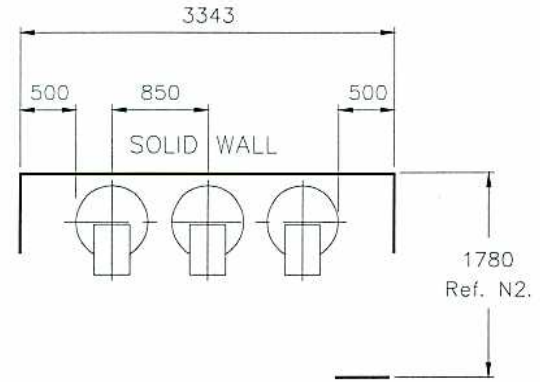
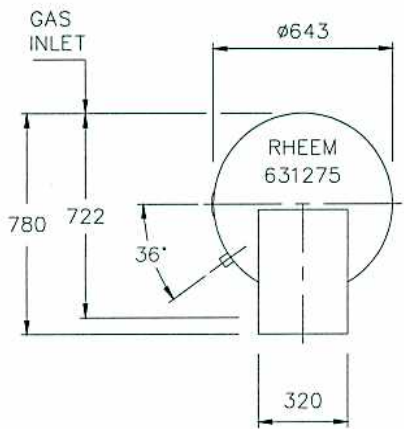
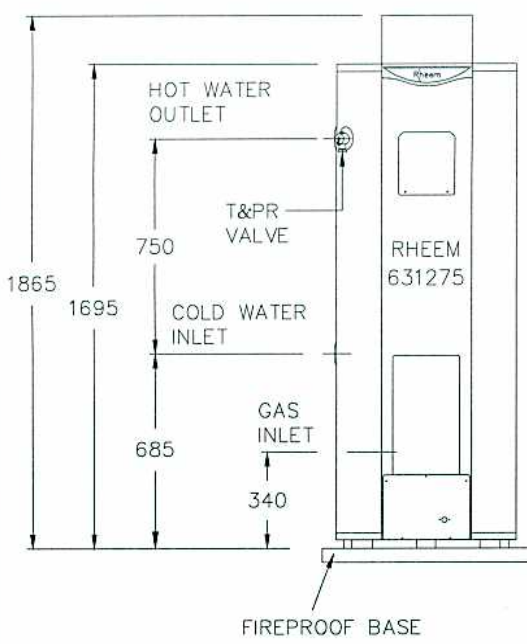


OUTDOOR MODEL



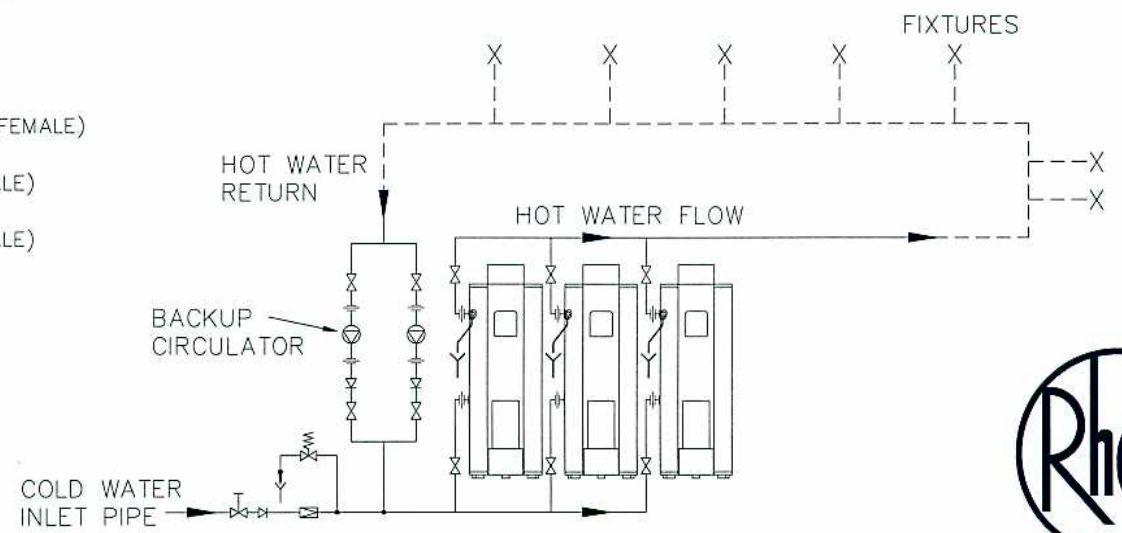
LEGEND

- STOP COCK
- NON RETURN VALVE
- PRESSURE LIMITING VALVE (IF REQUIRED)
- COLD WATER RELIEF VALVE
- GATE VALVE
- CIRCULATOR
- FIXTURES
- DIRECTION OF FLOW
- UNION
- TUNDISH

**INLET OUTLET CONNECTIONS: -**  
 RP1-1/4/32 (1-1/4" B.S.P. FEMALE)  
**TPR VALVE CONNECTION: -**  
 RP3/4/20 (3/4" B.S.P. FEMALE)  
**GAS INLET CONNECTION: -**  
 RP3/4/20 (3/4" B.S.P. FEMALE)  
**TPR VALVE SETTING: -**  
 1000 kPa

NOTES:

- N1. MINIMUM SPACE BETWEEN WALL AND BACK OF WATER HEATER IS 100mm.
- N2. A MINIMUM OF 900mm SHOULD BE LEFT IN FRONT OF THE WATER HEATER FOR ACCESS, SERVICING AND WATER HEATER REMOVAL.
- N3. EXTERNAL WATER HEATERS MUST BE INSTALLED WITH THE BACK OF THE WATER HEATER AGAINST A SOLID WALL.



**RHEEM WATER HEATERS HEAVY DUTY GAS 3 x 631275**