

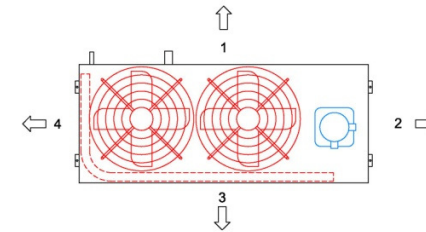
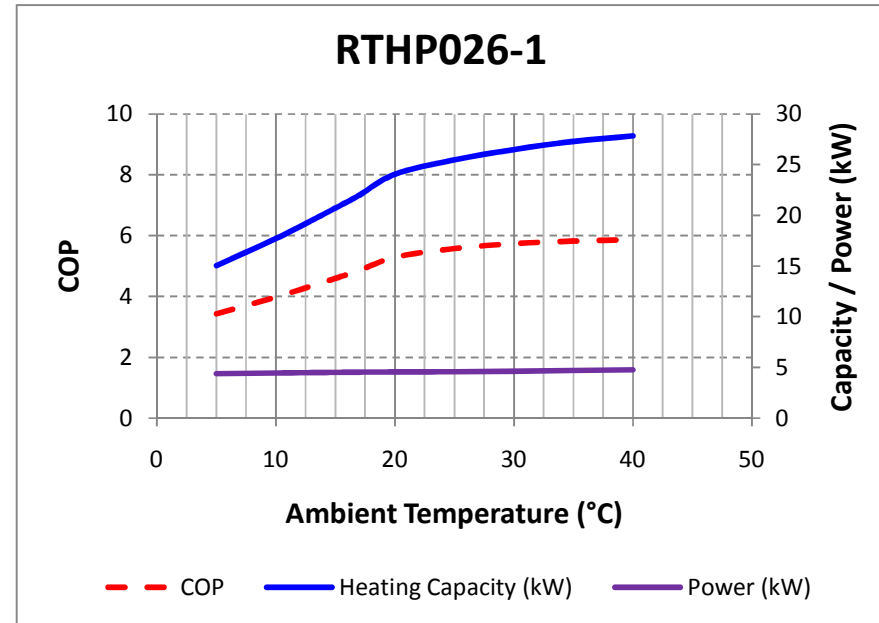
**POOL HEAT PUMP SPECIFICATIONS**

**RTHP026-1**

<b>ELECTRICAL INPUT</b>		
Voltage / Phase	240 V / 1 Phase / 50 Hz	
Full Load Amps Per Phase	27.28 Amps	
Min. Circuit Size	40 Amps	
Refrigerant	R407C	
Nominal Heating capacity	25.48 kW	
Power input	4.57 kW	
COP	5.58	
Noise Level	51 dBa @ 3 m	
Rated Load Amps @ 12°C SST / 45°C SCT	18.63 Amps	
<b>TECHNICAL DATA</b>	<b>Compressor</b>	<b>Fan</b>
Make	Copeland	EBM-Papst
Type	Scroll 20007	Axial
Number Per Unit	1	2
FLA (Full Load Amps)	26.0 Amps	0.64 Amps (Each)
Voltage / Phase	240 V / 1 Phase	240 V / 1 Phase
Pole/RPM	2/2,900	6/890
Air Flow	N/A	1835 l/s
<b>HEAT EXCHANGER (Water Side)</b>		
Type of Water Tube	Titanium	
Design	Shell and Tube	
Flow Rate Excl. By Pass	2.8 l/s	
Max. Outlet Water Temp	42°C	
Design Temperature difference	2.17 °K	
Design Pressure Drop	40 k.P.a	
Max. Operating Pressure	300 k.P.a	
<b>GENERAL INFORMATION</b>		
Water Connections	40 mm PVC	
Drain	20mm PVC	
Defrost	Reverse cycle	
Cabinet Construction	1.2mm Stucco Aluminium	
Approx. shipping weight	145 kg	
Size L x W x H	1487 mm x 615 mm x 990 mm	

**COP GRAPH**

**RTHP026-1**



**UNIT CLEARANCES**

**RTHP026-1**

Direction	Description	Minimum Clearance Required
1	Water connections	200 mm
2	Compressor Access	850 mm
3	Evaporator coil	1000 mm
4	Evaporator coil	1000 mm
5	Top – Fan Discharge	2500 mm

When units placed side by side allow 2000mm clearance between evaporator coils. Rating Conditions: 27°C DB / 22°C WB / 27°C water inlet.



**Manufactured In Australia by Rheem Thermal**



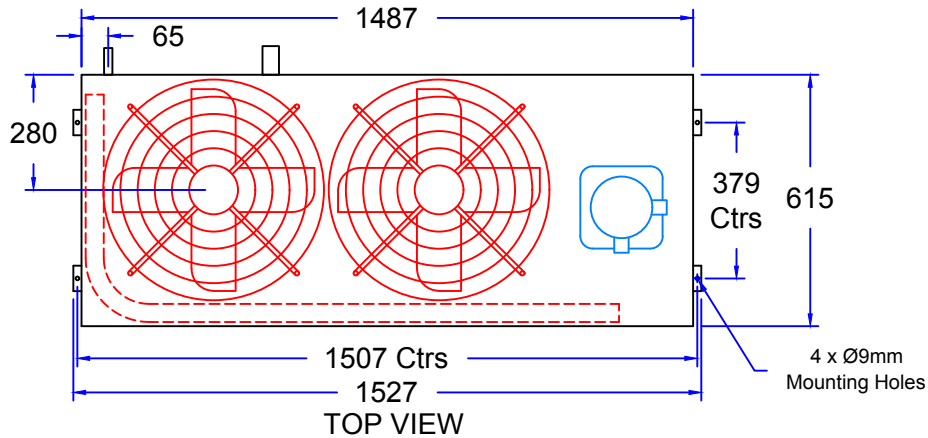
**Rheem**  
THERMAL SYSTEMS GROUP

# POOL HEAT PUMP DIMENSIONS

## 1 PHASE

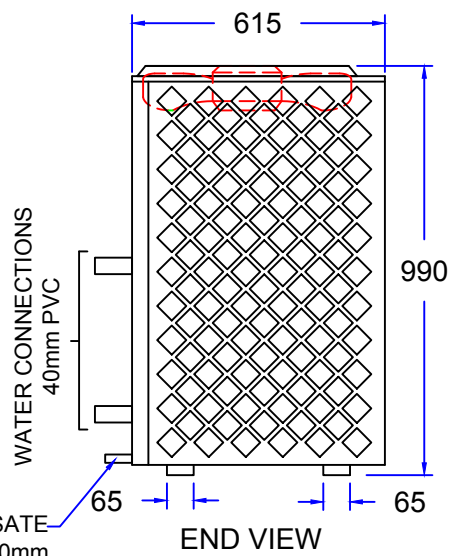
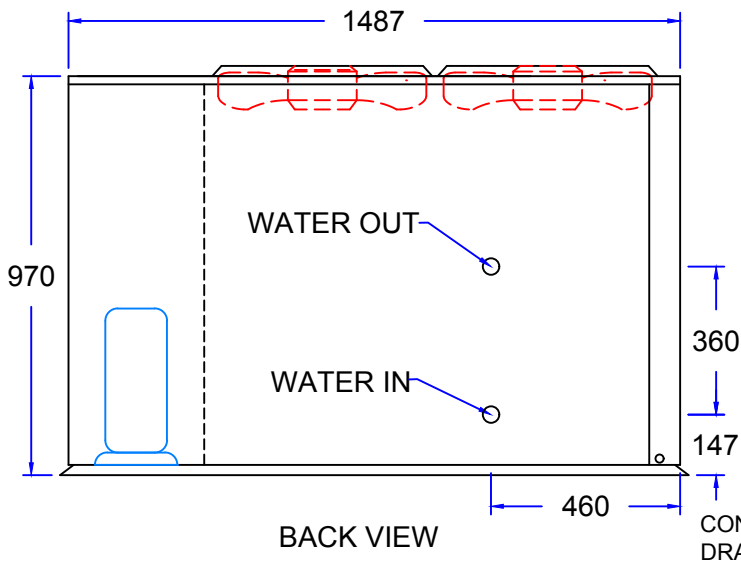
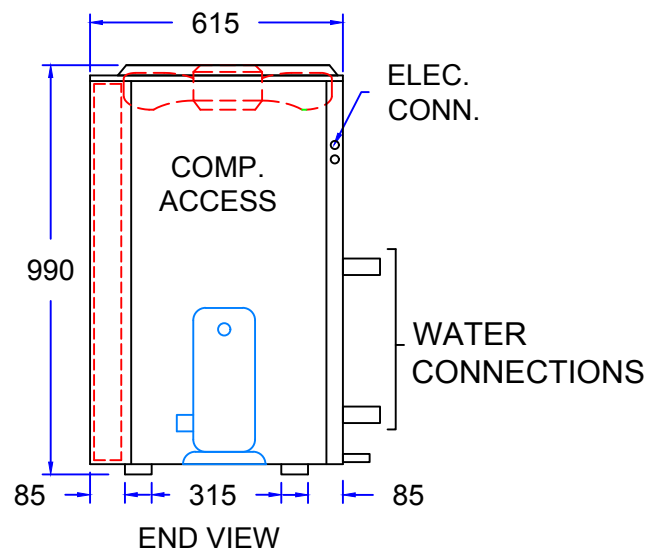
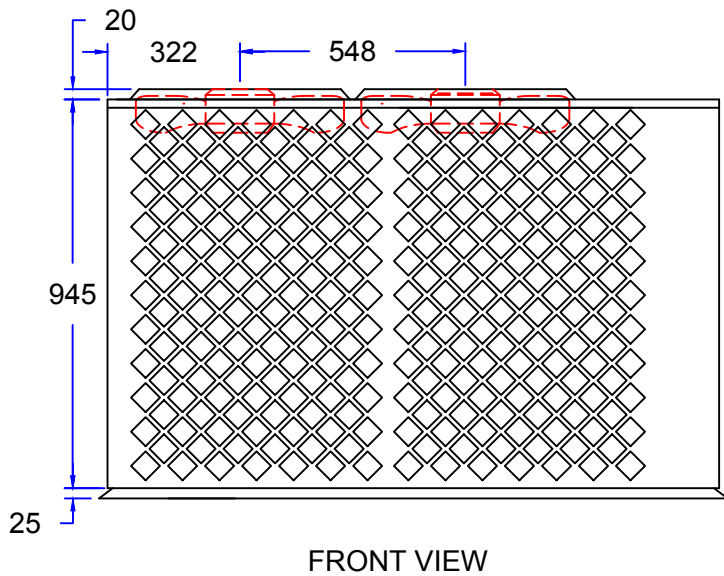
## RTHP026-1

STANDARD DESIGN CONFIGURATION



### POOL HEAT PUMP

PHYSICAL SIZE (mm)		
L x W x H	1487 x 615 x 990	
	kW	WEIGHT
RTHP026-1	25.5	140.0 kg



**Rheem**  
THERMAL SYSTEMS GROUP

43 Marigold Street  
Revesby NSW 2212  
Australia  
Phone: +61 2 9684 3684  
Fax: +61 2 9684 3698

### RTHP026-1

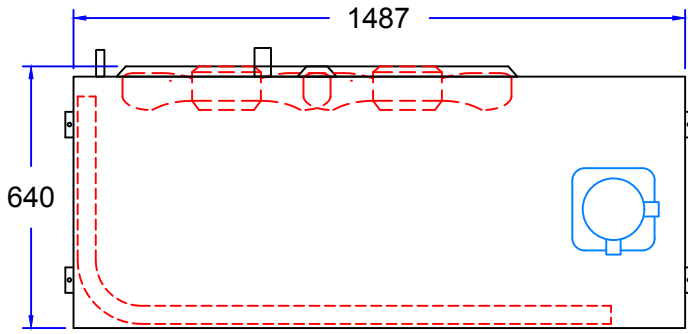
REF. DWG  
RTHP026-1-D04

Date  
2/05/2018

Drawn  
JB

<b>POOL HEAT PUMP DIMENSIONS</b>	<b>1 PHASE</b>	<b>RTHP026-1H</b>
----------------------------------	----------------	-------------------

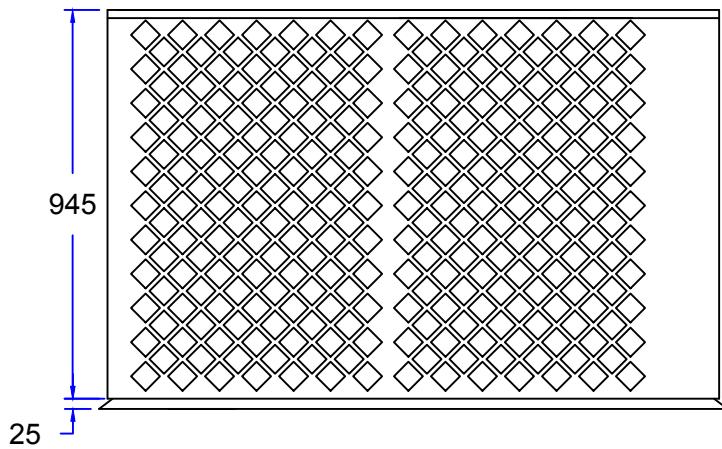
STANDARD DESIGN CONFIGURATION



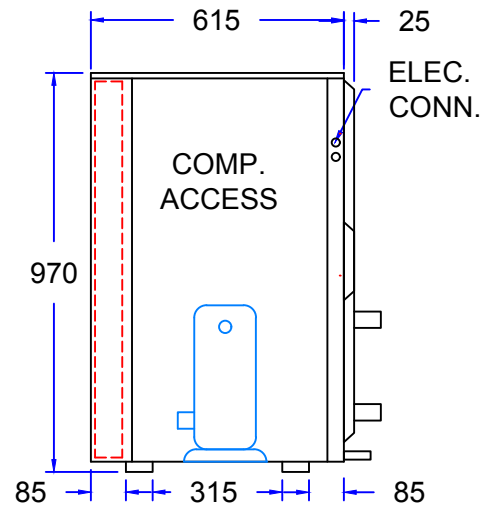
TOP VIEW

**POOL HEAT PUMP**

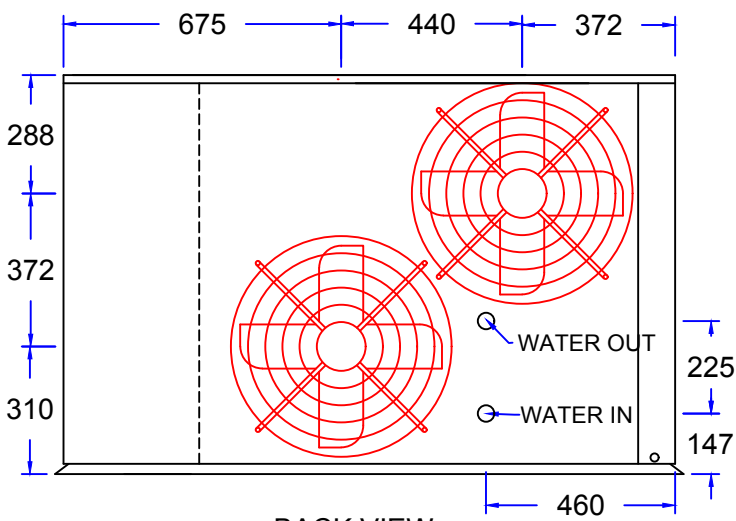
PHYSICAL SIZE (mm)		
L x W x H	1487 x 615 x 990	
	kW	WEIGHT
RTHP026-1H	25.5	140.0 kg



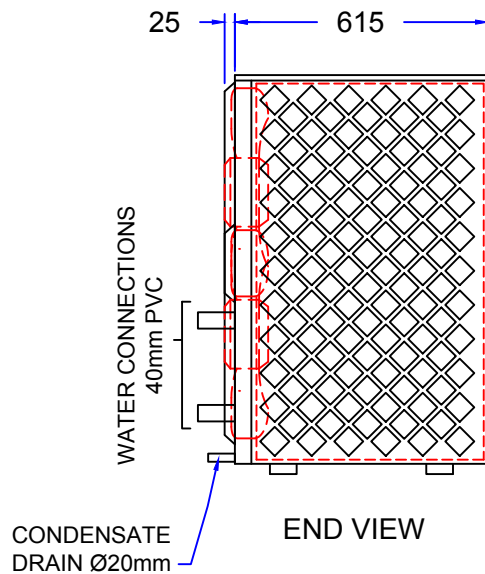
FRONT VIEW



END VIEW



BACK VIEW



END VIEW

<p style="font-size: 1.2em; font-weight: bold;">Rheem</p> <p>THERMAL SYSTEMS GROUP</p>	<p>43 Marigold Street Revesby NSW 2212 Australia Phone: +61 2 9684 3684 Fax: +61 2 9684 3698</p>	RTHP026-1H	
		<p>REF. DWG RTHP026-1-D05</p>	<p>Date 2/05/2018</p>

Unit specifications are subject to change without notice.

# HOT WATER PUMP WIRING

1 PHASE

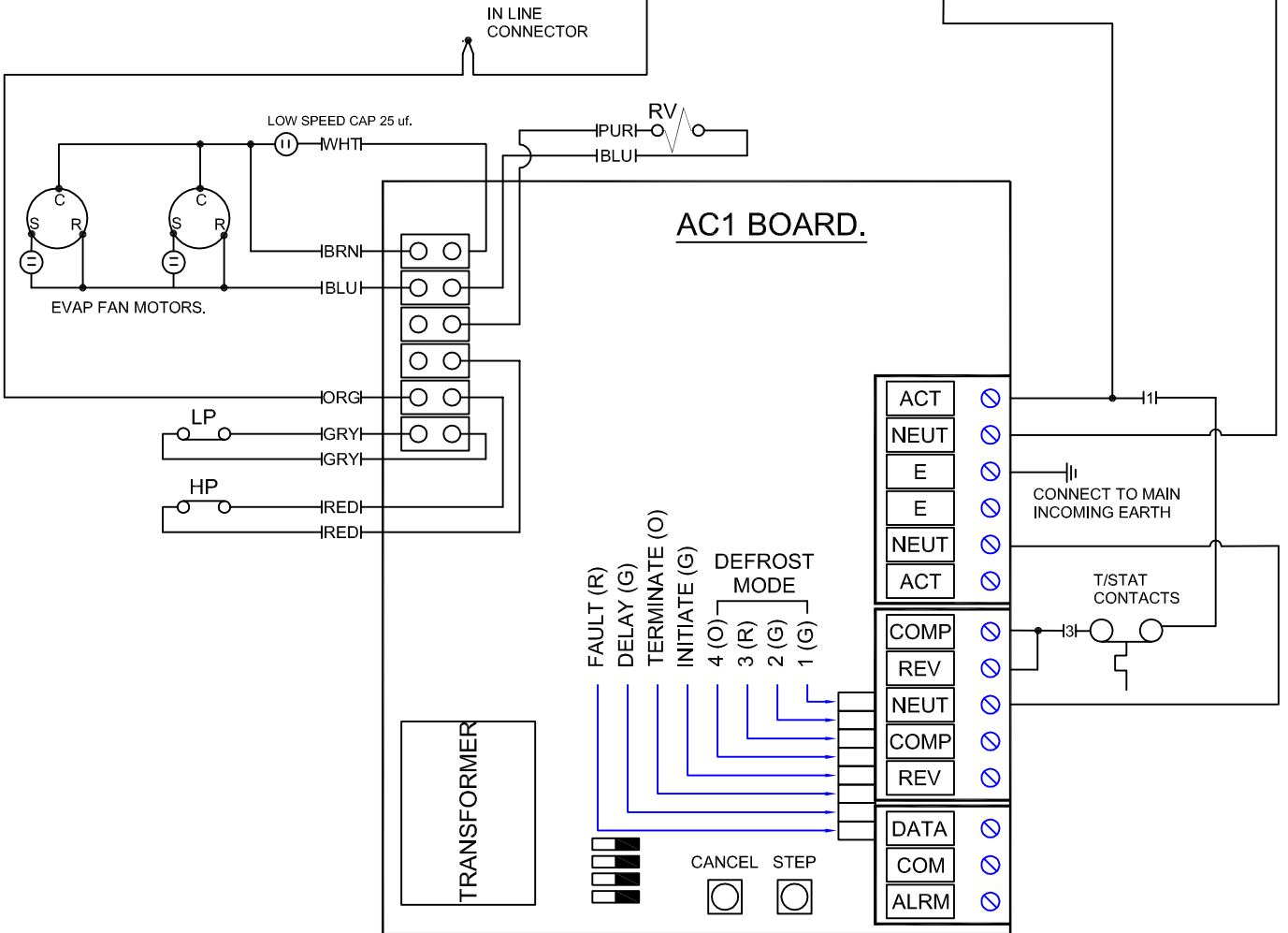
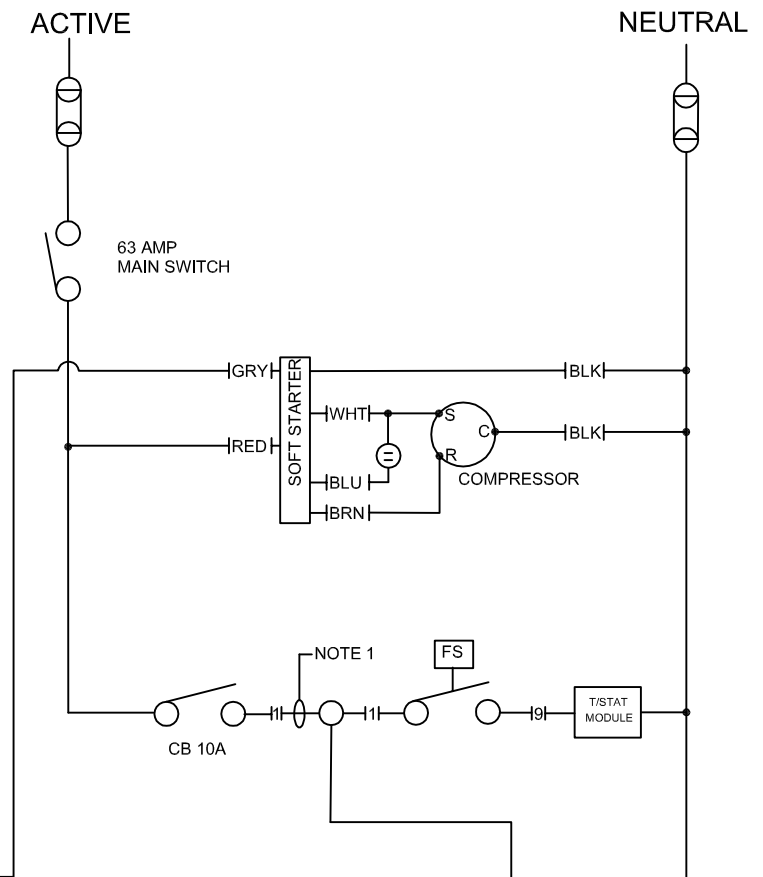
RTHP026-1

FUNCTIONS	LABELS	LEDS
MINIMUM RUN TIME-----	1	GREEN
DE-ICE CONFIRM TIME-----	2	GREEN
DE-ICE-----	3	RED
DE-WATER/PRE-HEAT(BLINKS)---	4	ORANGE
SENSOR BELOW 5°C-----	INIT	GREEN
SENSOR BELOW 12°C-----	TERM	ORANGE
COMPRESSOR START DELAY---	DEL	GREEN
SENSOR HP/LP FAULT-----	FAULT	RED

TABLE A2		
	CANCEL:	CANCEL COMPRESSOR CYCLE DELAY AND HP/LP TRIP TIMEOUT
	STEP:	STEP THROUGH DE-ICE MODES, SENSOR MUST BE BELOW 10°

LEGEND	
C1	COMPRESSOR CONTACTOR
CB	CIRCUIT BREAKER
HP	HIGH PRESSURE SWITCH
LP	LOW PRESSURE SWITCH
RV	REVERSING VALVE
FS	FLOW SWITCH
	COMP. CONTACTOR COIL

**NOTE:**  
1) REMOVE BRIDGE IF CONTROL ISOLATOR IS FITTED



**Rheem**  
THERMAL SYSTEMS GROUP

21 Atkinson Street  
Liverpool NSW 2170  
Australia  
Phone: +61 2 8706 8400  
Fax: +61 2 9602 8477

RTHP026-1

REF. DWG  
RTHP026-1-D01

Drawn  
B. Fleming

Date  
16/3/2016