



TOR SECTIONAL

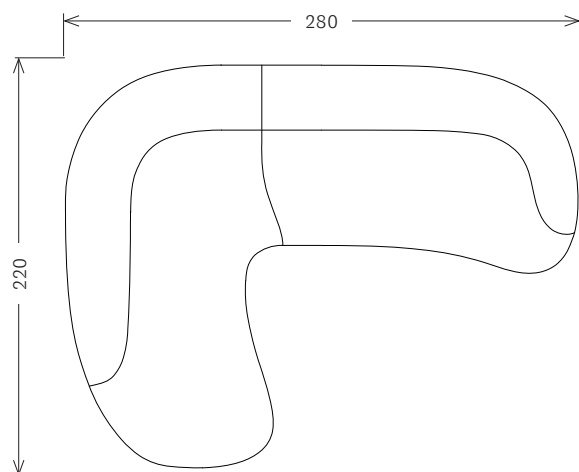
An elegant sweeping form, the Tor Sectional fuses comfort and scale. With a fully hand-sprung seat and sprung back, this graceful interplay of flowing lines is handcrafted to create impact. A generous and adaptable design, its organic profile offers multiple configurations for versatility within any space. With a full seat and natural upholstery fillings, free from FR chemicals, the Tor Sectional is spacious, sculptural simplicity.

- Handmade in London
- All pieces made to order in 10-12 weeks

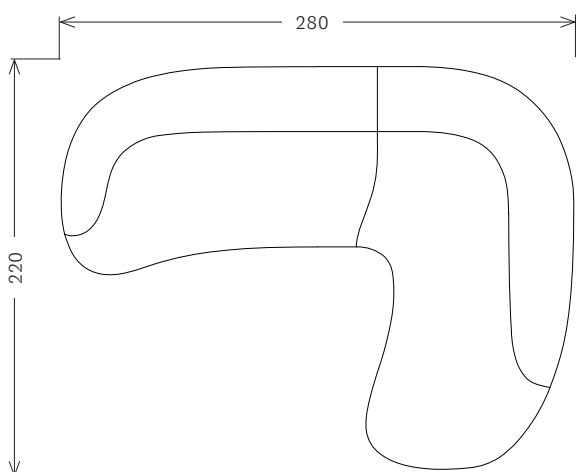
DIMENSIONS:

Offered in a variety of lengths, please see configuration sheet

Overall Height: 76cm
Seat height: 42cm
Seat Depth: 63-67cm



Configuration as seen in image above
Left sided configuration.



Right sided configuration.

CONSTRUCTION

Hybrid frame built with solid beech and CNC-cut cabinet grade plywood components. Fully hand sprung seat with sprung back and arms.

UPHOLSTERY

Natural upholstery fillings combining hair, latex and wool. Free from FR chemicals when upholstered in a Sedilia house fabric.

FABRIC

Supplied by Sedilia or COM

TIMBERS



Solid European Oak
Natural Oil Finish



Solid American Black Walnut
Smoke and Oil Finish



Solid London Plane
Natural Oil Finish

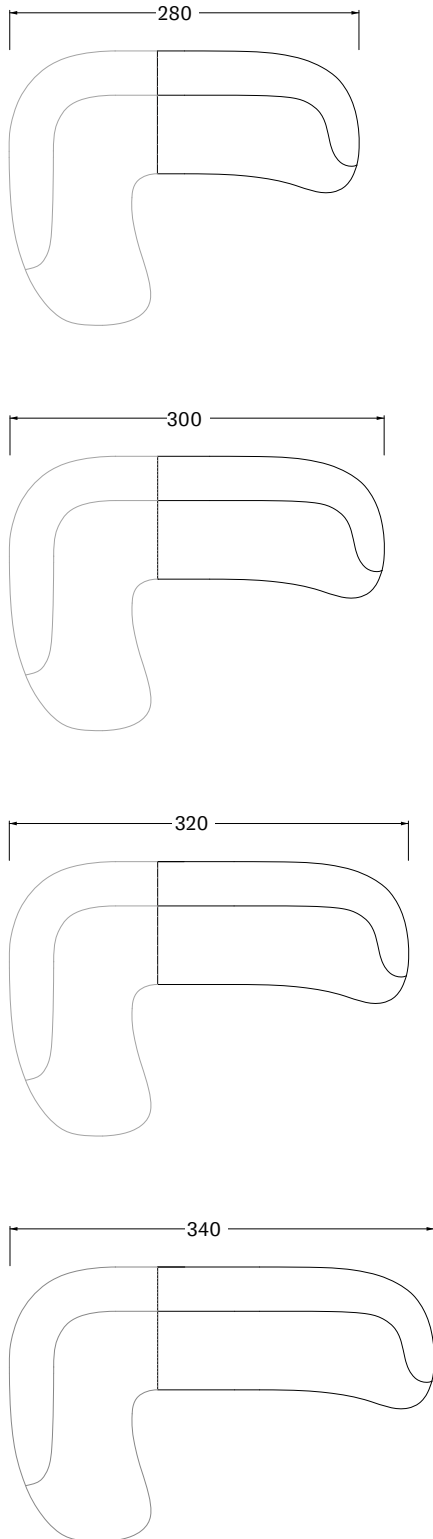


Solid American Black Walnut
Natural Oil Finish

TOR SECTIONAL Configuration Options

Length A and Length B are available in the dimensions shown here or any combination thereof. Right sided configurations are also available, please get in touch to discuss a configuration to work with your space.

Length A



Length B

