



## FACET CHAIR

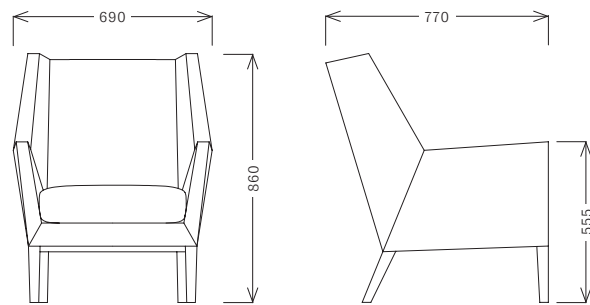
Inspired by the geometry of mid-century Scandinavian furniture, the Facet Chair blends crisp tailored lines with supremely soft leather. Designed to catch both light and shadow, the distinctive angles of this hand-built frame conceal a fully sprung back and seat, with a cushion wrapped in pure down.

- Handmade in London
- All pieces made to order in 10-12 weeks

### DIMENSIONS:

690mm (W) x 770mm (D) x 860mm (H)

Arm height: 555mm  
Seat height: 380mm  
Seat depth: 510mm



### CONSTRUCTION

Hybrid frame built with solid Beech and CNC cut cabinet grade birch plywood components. Fully sprung seat and back.

### CUSHION

Layered foam with pure down wrap

### FABRIC

Supplied by Sedilia or COM  
Requires 4m of plain fabric / 70 sq.ft leather

### TIMBERS

-  Solid European Oak  
Natural Oil Finish
-  Solid European Black Walnut  
Natural Oil Finish
-  Solid European Black Walnut  
Smoke and Oil Finish

*Custom sizing and finishing upon request.*