



FACET CHAIR

Retail price starting from £5170 inc. VAT, excluding fabric/leather

Inspired by the geometry of mid-century Scandinavian furniture, the Facet Chair blends crisp tailored lines with supremely soft leather. Designed to catch both light and shadow, the distinctive angles of this hand-built frame conceal a fully sprung back and seat, with a cushion wrapped in pure down.

- Handmade in London
- All pieces made to order in 10-12 weeks

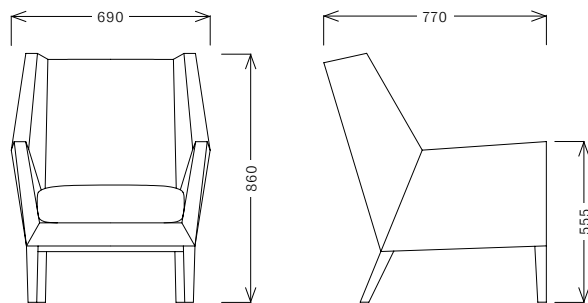
DIMENSIONS:

690mm (W) x 770mm (D) x 860mm (H)

Arm height: 555mm

Seat height: 380mm

Seat depth: 510mm



CONSTRUCTION

Hybrid frame built with solid Beech and CNC cut cabinet grade birch plywood components. Fully sprung seat and back.

CUSHION


Layered foam with pure down wrap

FABRIC


Supplied by Sedilia or COM

Requires 4m of plain fabric / 70 sq.ft leather

TIMBERS

 Solid European Oak
Natural Oil Finish

 Solid European Black Walnut
Natural Oil Finish

 Solid European Black Walnut
Smoke and Oil Finish

Custom sizing and finishing upon request.