



## SENNEN SECTIONAL

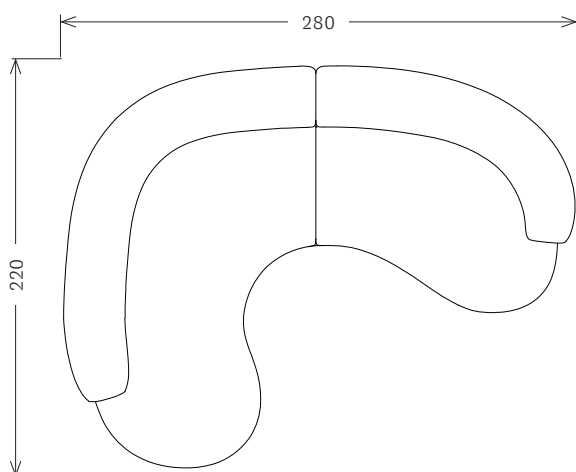
The Sennen Sectional has been designed to be a striking centrepiece. With the versatility of multiple configurations, it can be tailored to suit any interior and lifestyle. The sofa has a choice of two arm designs – the curved arm creates a comfy cocooning corner, ideal for relaxing, or the open arm, where the seat flows forward, offering into the room. Made up of two sections, each available in a variety of lengths, they combine to create bold sweeping curves, both front and back. A considered sculptural form the Sectional is beautiful to view from all angles, with seat cushions wrapped in pure down it creates a vast corner of comfort.

- Handmade in London
- All pieces made to order in 10-12 weeks

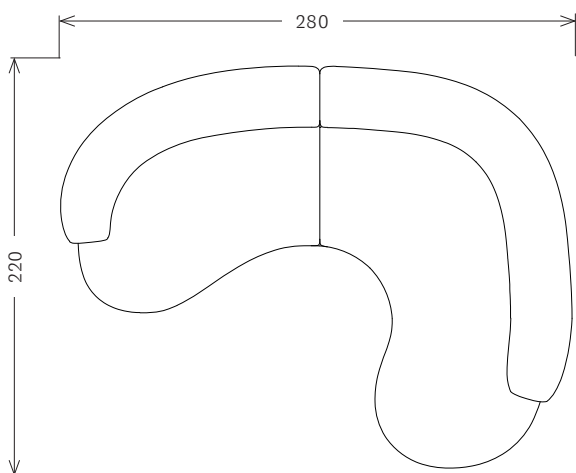
### DIMENSIONS

Offered in a variety of lengths, please see configuration sheet

Overall Height: 70cm  
Arm height: 70cm  
Seat height: 42cm



Configuration as seen in image above  
Left sided configuration.



Right sided configuration.

### CONSTRUCTION

Hybrid frame built with solid beech and CNC-cut cabinet grade plywood components. Fully hand sprung seat with sprung back and arms.

### CUSHION

Layered foam with pure down wrap

### FABRIC

Supplied by Sedilia or COM  
Fabric must be a minimum of 138cm wide

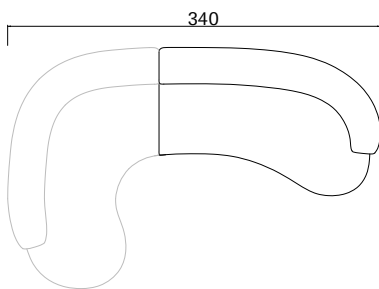
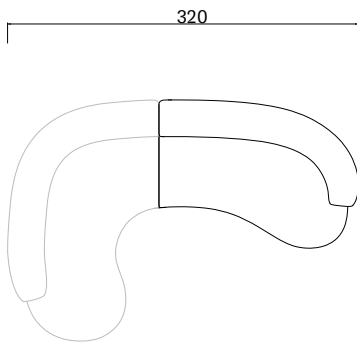
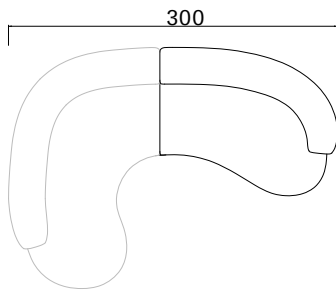
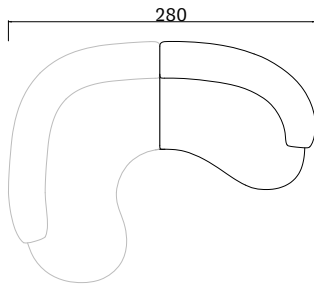
### TIMBERS

-  Solid European Oak  
Natural Oil Finish
-  Solid American Black Walnut  
Natural Oil Finish
-  Solid American Black Walnut  
Smoke and Oil Finish

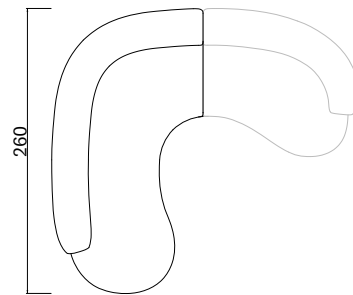
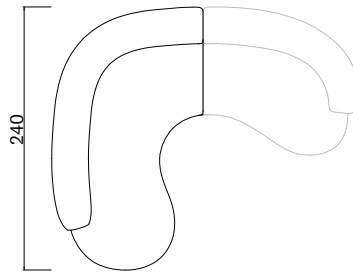
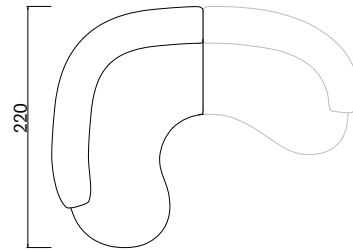
## SENNEN SECTIONAL Configuration Options

Length A and Length B are available in the dimensions shown here or any combination thereof. Right sided configurations are also available, please get in touch to discuss a configuration to work with your space.

Length A  
Curved Arm



Length B  
Open Arm



Length B  
Curved Arm

