

SENNEN SWIVEL TUB CHAIR

The joyful sensation of sinking back into a sumptuous swivel chair never gets boring. The Sennen Tub has been designed with versatility in mind. Its compact, rounded silhouette is neatly proportioned and scaled to suit almost any interior space. The hidden mechanism was developed with metalwork specialists in the U.K. and guarantees silent, smooth and frictionless movement, expertly engineered for an everlasting spin.

- Handmade in London
- All pieces made to order in 10-12 weeks

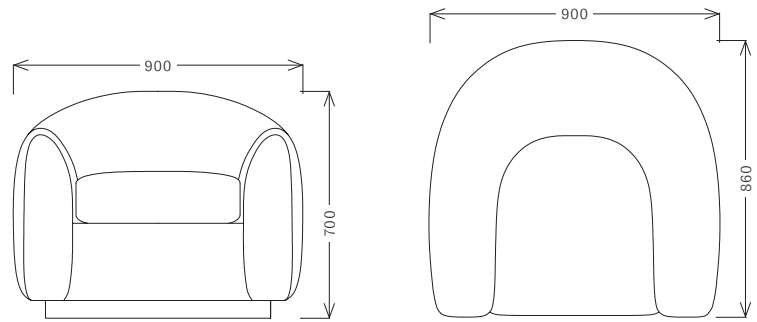
DIMENSIONS:

900mm (W) x 860mm (D) x 700mm (H)

Arm Height: 590mm

Seat height: 420mm

Seat depth: 550mm



CONSTRUCTION

Hybrid frame built with solid beech and CNC-cut cabinet grade birch plywood components. Fully sprung seat and back.

CUSHION

Layered foam with pure down wrap

FABRIC


Supplied by Sedilia or COM

Requires 5m of plain fabric

TIMBERS

 Solid European Oak
Natural Oil Finish

 Solid European Black Walnut
Natural Oil Finish

 Solid European Black Walnut
Smoke and Oil Finish

Custom sizing and finishing upon request.

