



ESS CHAIR

Retail price starting from £2710 inc. VAT, excluding fabric/leather

Designing something that looks elegant from every angle isn't easy. Distinctive and refined, the Ess Chair has been developed to provide timeless versatility. With sweeping back legs, sprung seat and a carefully proportioned curved backrest, it's perfectly poised to provide continuous comfort when used at the dining table, desk or for everyday occasional use.

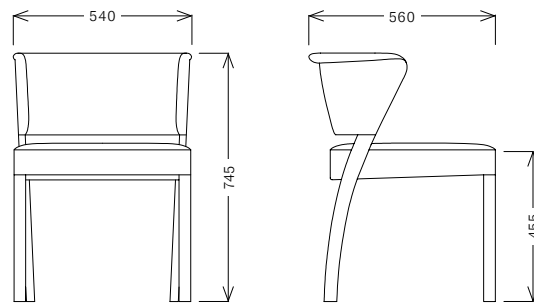
- Handmade in London
- All pieces made to order in 10-12 weeks

DIMENSIONS:

540mm (W) x 560mm (D) x 745mm (H)

Seat height: 455mm

Seat depth: 440mm



CONSTRUCTION

Hybrid frame built with solid Beech and CNC cut cabinet grade birch plywood components. Fully sprung seat.

FABRIC

Supplied by Sedilia or COM

Requires 1.5m of plain fabric / 23sq.ft leather

TIMBERS

-  Solid European Oak
Natural Oil Finish
-  Solid European Black Walnut
Natural Oil Finish
-  Solid European Black Walnut
Smoke and Oil Finish

Custom sizing and finishing upon request.