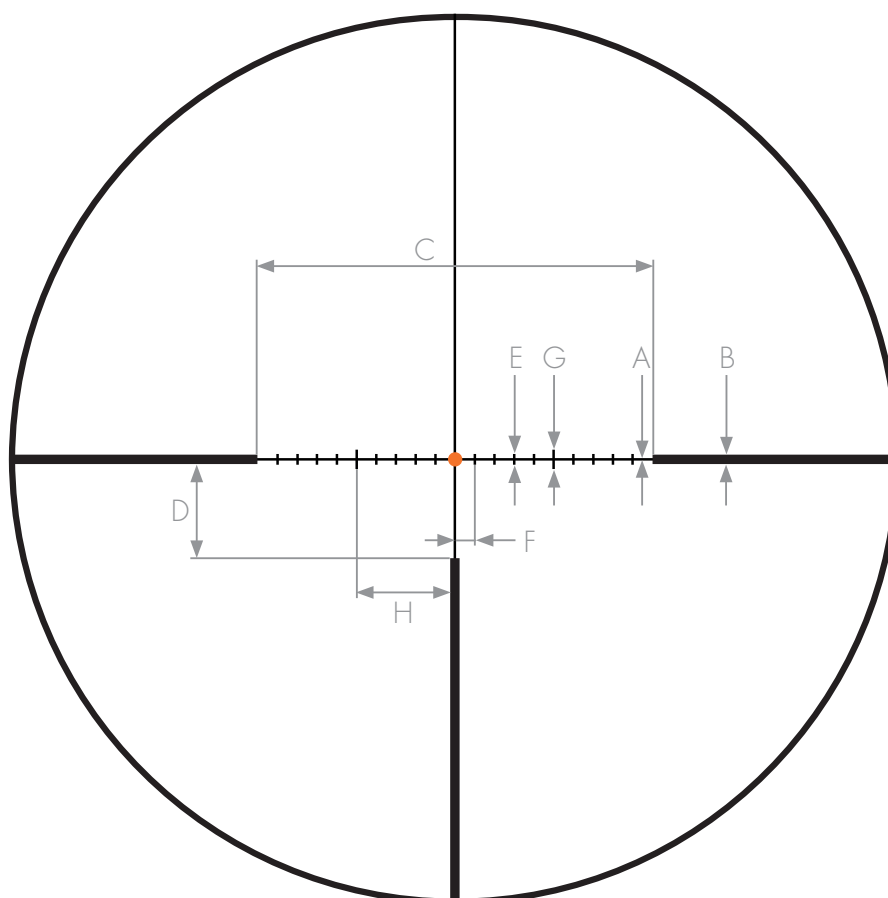


# X5i RIGHT TO THE LIMIT

## 4W-I+

- Reticles that have been optimized for marksmen who adjust the height with the turret and the crosswind with the reticle.
- 2 MOA distances between each windage mark.
- The whole functional area of the reticle is lit up.
- Available for:  
X5i 3,5-18x50 P 1/4 MOA  
X5i 5-25x56 P 1/4 MOA



## SUBTENSION DIMENSION (MOA)

|                 | A    | B    | C    | D    | E   | F   | G   | H    |
|-----------------|------|------|------|------|-----|-----|-----|------|
| X5i 3,5-18x50 P | 0,12 | 0,54 | 40,1 | 10,0 | 1,0 | 2,0 | 2,0 | 10,0 |
| X5i 5-25x56 P   | 0,08 | 0,39 | 39,9 | 10,0 | 0,7 | 2,0 | 1,4 | 10,0 |

As the reticle is located in the second image plane, the data only applies to the highest magnification.

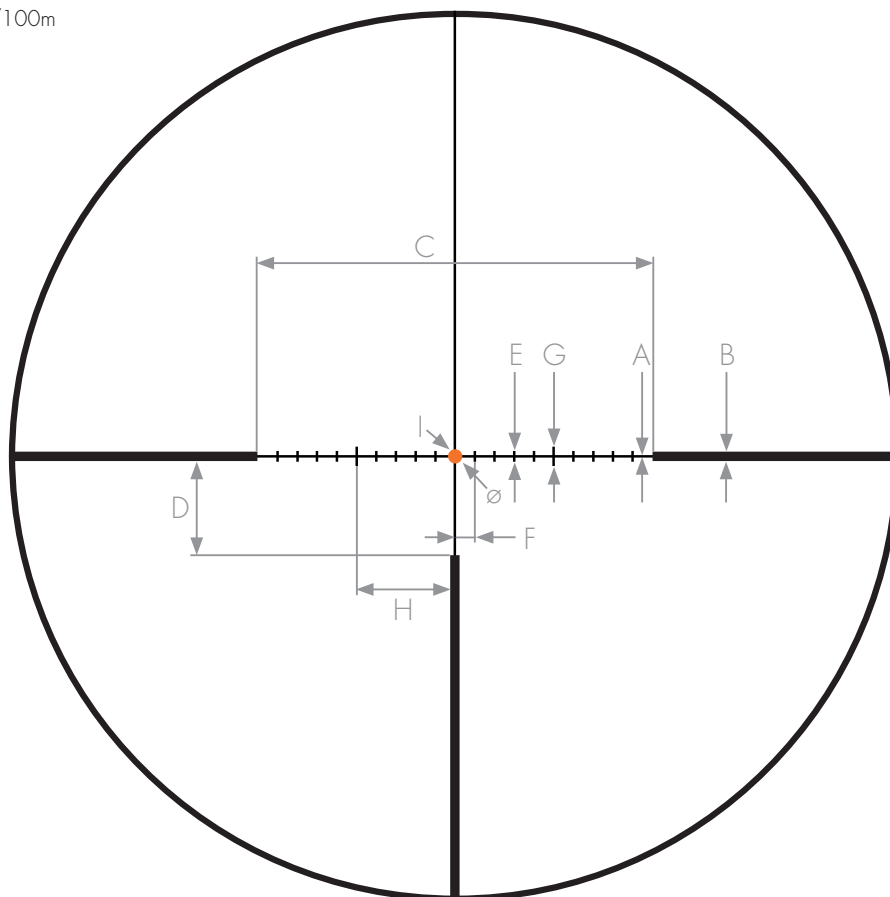
SEE *THE* UNSEEN

  
SWAROVSKI  
OPTIK

# X5i RIGHT TO THE LIMIT

## 4Wm-I+

- Reticles that have been optimized for marksmen who adjust the height with the turret and the crosswind with the reticle.
- 5cm/100m - distances between each windage mark.
- Only the central aiming point of the night reticle is illuminated.
- Due to the linear scales, necessary adjustments to the impact point can be quickly measured with the reticle and transferred to the turret.
- Available for:  
X5i 3,5-18x50 P 5cm/100m  
X5i 5-25x56 P 5cm/100m



## SUBTENSION DIMENSION (cm/100m)

|                 | A   | B   | C     | D    | E   | F   | G   | H    | I   |
|-----------------|-----|-----|-------|------|-----|-----|-----|------|-----|
| X5i 3,5-18x50 P | 0,3 | 2,6 | 100,0 | 30,0 | 2,5 | 5,0 | 5,0 | 25,0 | 0,8 |
| X5i 5-25x56 P   | 0,2 | 1,1 | 100,0 | 30,0 | 2,5 | 5,0 | 5,0 | 25,0 | 0,6 |

As the reticle is located in the second image plane, the data only applies to the highest magnification.

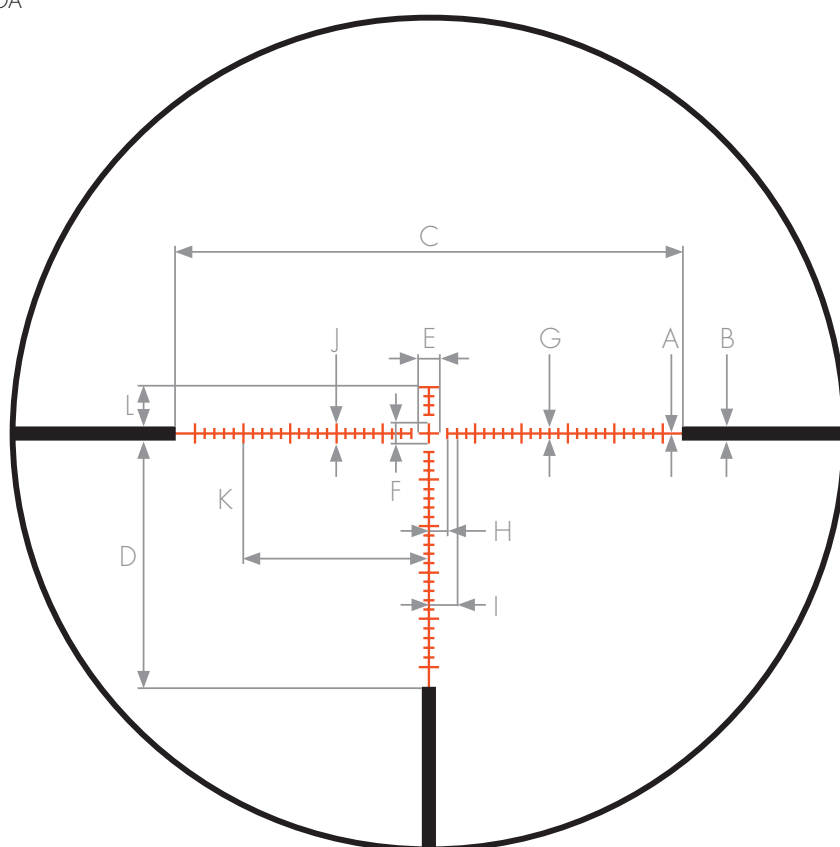
SEE *THE* UNSEEN

  
SWAROVSKI  
OPTIK

# X5i RIGHT TO THE LIMIT

## 4WX-I+

- Developed for accurate aiming and estimating distances.
- Distances of 1 MOA between each marking offer maximum accuracy even over long distances.
- The floating crosshair allows you to aim accurately even at the smallest targets, offering the best possible visibility of the target.
- The whole functional area of the reticle is lit up.
- To ensure maximum versatility, the sight-in distance can be made shorter using the adjustment line above the main aiming point.
- Due to the linear scales, necessary adjustments to the impact point can be quickly measured with the reticle and transferred to the turret.
- Available for:  
X5i 3,5-18x50 P 1/4 MOA  
X5i 5-25x56 P 1/4 MOA



## SUBTENSION DIMENSION (MOA)

|                 | A    | B    | C    | D    | E   | F   | G   | H   | I   | J   | K    | L   |
|-----------------|------|------|------|------|-----|-----|-----|-----|-----|-----|------|-----|
| X5i 3,5-18x50 P | 0,12 | 0,88 | 44,1 | 22,1 | 2,0 | 2,0 | 1,0 | 2,0 | 3,0 | 2,0 | 20,1 | 5,0 |
| X5i 5-25x56 P   | 0,08 | 0,63 | 43,9 | 22,0 | 2,0 | 2,0 | 1,0 | 2,0 | 3,0 | 2,0 | 20,0 | 5,0 |

As the reticle is located in the second image plane, the data only applies to the highest magnification.

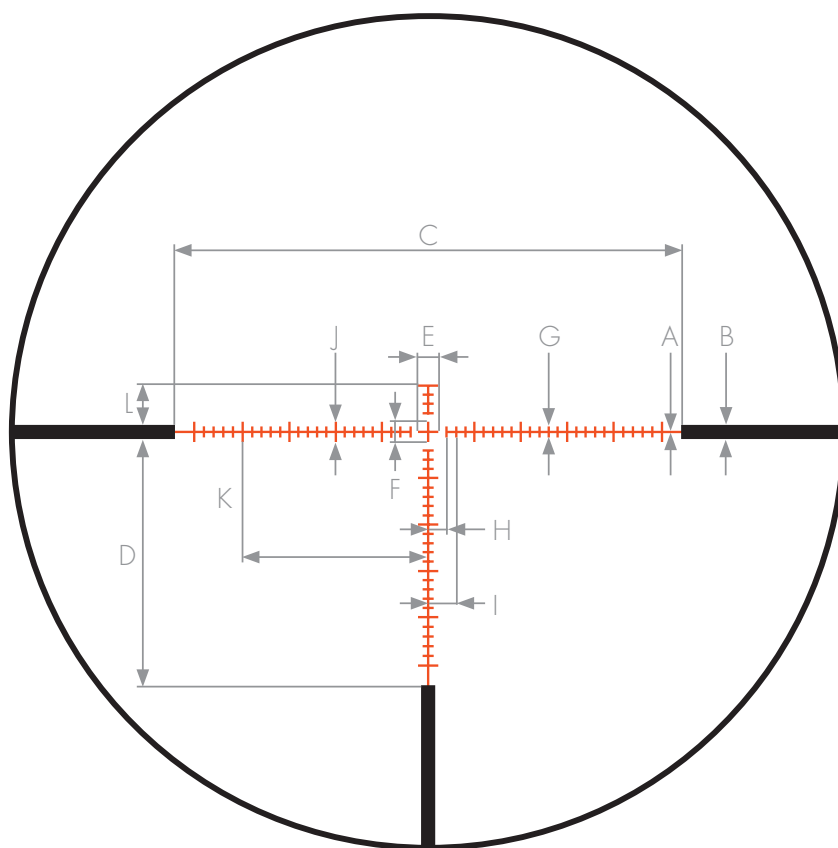
SEE *THE* UNSEEN

  
SWAROVSKI  
OPTIK

# X5i RIGHT TO THE LIMIT

## 4WXm-l+

- Developed for accurate aiming and estimating distances.
- 2cm distances at 100m between each marking offer maximum accuracy even over long distances.
- The floating crosshair allows you to aim accurately even at the smallest targets, offering the best possible visibility of the target.
- The whole functional area of the reticle is lit up.
- To ensure maximum versatility, the sight-in distance can be made shorter using the adjustment line above the main aiming point.
- Due to the linear scales, necessary adjustments to the impact point can be quickly measured with the reticle and transferred to the turret..
- Available for:  
X5i 5-25x56 P 0,5cm/100m



## SUBTENSION DIMENSION (cm/100m)

|               | A   | B   | C     | D    | E   | F   | G   | H   | I   | J   | K    | L    |
|---------------|-----|-----|-------|------|-----|-----|-----|-----|-----|-----|------|------|
| X5i 5-25x56 P | 0,2 | 1,8 | 128,0 | 64,0 | 5,0 | 5,0 | 2,5 | 4,0 | 6,0 | 5,0 | 40,0 | 10,0 |

As the reticle is located in the second image plane, the data only applies to the highest magnification.

SEE *THE* UNSEEN

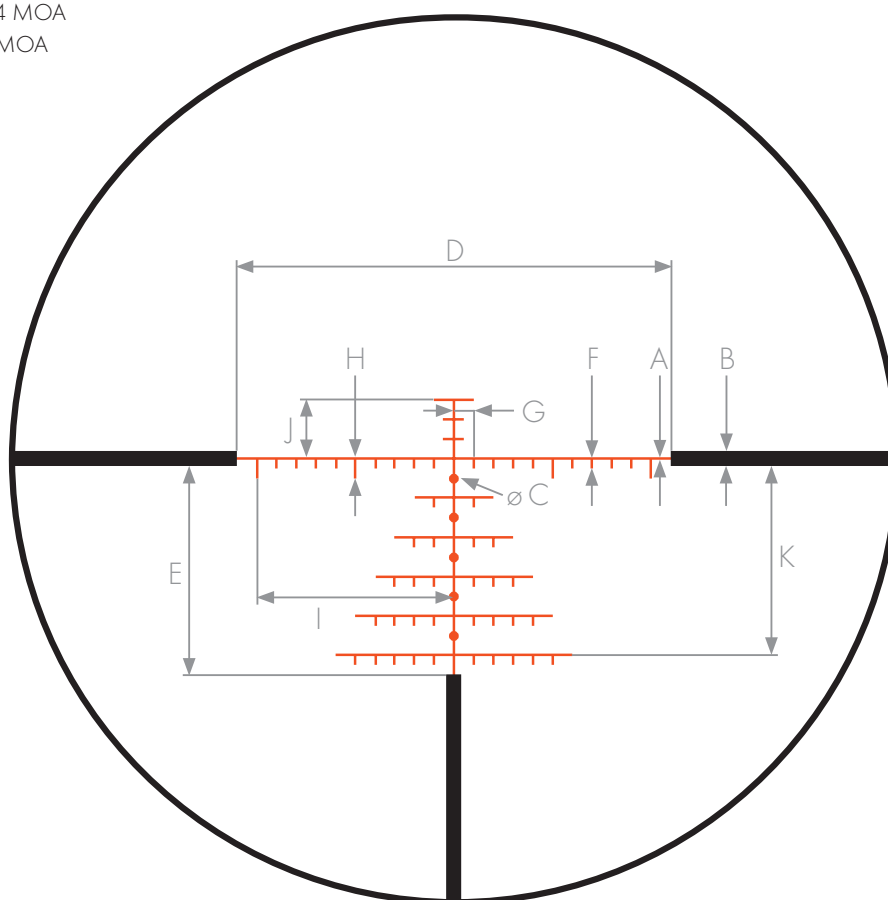
  
SWAROVSKI  
OPTIK

# X5i

## UNCOMPROMISING PRECISION FOR LONG RANGE HUNTING

### BRM-I+

- Specially developed for long-range shots.
- With a distance of 2 MOA between each marking.
- The whole reticle is illuminated on illuminated models.
- All hold-over lines under the main aiming point have windage marks allowing adjustment for any crosswind.
- To ensure maximum versatility, the sight-in distance can be made shorter using the adjustment line above the main aiming point.
- Available for:  
X5i 3,5-18x50 P 1/4 MOA  
X5i 5-25x56 P 1/4 MOA



### SUBTENSION DIMENSION (MOA)

|                 | A    | B    | C    | D    | E    | F   | G   | H   | I    | J   | K    |
|-----------------|------|------|------|------|------|-----|-----|-----|------|-----|------|
| X5i 3,5-18x50 P | 0,15 | 0,88 | 0,45 | 44,1 | 22,1 | 1,0 | 2,0 | 2,0 | 20,1 | 6,0 | 20,1 |
| X5i 5-25x56 P   | 0,10 | 0,63 | 0,32 | 43,9 | 22,0 | 1,0 | 2,0 | 2,0 | 20,0 | 6,0 | 20,0 |

As the reticle is located in the second image plane, the data only applies to the highest magnification.

01/2019

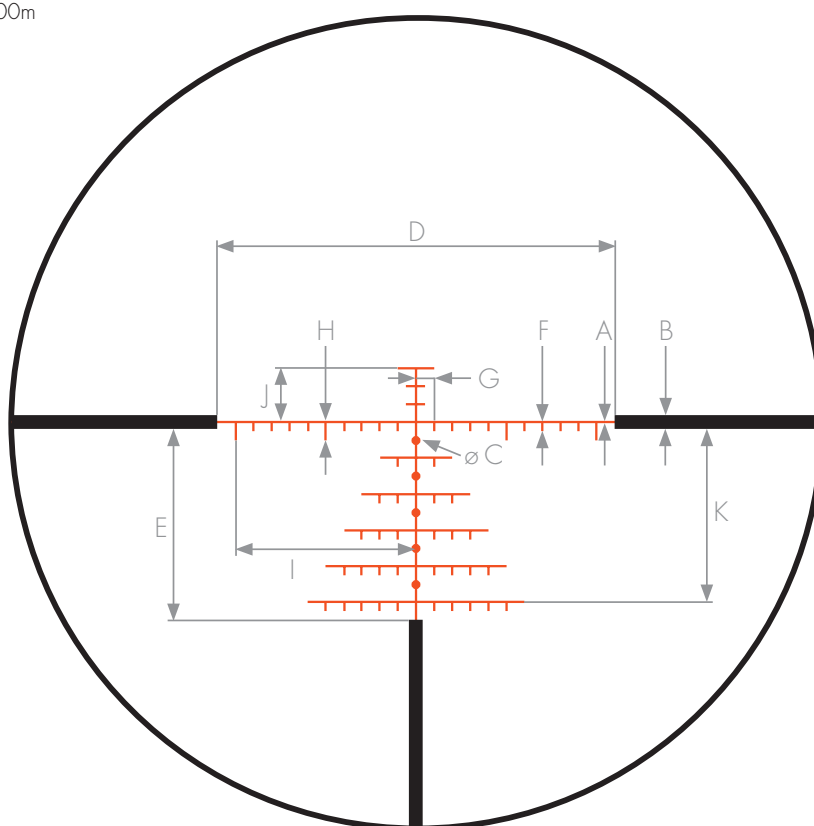
SEE *THE* UNSEEN

  
**SWAROVSKI**  
**OPTIK**

# X5i RIGHT TO THE LIMIT

## BRMm-I+

- Specially developed for long-range shots.
- With a distance of 5cm / 100m (0.5 MRAD) between each marking.
- The whole functional area of the reticle is lit up.
- All hold-over lines under the main aiming point have windage marks allowing adjustment for any crosswind.
- To ensure maximum versatility, the sight-in distance can be made shorter using the adjustment line above the main aiming point.
- Due to the linear scales, necessary adjustments to the impact point can be quickly measured with the reticle and transferred to the turret.
- Available for:  
X5i 3,5-18x50 P 0,5cm/100m  
X5i 5-25x56 P 0,5cm/100m



## SUBTENSION DIMENSION (cm/100m)

|                 | A   | B   | C   | D     | E    | F   | G   | H   | I    | J    | K    |
|-----------------|-----|-----|-----|-------|------|-----|-----|-----|------|------|------|
| X5i 3,5-18x50 P | 0,4 | 2,5 | 1,3 | 110,0 | 65,0 | 2,5 | 5,0 | 5,0 | 50,0 | 15,0 | 50,0 |
| X5i 5-25x56 P   | 0,3 | 1,8 | 1,3 | 110,0 | 65,0 | 2,5 | 5,0 | 5,0 | 50,0 | 15,0 | 50,0 |

As the reticle is located in the second image plane, the data only applies to the highest magnification.

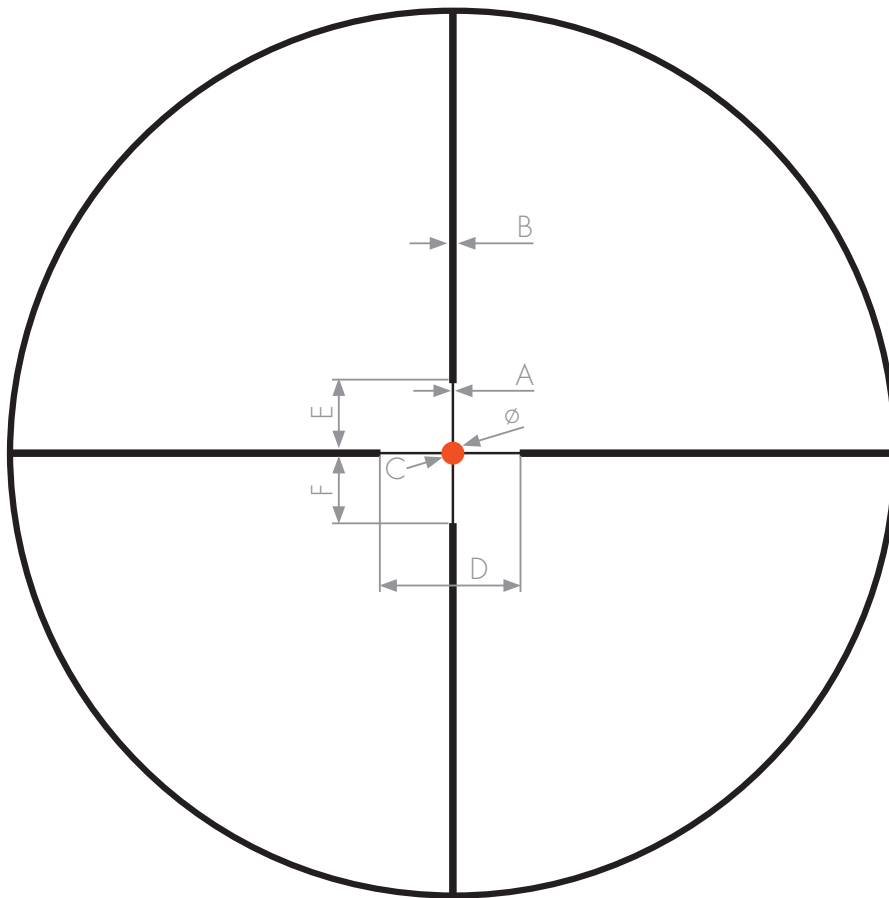
SEE THE UNSEEN

  
SWAROVSKI  
OPTIK

# X5i BIS ANS LIMIT

## PLEX-I+

- Simple reticle that focuses on the essential aspect - the main aiming point.
- Intuitive to use.
- Small target coverage.
- Only the central aiming point of the night reticle is illuminated, for accurate shots even in low light.
- Available for:  
X5i 5-25x56 P 1/8 MOA



## SUBTENSION DIMENSION

|         | A    | B    | C    | D    | E   | F   |
|---------|------|------|------|------|-----|-----|
| MOA     | 0,07 | 0,17 | 0,10 | 4,0  | 2,0 | 2,0 |
| cm/100m | 0,2  | 0,5  | 0,3  | 12,0 | 6,0 | 6,0 |

As the reticle is located in the second image plane, the data only applies to the highest magnification.

SEE *THE* UNSEEN