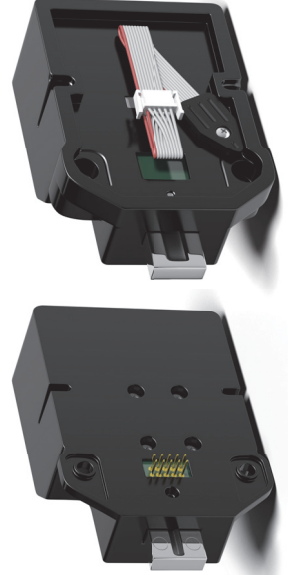
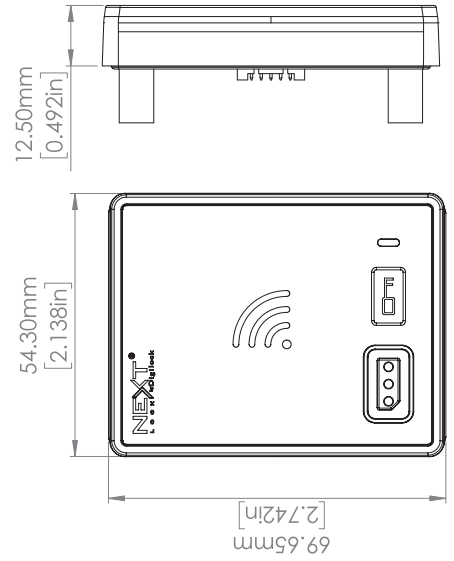


Range with a deadbolt locking mechanism operates in shared or assigned use functionality to secure day-use or private-use lockers.

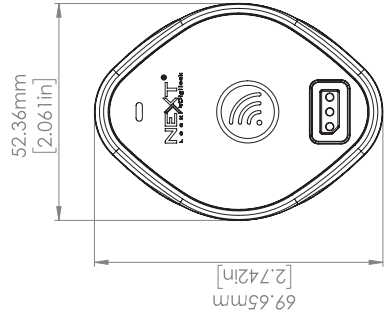
- RFID operation
- Standard, Vertical, and Oval body styles
- 1/2" (12 mm) motorized deadbolt locking mechanism
- Electronic key management
- Dual functionality - shared and assigned
- Metal housing with integrated pull handle
- Brushed nickel finish
- Surface mount
- Designed for new or retrofit installations
- Non-handed
- Adapts to multiple door thickness
- Visual & audible indicators
- Compatible RFID standards:
 - ISO 14443A
 - ISO 14443B
 - ISO 15693

RFID

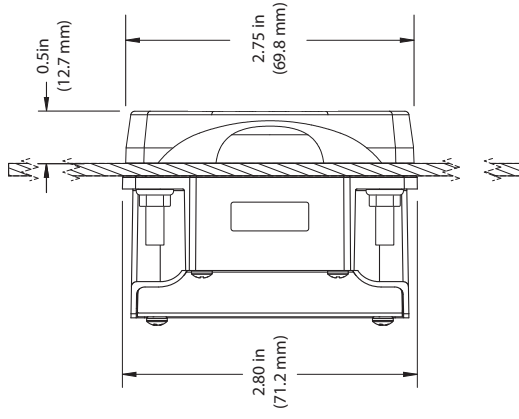


- IP55 rated for moisture and dust protection
- Patented snap-lock cable or pin connector
- Powered by 4 premium AA batteries
- 3-5 year battery life
- Up to 5 year warranty

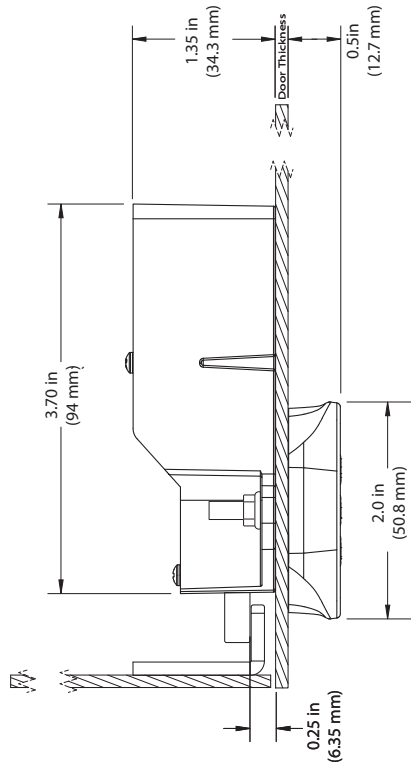
Front View



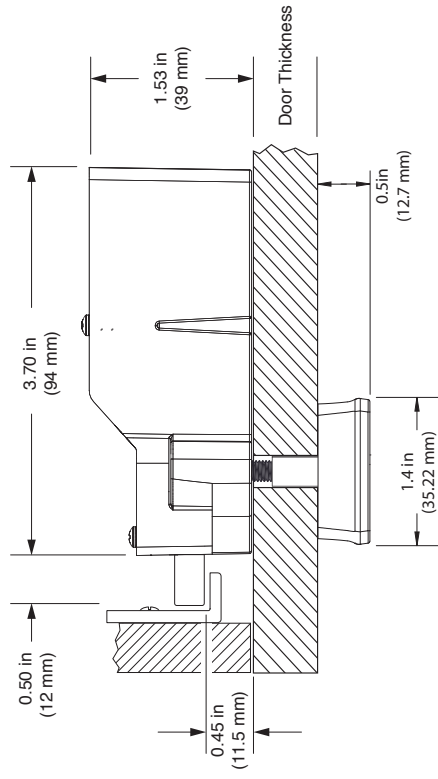
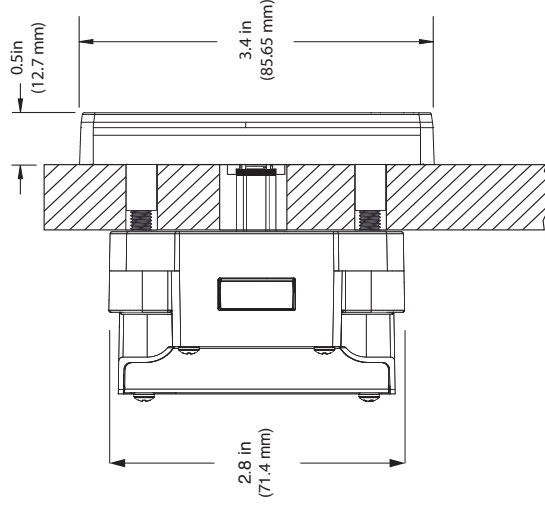
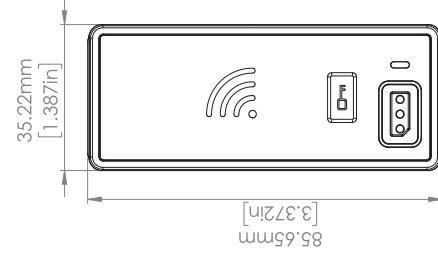
Side View



Top View



Oval body style shown with a pin-connected rear unit.



Vertical body style shown with a cable-connected rear unit.



Standard Keypad locks with a pull handle and operated with a User Key are fully compliant with the Americans with Disabilities Act (ADA) guidelines set by the U.S. Access Board.

