

Cairn Media Storage

URBAN OUTFITTERS

Assembly Instructions

TOOLS REQUIRED BUT NOT INCLUDED:

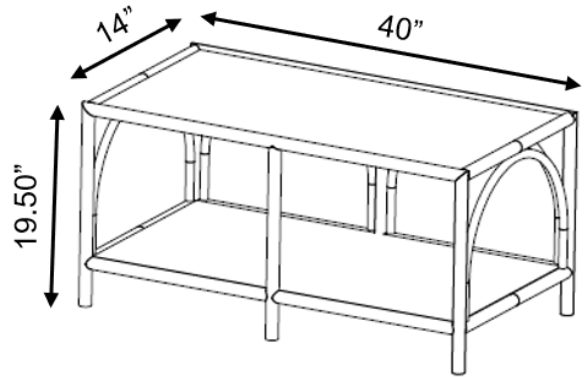
#2 Phillips head screwdriver

WARNINGS:

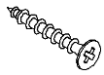
Do not throw away packing materials and carton until after assembly.
Ensure all parts are present prior to assembly.
Contact customer service immediately if parts are missing.
Assemble all parts on a clean smooth surface.

CARE INSTRUCTIONS:

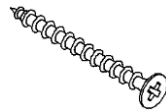
Avoid direct exposure to sunlight.
Do not place over heat or Air conditioning vents.
Dust your wood furniture often to prevent the buildup of dust.
Blot spills do not rub, with a clean white cloth.
Before cleaning any part test a small spot in a hidden area.
Natural Fiber products are designed to be used under cover.
Clean spills with a damp cloth with warm water only.
Do not use any harsh chemicals, abrasive cleaners or silicone or alcohol-based agents on woven materials.



PARTS INCLUDED:



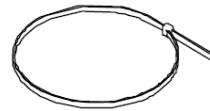
(A) Screw JF
(#6 x 3/4") x1



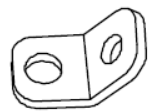
(B) Screw JF
(#6 x 1-1/2") x1



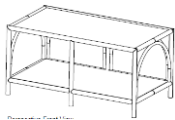
(C) Plastic Anchor
(S6) x1



(D) Tipping Restrain
x1



(E) Bracket
x2



(F) Storage
x1

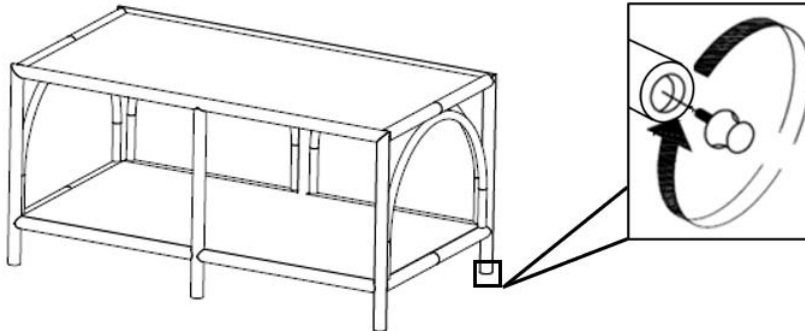
Cairn Media Storage

Assembly Instructions

URBAN OUTFITTERS

STEP 1

Adjust the levelers as necessary to accommodate uneven floors.



STEP 2

- A) Align the bracket (E) to the top back of the storage (F), as shown. Insert screw (A) and tighten with a phillips head screwdriver (not included). Place the second bracket (E) against the wall directly behind the storage and mark the location.
- B) Wood or Stud installation:
Insert screw (B) through the second bracket (E). Use a Phillips head screwdriver or drill to fasten the screw (B) directly into the wall at the marked location.
Drywall installation:
Insert the plastic anchors (C) into the wall at the marked locations using a hammer and a drill. Insert the screw (B) through the second bracket (E) and into the anchors, then tighten with a Phillips head screwdriver or drill.
- C) Place the storage against the wall aligning the brackets (E), then run the strap (D) through both brackets (E) and pull them tight to secure the storage.

The included hardware is intended for attachment to drywall or wooden wall surfaces, contact your local hardware store to find the correct anchor for alternative wall-types such as stone or brick.

