

Ebba Floating Shelf

Assembly Instructions

URBAN OUTFITTERS

TOOLS REQUIRED BUT NOT INCLUDED:

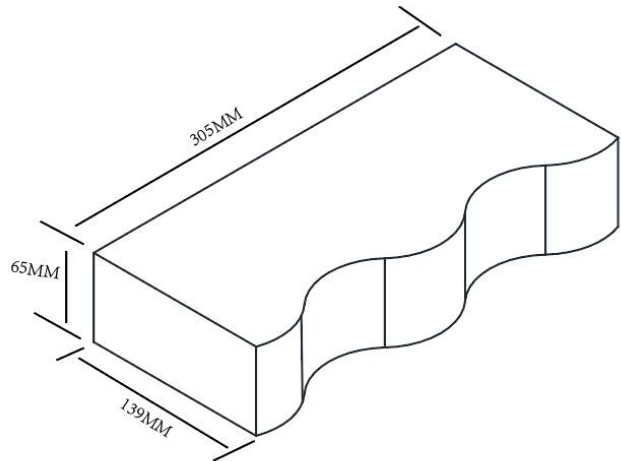
Phillips head screw driver, Pencil

WARNINGS:

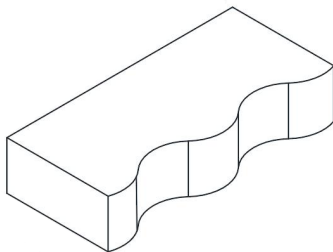
Do not throw away packing materials and carton until after assembly.
Ensure all parts are present prior to assembly.
Contact customer service immediately if parts are missing. Assemble all parts on a clean smooth surface.

CARE INSTRUCTIONS:

Avoid direct exposure to sunlight.
Do not place over heat or air conditioning vents.
Adjust levelers so that the furniture sits flat on uneven floors.
Blot spills with a clean white cloth, do not rub.
Do not use harsh chemicals.
Before cleaning any part test a small spot in a hidden area.
You may need to re-tighten all bolts after initial use.



PARTS INCLUDED:



A) Shelf
[Φ12*42mm] x2



B) Wall Anchor
[Φ12*42mm] x2



C) Screw
[Φ4*38mm] x2

Ebba Floating Shelf

Assembly Instructions

URBAN OUTFITTERS

STEP 1

Place the template on the wall where you want the shelf to hang. Ensure the template is level and mark the location of the screw holes through the template onto the wall. Screw the Wall Anchors (B) into the wall with a Phillips head screwdriver (not included) at the marked locations. Then, insert the screws and tighten with a Phillips head screwdriver leaving $\frac{1}{4}$ " between the head of the screw and the wall.



STEP 2

Align the mounting brackets in the back of the Shelf (A) with the Screws (C) in the wall and slide the Shelf (A) down onto the screws. If the Shelf (A) is loose once placed on the Screws (C), remove it from the wall and tighten the screws slightly.

