

BODEN LEANING DESK

URBAN OUTFITTERS

Assembly Instructions

TOOLS REQUIRED BUT NOT INCLUDED

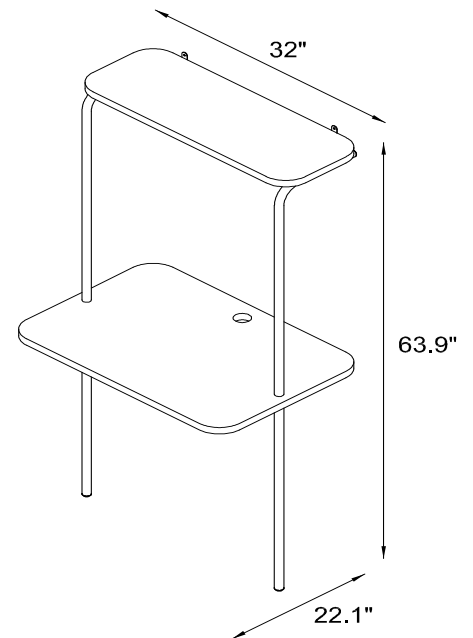
Drill, Phillips head screwdriver, Hammer, Pencil

WARNINGS:

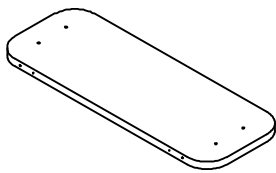
At least two people recommended for assembly
Do not throw away packing materials and carton until after assembly.
Ensure all parts are present prior to assembly.
Contact customer service immediately if parts are missing.
Assemble all parts on a clean smooth surface.
Attach leaning desk to the wall to prevent tipping that can cause damage and/or bodily injury

CARE INSTRUCTIONS:

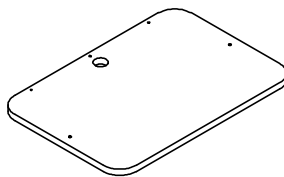
Avoid direct exposure to sunlight.
Blot spills with a clean, white cloth; do not rub.
Do not use harsh chemicals.
Before cleaning any part, test a small spot in a hidden area.
Do not place over heat or air conditioning vents.
Do not over-tighten the parts.
The parts may loosen after initial use; re-tighten as necessary.



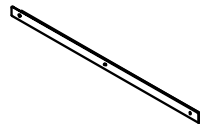
PARTS INCLUDED



A) Wooden Top Shelf



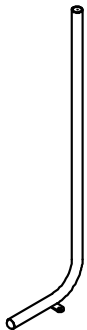
B) Wooden Bottom Shelf



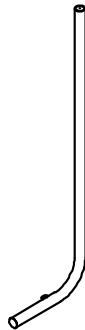
C) Metal Bracket



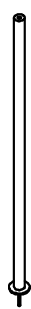
D) Metal Tabs x 2



E) Right Frame



F) Left Frame



G) Bottom Leg x 2



H) Adjustable Leveler x 2



I) Bolt
[M6x15mm] x 7



J) Bolt
[M4x12mm] x 4



K) Wall screw
[4x32] x 5



L) Drywall Anchor x 5



M) Allen Key (4mm)

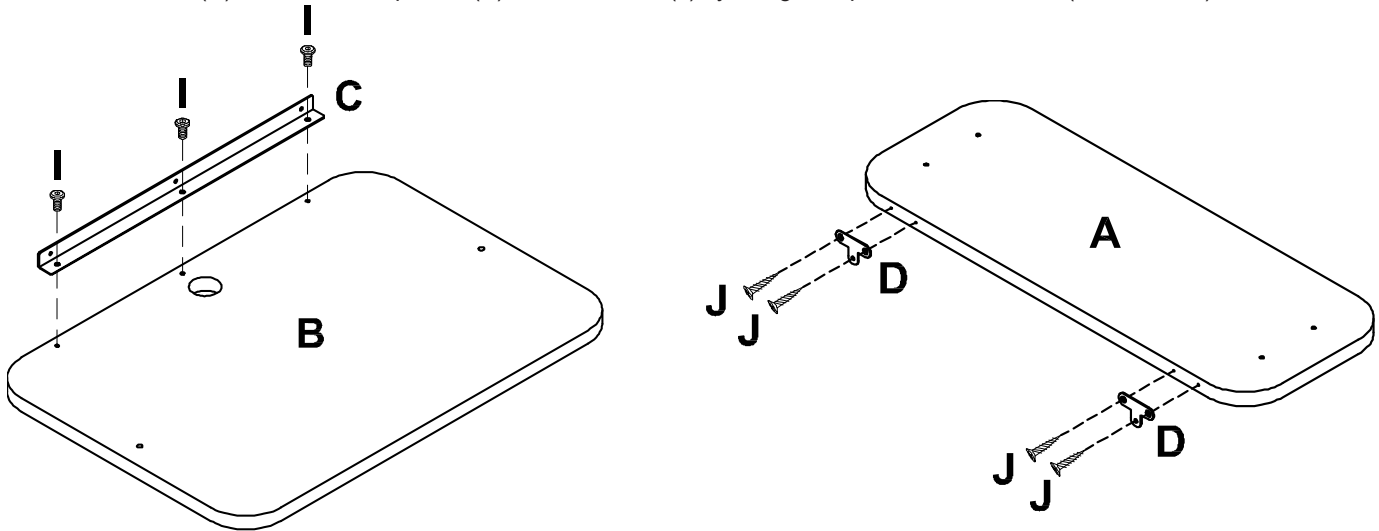
BODEN LEANING DESK

URBAN OUTFITTERS

Assembly Instructions

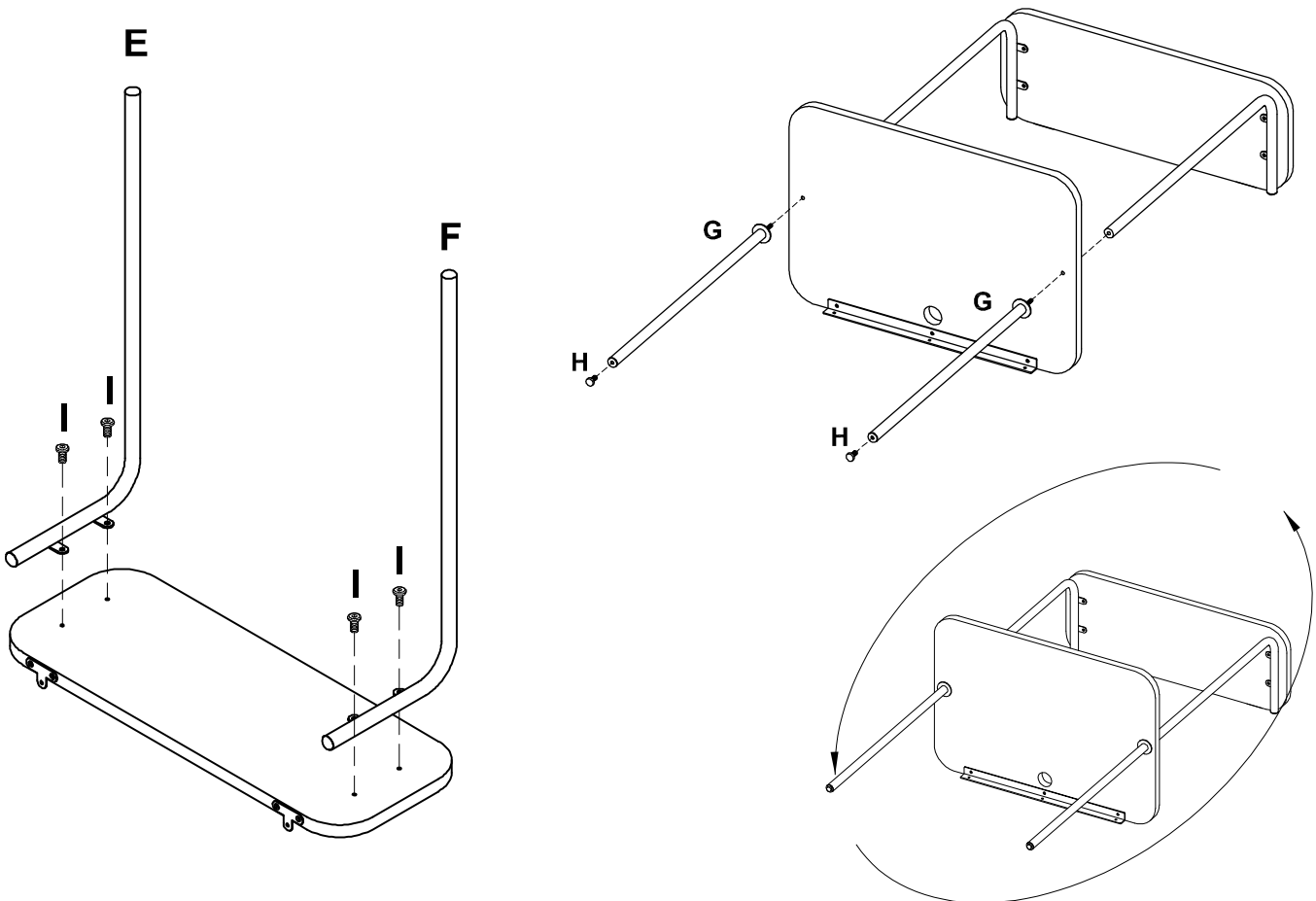
STEP 1

Lay down all the parts onto a clean carpet or cardboard for assembly. With help, align bottom wooden shelf (B) with Metal bracket (C). Insert bolts (I) and partially tighten with Allen key (M). Once all bolts are inserted and partially tightened, fully tighten the bolts. Place Metal bracket (D) into wooden top shelf (A) and insert bolt (J) by using Phillips head screwdriver (not included).



STEP 2

Align wooden top shelf with Right and Left frame (E) (F). Insert bolt (I), and partially tighten with Allen key (M). Align wooden bottom shelf (B) with bottom leg (G), and clockwise into the bottom shelf with top shelf as shown. Insert adjustable leveler (H) into the leg. With help, flip the leaning desk upright.



BODEN LEANING DESK

URBAN OUTFITTERS

Assembly Instructions

STEP 3

Place the leaning desk on the wall in a chosen location. Ensure the desk is leveled and mark the location of the holes in the desk on the wall.

Wood or Stud installation:

Use a Phillips head screwdriver to fasten the screws (K) directly into the wall at the marked locations. Leave 3/16" or 5mm between the metal bracket (C) and metal tabs (D) of the screws (K) and the wall.

Drywall installation:

Insert drywall anchors (L) into the wall at the marked locations using a drill and a hammer. Insert screws (K) into the anchors (L), then tighten with a Phillips head screwdriver. Leave 3/16" or 5mm between the metal bracket (C) and metal tabs (D) of the screws (K) and the wall.

The included hardware is intended for attachment to drywall or wooden wall surfaces. Contact your local hardware store to find the correct anchor for alternative wall types such as stone or brick.

