

ISABEL BEDFRAME - QUEEN

Assembly Instructions

URBAN OUTFITTERS

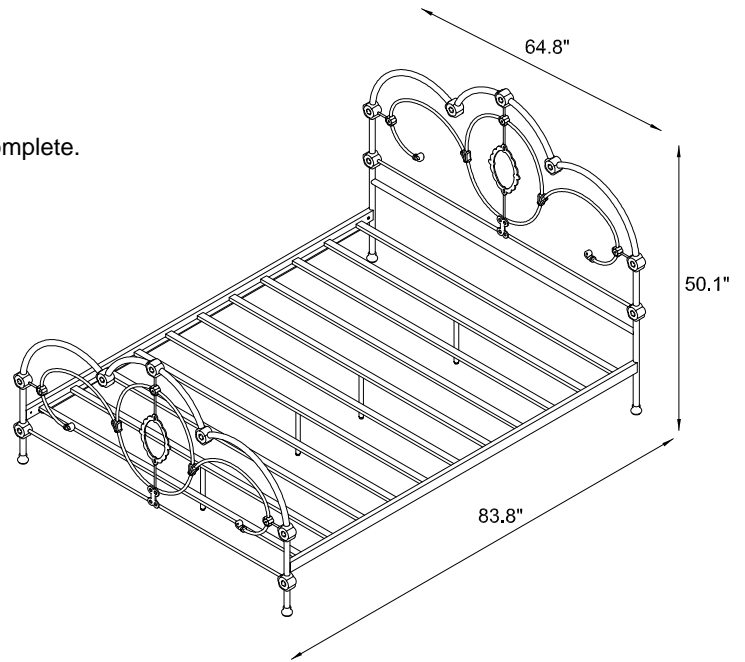
NO ADDITIONAL TOOLS REQUIRED

WARNINGS:

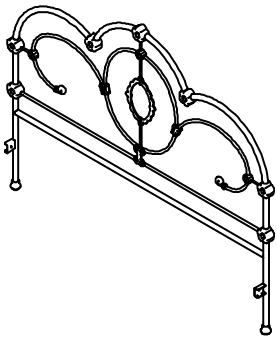
Two people recommended for assembly.
Do not discard packing materials and the carton until assembly is complete.
Ensure all parts are present prior to assembly.
Contact customer service immediately if any parts are missing.
Assemble all parts on a clean, smooth surface

CARE INSTRUCTIONS:

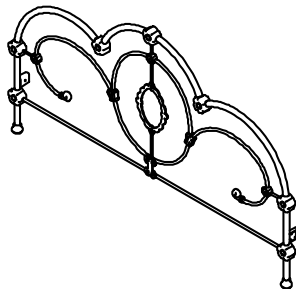
Avoid direct exposure to sunlight.
Blot spills with a clean, white cloth; do not rub.
Do not use harsh chemicals.
Before cleaning any part, test a small spot in a hidden area.
Do not place over heat or air conditioning vents.
Do not over-tighten the parts.
The parts may loosen after initial use; re-tighten as necessary.



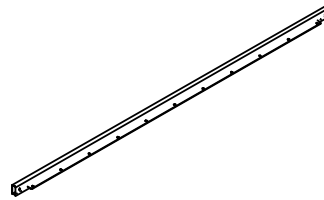
PARTS INCLUDED



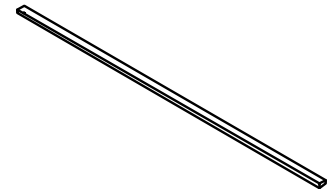
A) Headboard



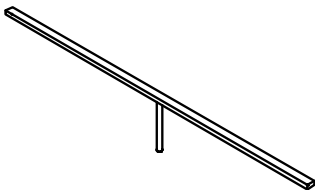
B) Footboard



C) Side Rails x2



D) Slats x 7



E) Post Slats x 4



F) Bolt
[M6x10mm] x12



G) Bolt
[M6x15mm] x22



H) Adjustable levelers x 4



I) Allen Key

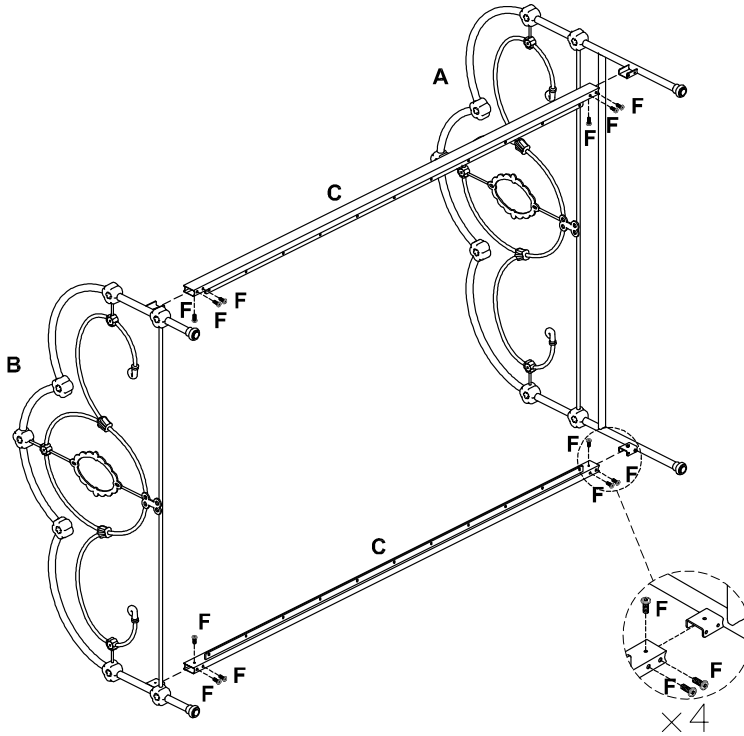
ISABEL BEDFRAME - QUEEN

Assembly Instructions

URBAN OUTFITTERS

STEP 1

Lay down all the parts onto the clean carpet or cardboard for assembly. With help, align side rails (C) with headboard (A) and footboard (B). Insert Bolts (F) and partially tighten with Allen key (I). Once all bolts are inserted and partially tightened, fully tighten the bolts.



STEP 2

Locate post slats (E) and screw levelers (H) into the bottom of the post. One at a time, align Slats with legs (E) to the ends and center of side rails (A) and insert bolts (G). Partially tighten bolts (G) with Allen key (I). Align slats (D) with the rest of the holes in side rails (A), as shown. Insert bolts (G) and partially tighten with Allen key (I). Once all bolts are inserted and partially tightened, fully tighten the bolts. With help, flip the bedframe upright. Do not drop it.

