

# Eloise Mirror

## Assembly Instructions

**URBAN OUTFITTERS**

### TOOLS REQUIRED BUT NOT INCLUDED:

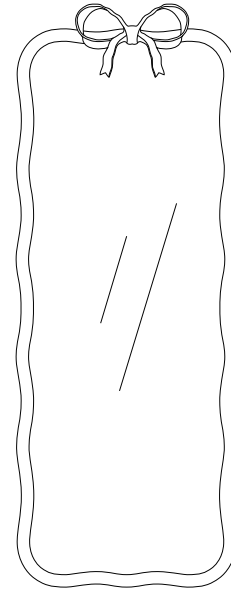
Phillips head screwdriver, Pencil, Level, Drill, Hammer

### WARNINGS:

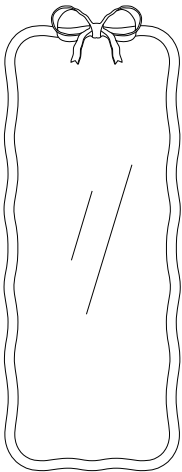
Do not throw away packing materials and carton until after assembly.  
Ensure all parts are present prior to assembly.  
Contact customer service immediately if parts are missing.  
Assemble all parts on a clean smooth surface.  
Use metal cleat to hang mirror, do not hang mirror from anti-tip hardware.  
Anti-Tip Hardware must be in place to ensure safety from tipping if mirror is not hung.

### CARE INSTRUCTIONS:

Avoid direct exposure to sunlight.  
Do not place over heat or air conditioning vents.  
Adjust levelers so that the furniture sits flat on uneven floors.  
Blot spills with a clean white cloth, do not rub.  
Do not use harsh chemicals.  
Before cleaning any part test a small spot in a hidden area.  
You may need to re-tighten all bolts after initial use.



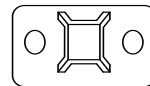
### PARTS INCLUDED:



(A) Mirror  
x1



(B) Metal Cleat  
x1



(C) Anti-tip Bracket  
x2

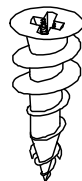


(D) Anti-tip Strap  
x2

### RECOMMENDED HARDWARE (not included):



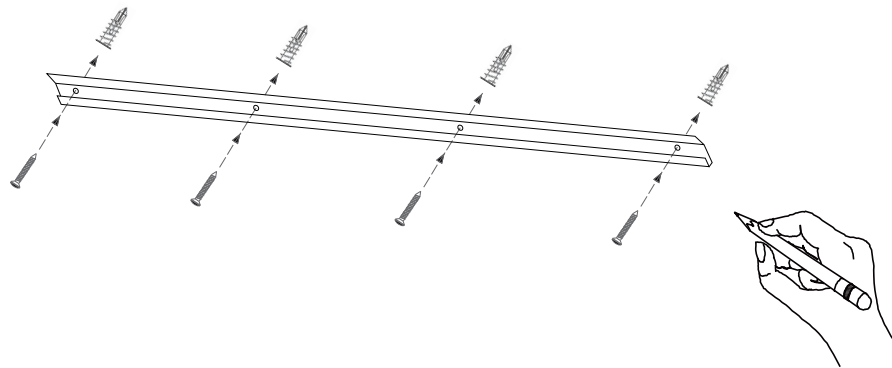
(C) Screw  
[Ø4\*38mm] x4



(D) Anchor  
[Ø4\*38mm] x4

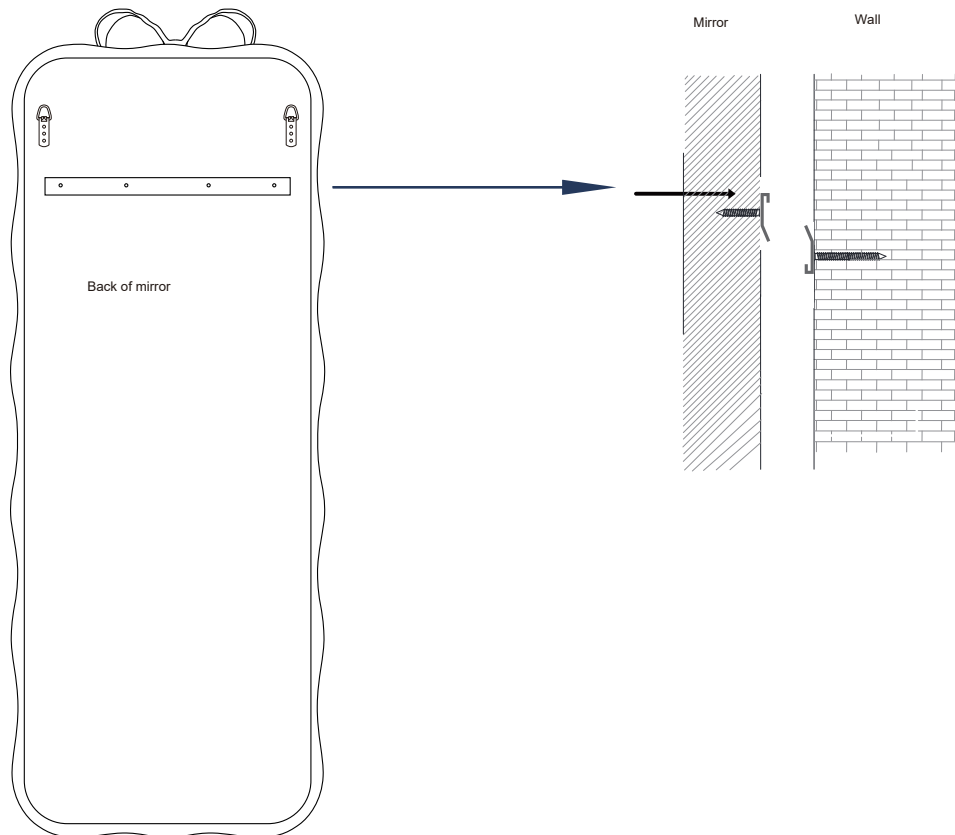
### STEP 1 - [HANGING INSTRUCTIONS]

- A) Contact a local hardware store to source the correct hardware for your wall type.
- B) Place the metal cleat (B) on the wall in a preferred location. Ensure the metal cleat (B) is level and mark the location of the screw holes on the wall.
- C) Follow the hardware manufacturers directions to attach the metal cleat (B) to the wall.



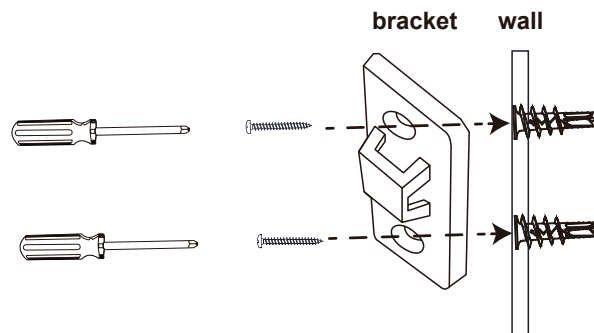
### STEP 2

With help, gently hang the mirror (A) on the metal cleat (B).



### STEP 1 [ANTI-TIP KIT INSTRUCTIONS]

- Contact a local hardware store to source the correct hardware for your wall type.
- Place the mirror (A) against the wall in a preferred location. Place the brackets (C) against the wall aligning them with the D-rings on the back of the mirror. Mark the location of the holes in the brackets (C) on the wall.
- Follow the hardware manufacturers directions to attach the brackets (C) to the wall.



### STEP 2

Run the flat end of the straps (D) through the D-rings and brackets (C) and into slot at the opposite end of the straps (D). Pull the straps (D) until tight to secure the mirror, as shown in the images below.

