

BODEN LOW COFFEE TABLE

URBAN OUTFITTERS

Assembly Instructions

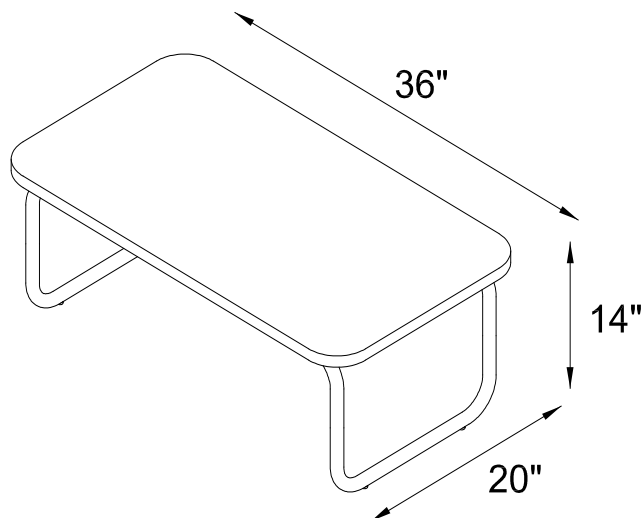
NO ADDITIONAL TOOLS REQUIRED

WARNINGS:

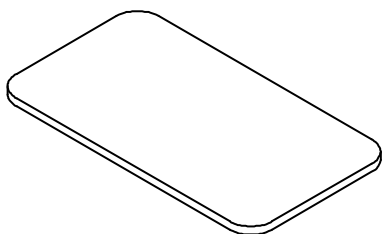
Do not throw away packing materials and carton until after assembly.
Ensure all parts are present prior to assembly.
Contact customer service immediately if parts are missing.
Assemble all parts on a clean smooth surface.

CARE INSTRUCTIONS:

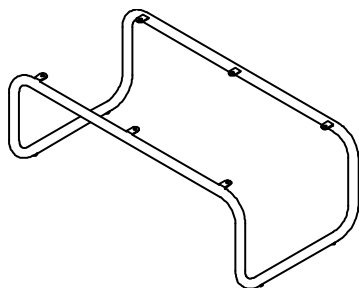
Avoid direct exposure to sunlight.
Blot spills with a clean, white cloth; do not rub.
Do not use harsh chemicals.
Before cleaning any part, test a small spot in a hidden area.
Do not place over heat or air conditioning vents.
Do not over-tighten the parts.
The parts may loosen after initial use; re-tighten as necessary.



PARTS INCLUDED



A) Wooden Top



B) Frame



C) Bolt
[M6x15mm] x 6



D) Allen Key

BODEN LOW COFFEE TABLE

URBAN OUTFITTERS

Assembly Instructions

STEP 1

Lay down all the parts on a clean carpet or cardboard for assembly. Align frame (B) into wooden top (A). Insert bolts (C) and partially tighten with Allen key (D). Once all are partially tightened, full tighten the bolts. Flip the coffee table upright.

