

Tara Bed Tray

URBAN OUTFITTERS

Assembly Instructions

TOOLS REQUIRED BUT NOT INCLUDED:

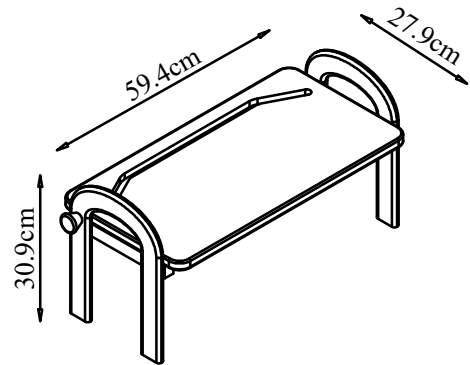
Phillips head screwdriver

WARNINGS:

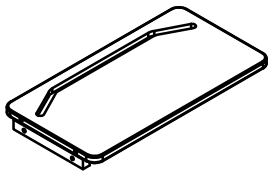
Do not throw away packing materials and carton until after assembly.
Ensure all parts are present prior to assembly.
Contact customer service immediately if parts are missing.
Assemble all parts on a clean smooth surface.

CARE INSTRUCTIONS:

Avoid direct exposure to sunlight.
Do not place over heat or air conditioning vents.
Adjust levelers so that the furniture sits flat on uneven floors.
Blot spills with a clean white cloth, do not rub.
Do not use harsh chemicals.
Before cleaning any part test a small spot in a hidden area.
You may need to re-tighten all bolts after initial use.



PARTS INCLUDED:



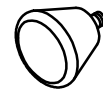
1) Top Panel
(21 x 11 x 1.7") x 1
or
(53.3 x 27.9 x 4.3cm)



2) Leg
(12.17 x 8.27 x 0.7") x 1
or
(30.9 x 21 x 1.8cm)



3) Leg
(12.17 x 8.27 x 0.7") x 1
or
(30.9 x 21 x 1.8cm)



4) Handle
(1.38 x 1.38 x 1.22") x 1
or
(3.5 x 3.5 x 3.1cm)



A) Bolt
(D 0.47 / 0.24 x 1.38") x 4
or
(D 12 / 6 x 35 mm)



B) Spring Washer
(D 0.47 / 0.24 x 0.08") x 4
or
(D 12 / 6 x 2 mm)



C) Flat Washer
(D 0.63 / 0.24 x 0.08") x 4
or
(D 16 / 6 x 2 mm)



D) Allen Key
(D 0.16 x 2.32") x 1
or
(D 4 x 59 mm)



E) Cam lock
(D 0.6 x 0.47") x 4
or
(D 15 x 12 mm)



F) Cambolt
(D 0.24 x 1.57") x 4
or
(D 6 x 40 mm)

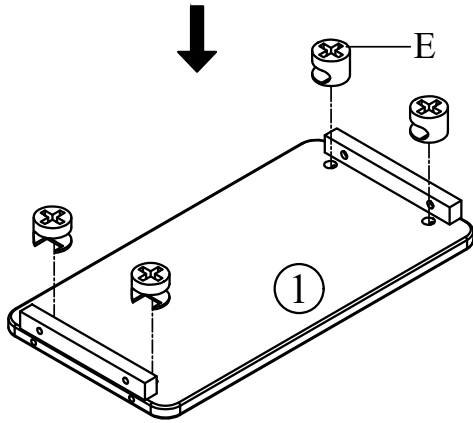
Tara Bed Tray

Assembly Instructions

URBAN OUTFITTERS

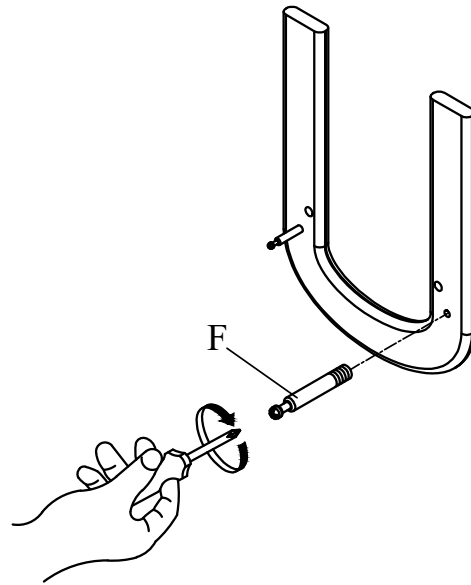
STEP 1

Insert the Cam lock (E) into the top panel (1) as shown.



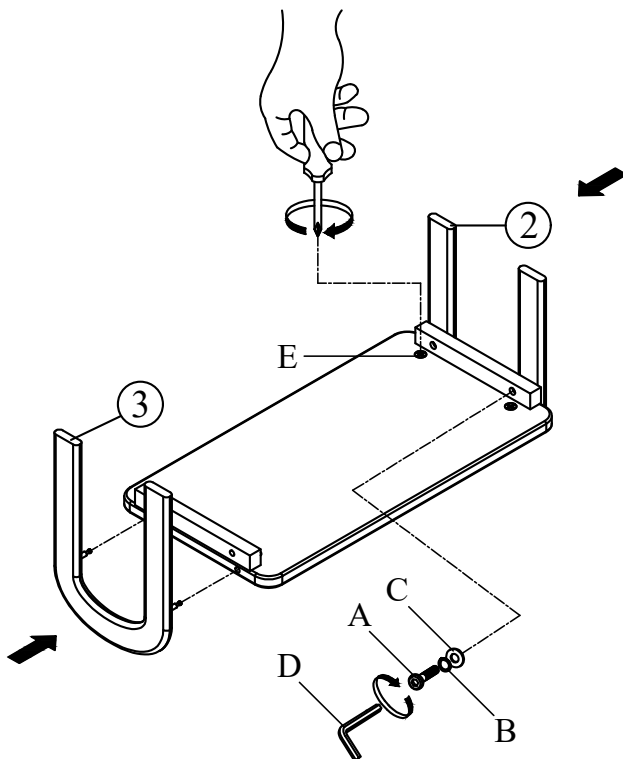
STEP 2

Attach the Cam dowel (F) to the legs, using a screw driver as shown.



STEP 3

Insert the legs (2)&(3) into the top panel (1). Lock the Cam lock (E) with a Phillips head screw driver then, insert bolts (A), spring washer (B), flat washer (C) and tighten with Allen key (D) as shown.



STEP 4

Screw the handle (4) into the leg (2) to finish assembly.

