

BODEN STORAGE UNIT

URBAN OUTFITTERS

Assembly Instructions

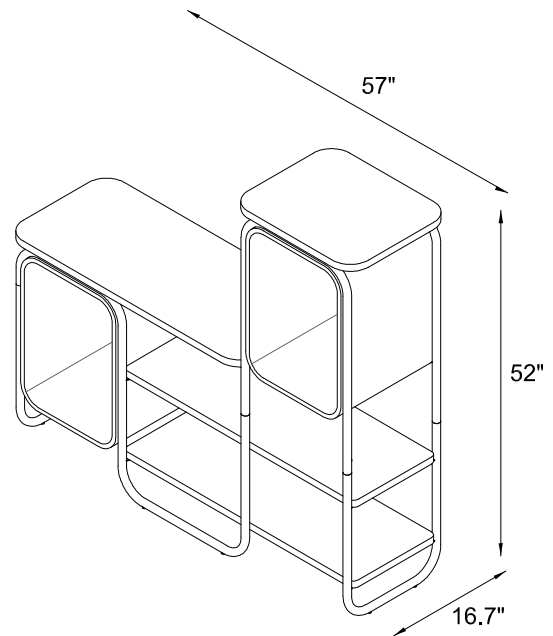
TOOLS REQUIRED BUT NOT INCLUDED
Drill, Phillips head screwdriver, Hammer, Pencil

WARNINGS:

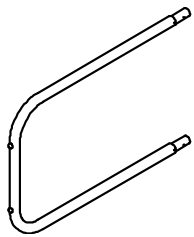
At least two people recommended for assembly
Do not throw away packing materials and carton until after assembly.
Ensure all parts are present prior to assembly.
Contact customer service immediately if parts are missing.
Assemble all parts on a clean smooth surface.
Attach Dresser to the wall to prevent tipping that can cause damage and/or bodily injury

CARE INSTRUCTIONS:

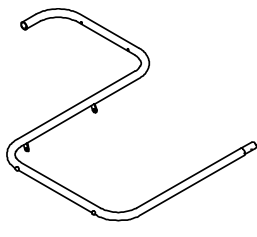
Avoid direct exposure to sunlight.
Blot spills with a clean, white cloth; do not rub.
Do not use harsh chemicals.
Before cleaning any part, test a small spot in a hidden area.
Do not place over heat or air conditioning vents.
Do not over-tighten the parts.
The parts may loosen after initial use; re-tighten as necessary.



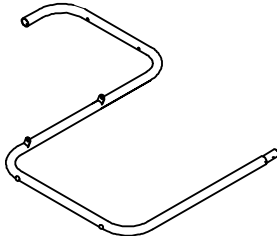
PARTS INCLUDED



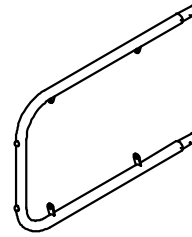
A) Left side frame



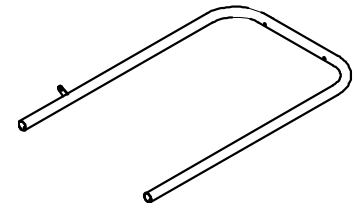
B) Front Leg



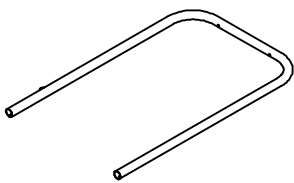
C) Back Leg



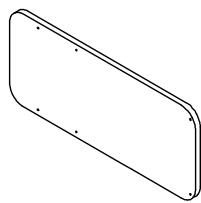
D) Right side Frame



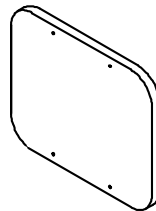
E) Right Front Frame



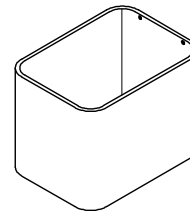
F) Right Back Frame



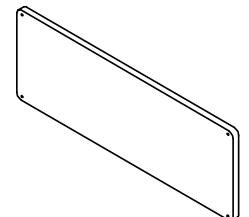
G) Wood Left Top Shelf



H) Right Top Shelf



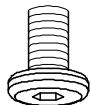
I) Wooden Case x2



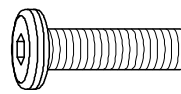
J) Middle/ Bottom Shelf x2



K) Bolt [M6x10mm] x 12



L) Bolt [M6x15mm] x 10



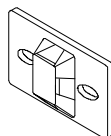
M) Bolt [M6x50mm] x 8



N) Wall screw [4x32] x4



O) Drywall Anchor (x4)



P) Anti-tip bracket (x2)



Q) Nylon Strap (x2)

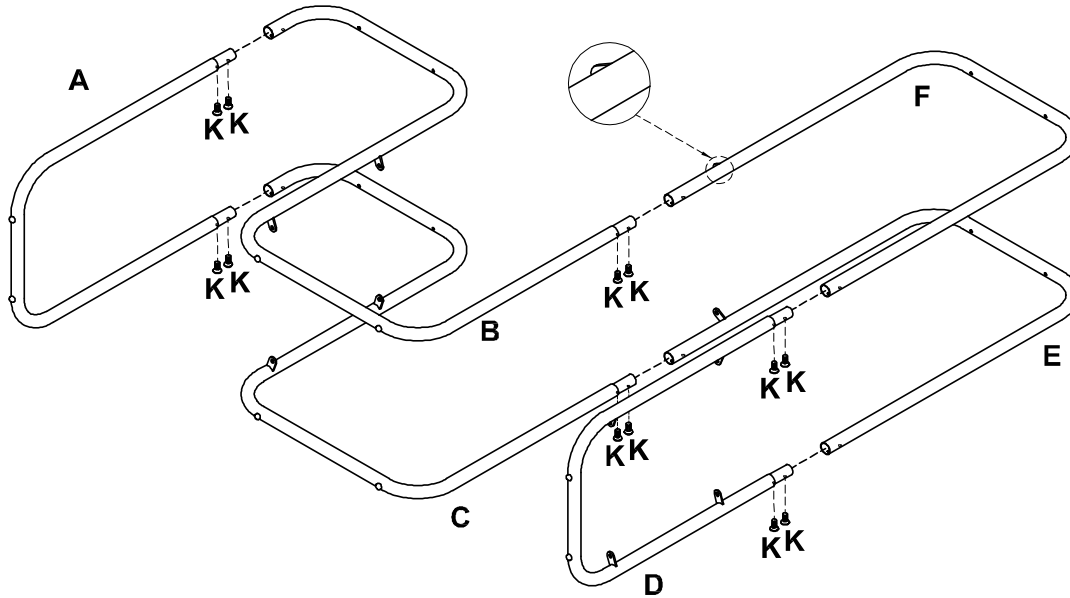


R) Allen Key (4mm)

Assembly Instructions

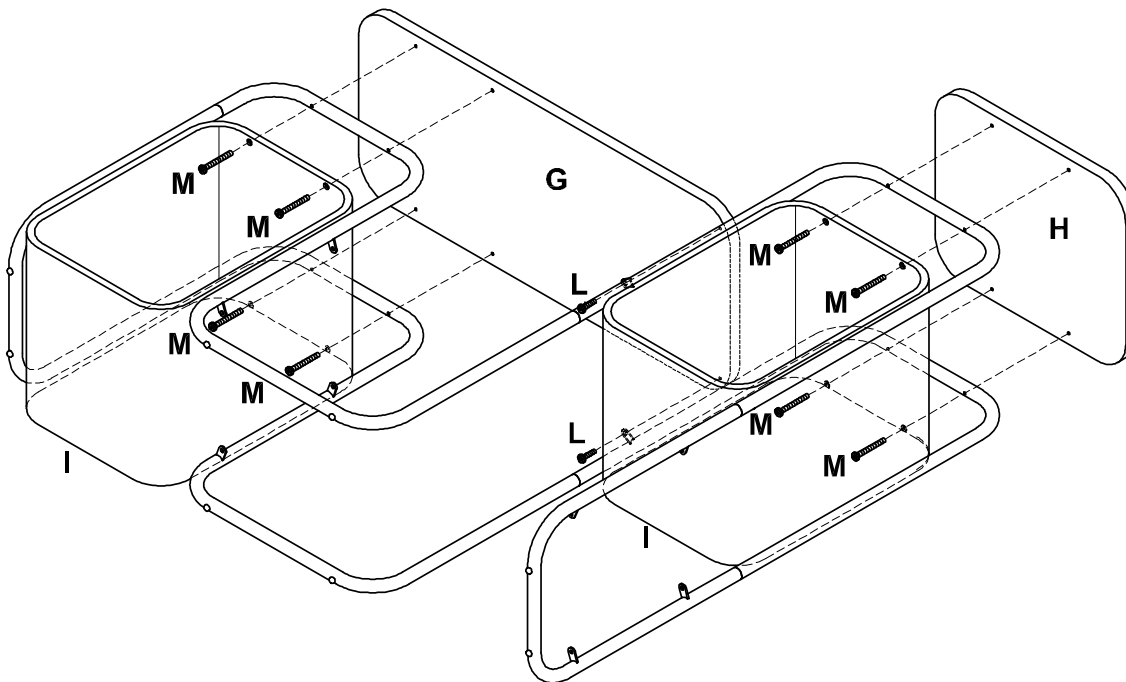
STEP 1

Lay down all the parts onto a clean carpet or cardboard for assembly. Insert left side frame (A), into front and back Leg (B&C). Next, insert front and back Leg (B&C) into right front and back frame (F&E) then, insert right side frame (D) into right front and back frame (F&E). Insert bolts (K) and partially tighten with Allen key (R).



STEP 2

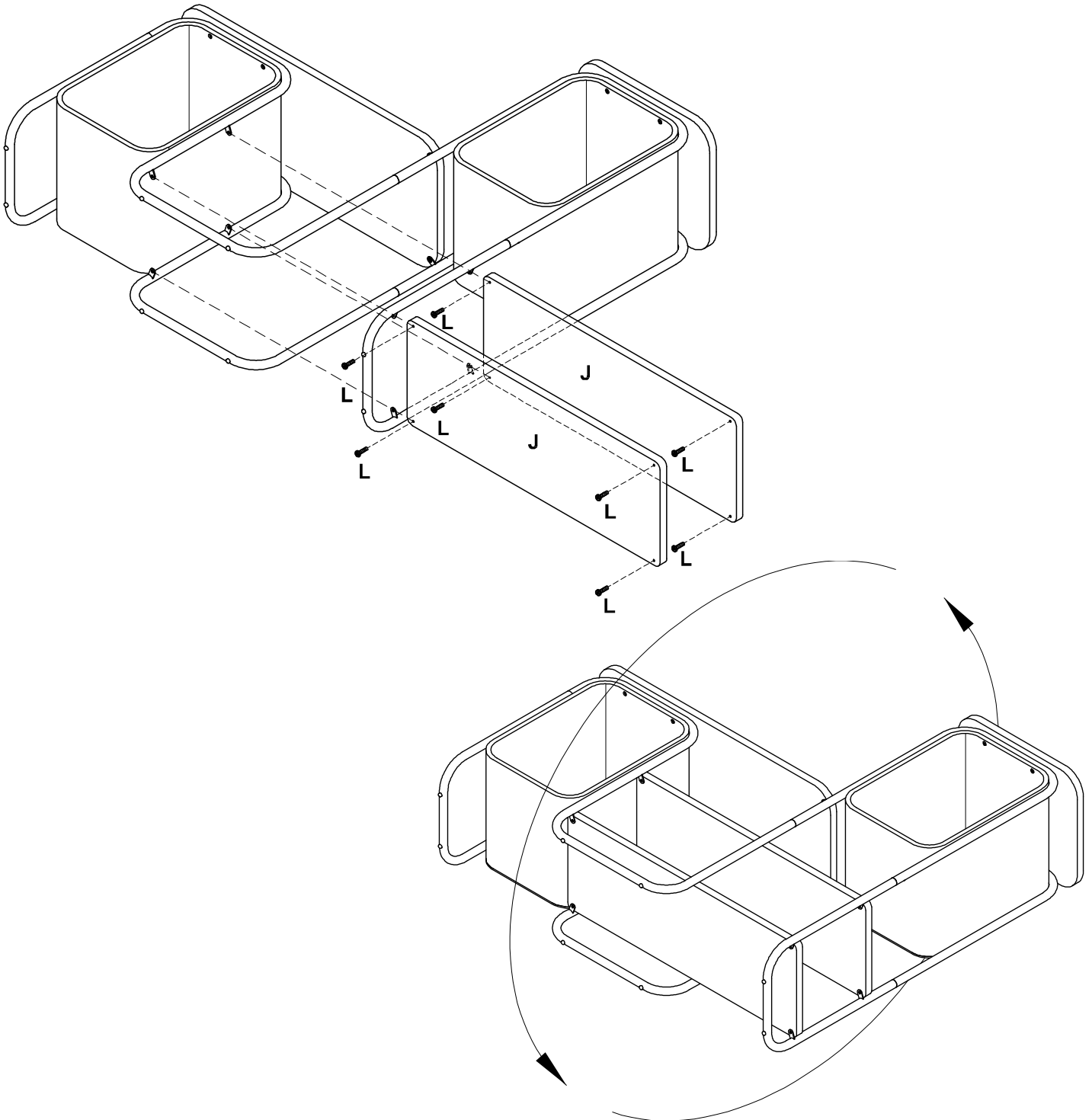
With help, align wooden cases (I) with the partially assembled frame. Insert bolts (M) through cases (I) and the frame. Insert bolts (L) through the tabs attached to the frame. With help, use the bolts (M&L) to align left and right wood shelf tops (G&H) then, partially screw the bolts (M&L) into left and right wood shelf tops (G&H) with Allen key (R).



Assembly Instructions

STEP 3

With help, place middle and bottom shelf (J) above the tabs attached to the frame and partially tighten with Allen key (R). Once all bolts are inserted and partially tightened, fully tighten the bolts, including the bolts from STEP 2. With help, flip the storage unit upright.



Assembly Instructions

STEP 4

Place the furniture against the wall in a chosen location. Place the anti-tip brackets (P) against the wall beside the outside legs of the furniture in the area circled on the graphic below. Mark the location of the holes in the brackets (P) on the wall then, with help, move the furniture aside.

Stud installation:

One at a time, place the brackets (P) against the wall at the marked locations. Insert the screws (N) through the anti-tip brackets (P) and use a Phillips head screwdriver or drill to fasten the screws (N) directly into the wall.

Drywall installation:

One at a time insert anchors (O) into the wall at the marked locations using a hammer and a drill. Place the anti-tip brackets (P) over the anchors (O). Insert screws (N) through the anti-tip brackets (P) into the anchors (O) then, tighten with a Phillips head screwdriver or drill.

STEP 5

Insert the nylon straps (Q) through the hole in the anti-tip brackets (P) and around the legs of the furniture. Insert the end of the nylon strap (Q) through the hole at its top and pull tight to secure the furniture.

The included hardware is intended for attachment to drywall or wooden wall surfaces. Contact your local hardware store to find the correct anchor for alternative wall types such as stone or brick.

