

MASON SHELF

Assembly Instructions

URBAN OUTFITTERS

TOOLS REQUIRED BUT NOT INCLUDED:

Phillips head screwdriver

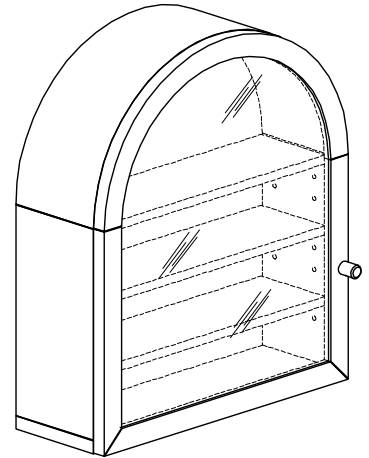
Do not throw away packing materials and carton until after assembly. Assemble all parts on a clean smooth surface

CARE INSTRUCTIONS:

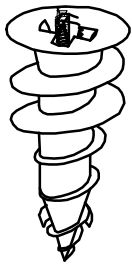
Avoid direct exposure to sunlight. Do not place over heat or Air conditioning vents. Adjust levelers so that the furniture sits flat on uneven floors.

Blot spills do not rub, with a clean white cloth. Do not use harsh chemicals.

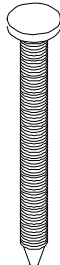
Before cleaning any part test a small spot in a hidden area. You may need to re-tighten all bolts after initial use.



PARTS INCLUDED



(C) Metal Anchor
[M15 x 28mm] x4



(D) Machine Screw
[M8 x 35mm] x4

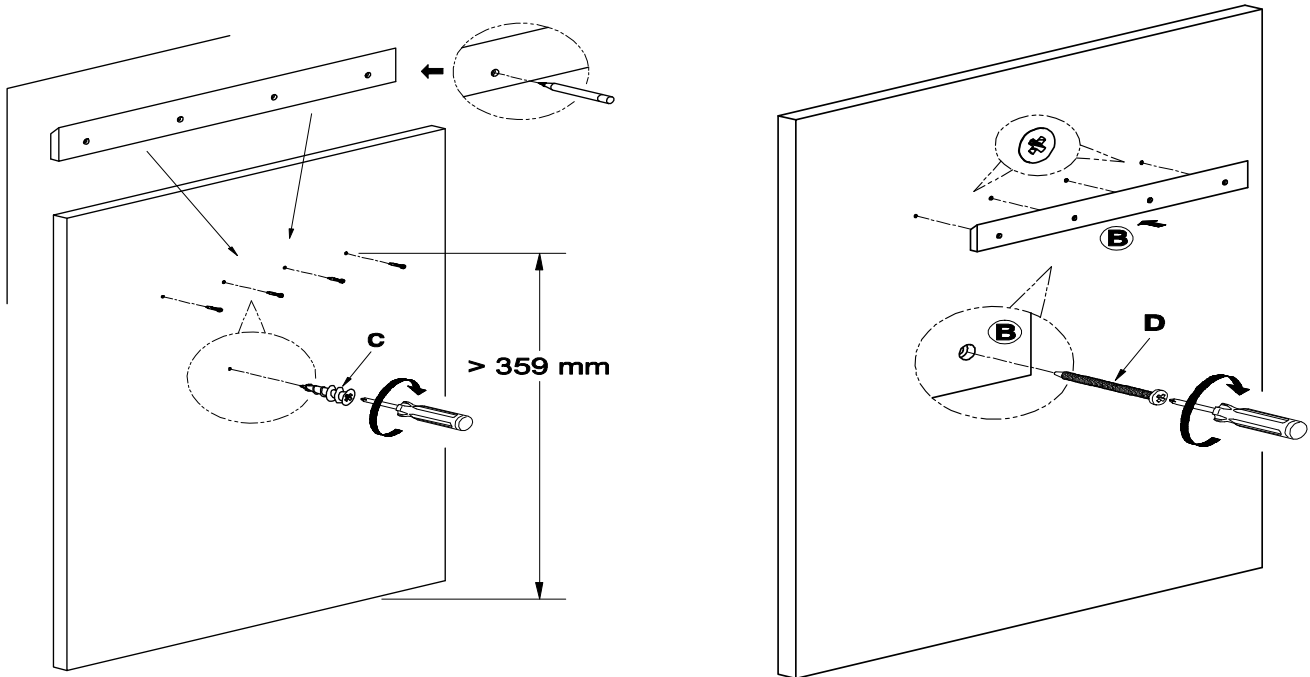
MASON SHELF

Assembly Instructions

URBAN OUTFITTERS

STEP 1

Align Wooden French Cleat (B) to wall. Mark the 4 Screw holes. It is best to use a level to make sure the Shelf hangs square. With a Phillips head screwdriver, screw Metal anchors (C) into the wall at marked hole locations, then screw Machine screws (D) into Metal anchors (C). If the hole aligns with a stud only use the screw no anchor is required.



STEP 2

With help hang the Shelf (A) onto Wooden French Cleat (B).

