

# Cairn Desk

URBAN OUTFITTERS

## Assembly Instructions

2 people are required for assembly.

### TOOLS REQUIRED BUT NOT INCLUDED:

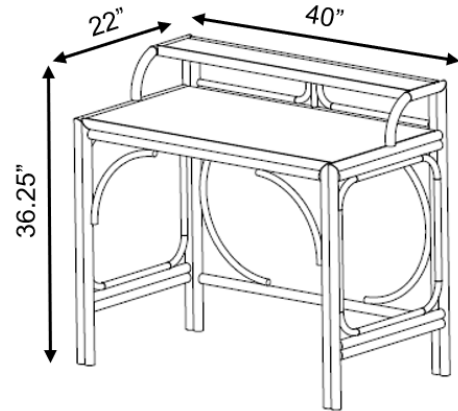
Drill, #2 Phillips head screwdriver / bit, Hammer, Pencil

### WARNINGS:

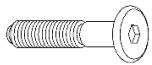
Do not throw away packing materials and carton until after assembly.  
Ensure all parts are present prior to assembly.  
Contact customer service immediately if parts are missing.  
Assemble all parts on a clean smooth surface.

### CARE INSTRUCTIONS:

Avoid direct exposure to sunlight.  
Do not place over heat or Air conditioning vents.  
Dust your wood furniture often to prevent the buildup of dust.  
Blot spills do not rub, with a clean white cloth.  
Before cleaning any part test a small spot in a hidden area.  
Natural Fiber products are designed to be used under cover.  
Clean spills with a damp cloth with warm water only.  
Do not use any harsh chemicals, abrasive cleaners or silicone or alcohol-based agents on woven materials.



### PARTS INCLUDED:



(A) Bolt  
(M6 x 40mm) x27



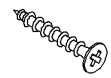
(B) Spring Washer  
(M6) x27



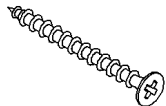
(C) Washer  
(M6) x27



(D) Hex Key  
(M4) x1



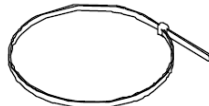
(E) Screw JF  
(#6 x 3/4") x1



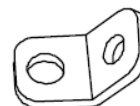
(F) Wall Screw JF  
(#6 x 1-1/2") x1



(G) Plastic Anchor  
(S6) x1



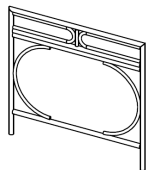
(H) Tipping Restrain  
x1



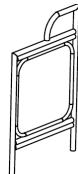
(I) Bracket  
x2



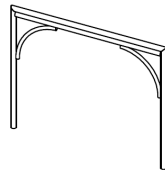
(J) Top Shelf  
x1



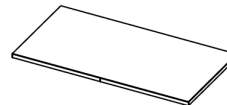
(K) Back Frame  
x1



(L) Side Frame Left &  
Right  
x2



(M) Front Frame  
x1



(N) Tabletop  
x1

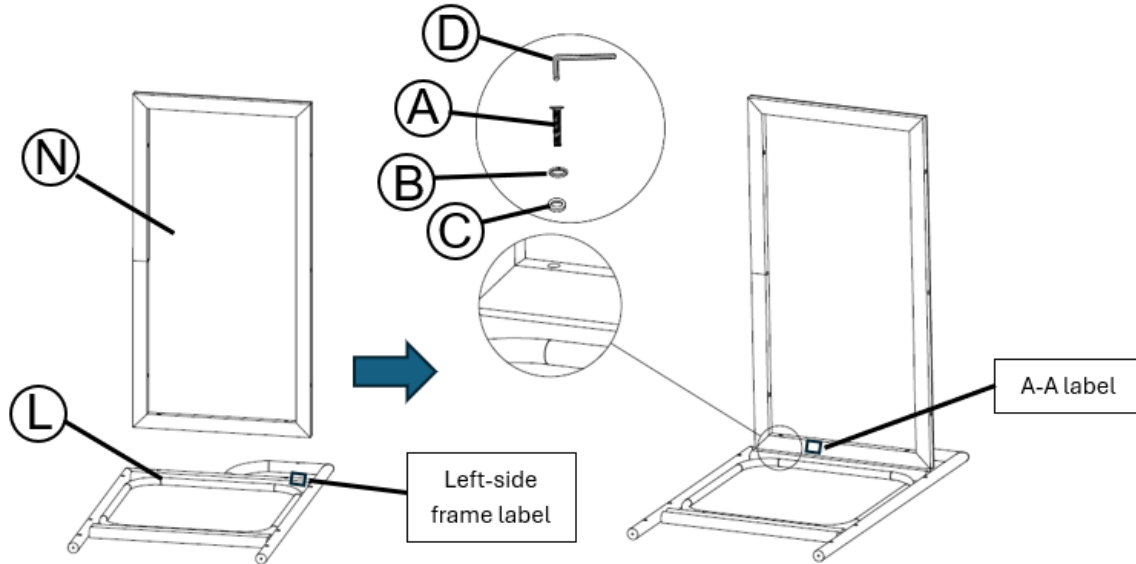
# Cairn Desk

## Assembly Instructions

URBAN OUTFITTERS

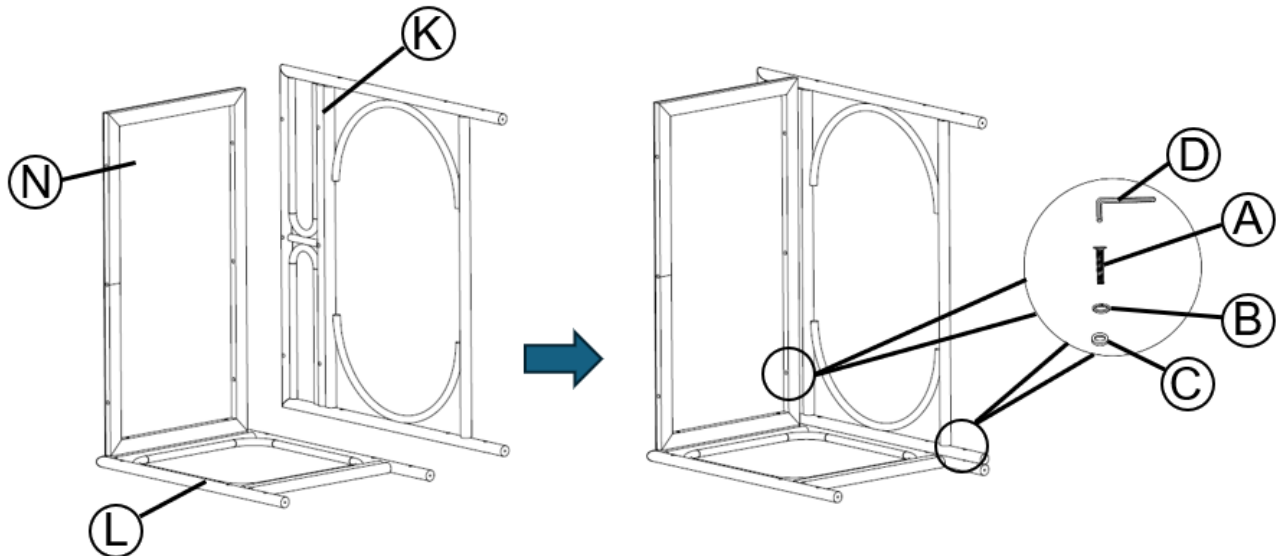
### STEP 1

With help, place the left-side frame (L) onto a smooth clean surface. Align the tabletop (N) to the left-side frame (L) as shown. Insert bolt (A), spring washer (B), and washer (C) as shown, then tighten with hex key (D).



### STEP 2

Assemble the back frame (K) to the left-side frame (L) and the tabletop (N) as shown. Insert bolt (A), spring washer (B), and washer (C) as shown, then tighten with hex key (D).



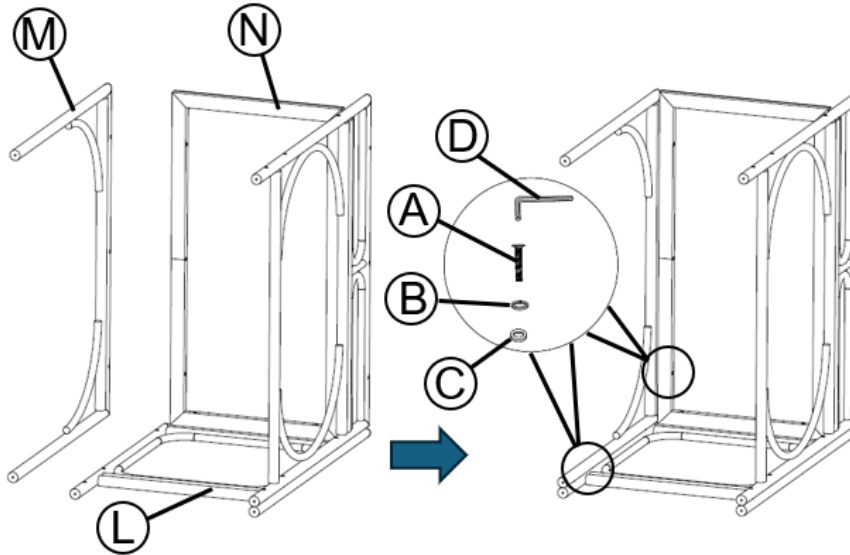
# Cairn Desk

## Assembly Instructions

URBAN OUTFITTERS

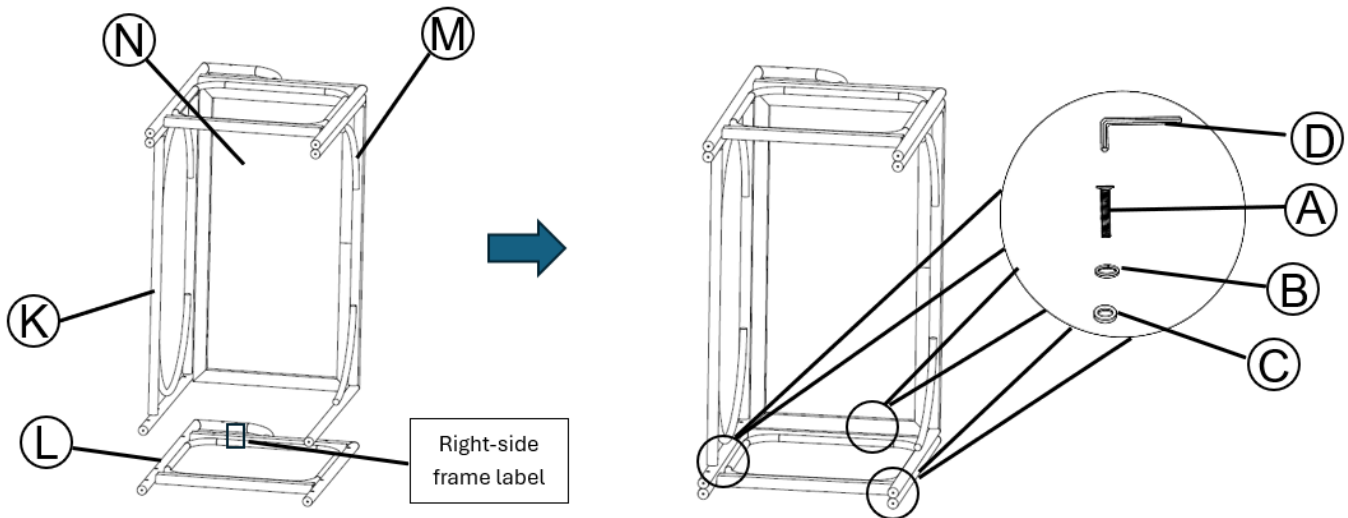
### STEP 3

Assemble the front frame (M) to the left-side frame (L) and the tabletop (N) as shown. Insert bolt (A), spring washer (B), and washer (C) as shown, then tighten with hex key (D).



### STEP 4

Assemble the right-side frame (L) to the front frame (M), the back frame (K) and the tabletop (N) as shown. Insert bolt (A), spring washer (B), and washer (C) as shown, then tighten with hex key (D).



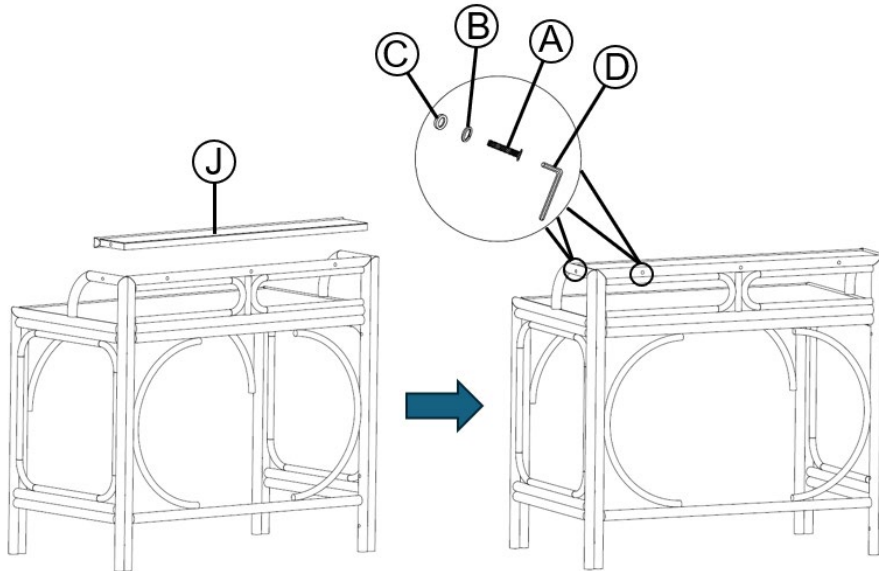
# Cairn Desk

## Assembly Instructions

URBAN OUTFITTERS

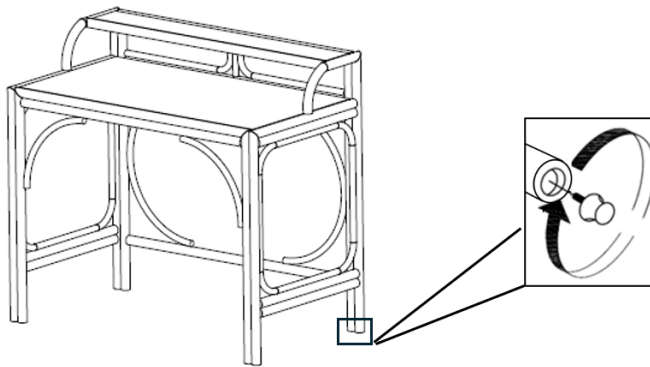
### STEP 5

Assemble the top shelf (J) to desk as shown. Insert bolt (A), spring washer (B), and washer (C) as shown, then tighten with hex key (D).



### STEP 6

Adjust the levelers as necessary to accommodate uneven floors.



# Cairn Desk

## Assembly Instructions

URBAN OUTFITTERS

### STEP 7

- A) Align the bracket (E) to the top back of the desk (F), as shown. Insert screw (A) and tighten with a Phillips head screwdriver (not included). Place the second bracket (E) against the wall directly behind the desk and mark the location.
- B) Wood or Stud installation:  
Insert screw (B) through the second bracket (E). Use a Phillips head screwdriver or drill to fasten the screw (B) directly into the wall at the marked location.  
Drywall installation:  
Insert the plastic anchors (C) into the wall at the marked locations using a hammer and a drill. Insert the screw (B) through the second bracket (E) and into the anchors, then tighten with a Phillips head screwdriver or drill.
- C) Place the desk against the wall aligning the brackets (E), then run the strap (D) through both brackets (E) and pull them tight to secure the desk.

**The included hardware is intended for attachment to drywall or wooden wall surfaces, contact your local hardware store to find the correct anchor for alternative wall-types such as stone or brick.**

