

EMMETT SMALL SHELF

URBAN OUTFITTERS

Assembly Instructions

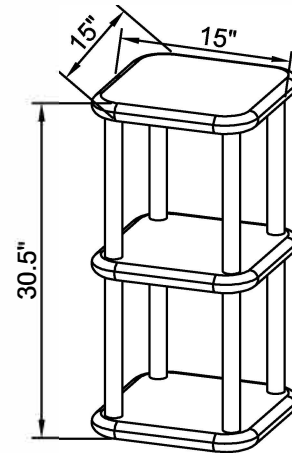
NO ADDITIONAL TOOLS REQUIRED

WARNINGS:

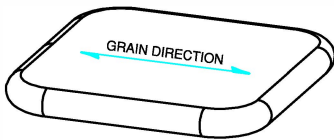
Do not throw away packing materials and carton until after assembly. Ensure all parts are present prior to assembly. Contact customer service immediately if parts are missing. Assemble all parts on a clean smooth surface.

CARE INSTRUCTIONS:

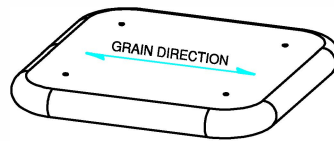
Avoid direct exposure to sunlight.
Do not place over heat or air conditioning vents.
Adjust levelers so that the furniture sits flat on uneven floors.
Blot spills with a clean white cloth, do not rub.
Do not use harsh chemicals.
Before cleaning any part test a small spot in a hidden area.
You may need to re-tighten all bolts after initial use.



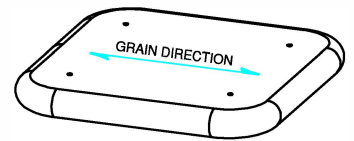
PARTS INCLUDED



(A) TOP
x1



(B) BOTTOM
x1



(C) SHELF
x1



(D) LEG
x8



(E) THREADED ROD [M6 X 60MM]
x4



(F) THREADED ROD [M6 X 35MM]
x4



(G) ROUND HEAD ALLEN BOLT [6 X 60 MM]
x4



(H) WASHER [16MM]
x4

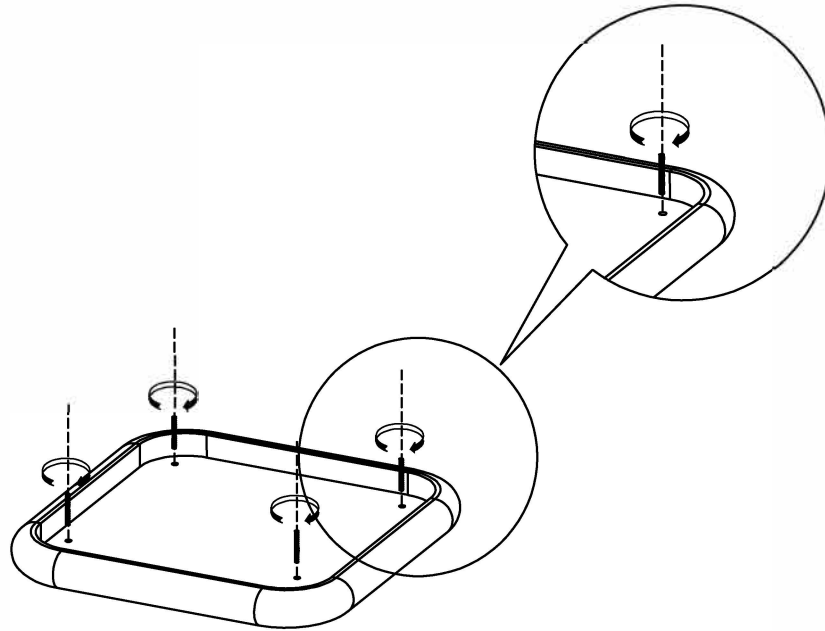


(I) ALLEN KEY [4MM]
x1

Assembly Instructions

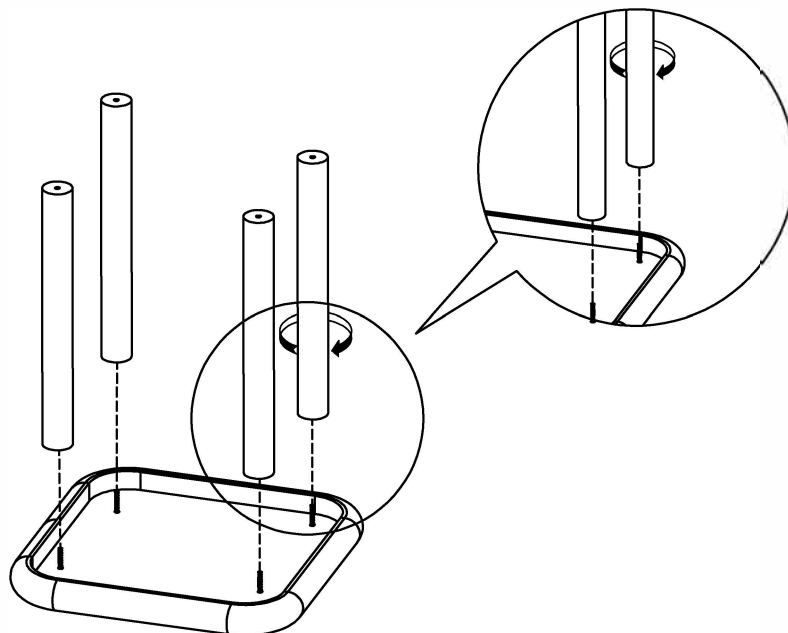
STEP 1

Place Top (A) upside down onto a clean smooth surface. Align the Threaded Rod (F) with Top (A) as shown and screw in until tight.



STEP 2

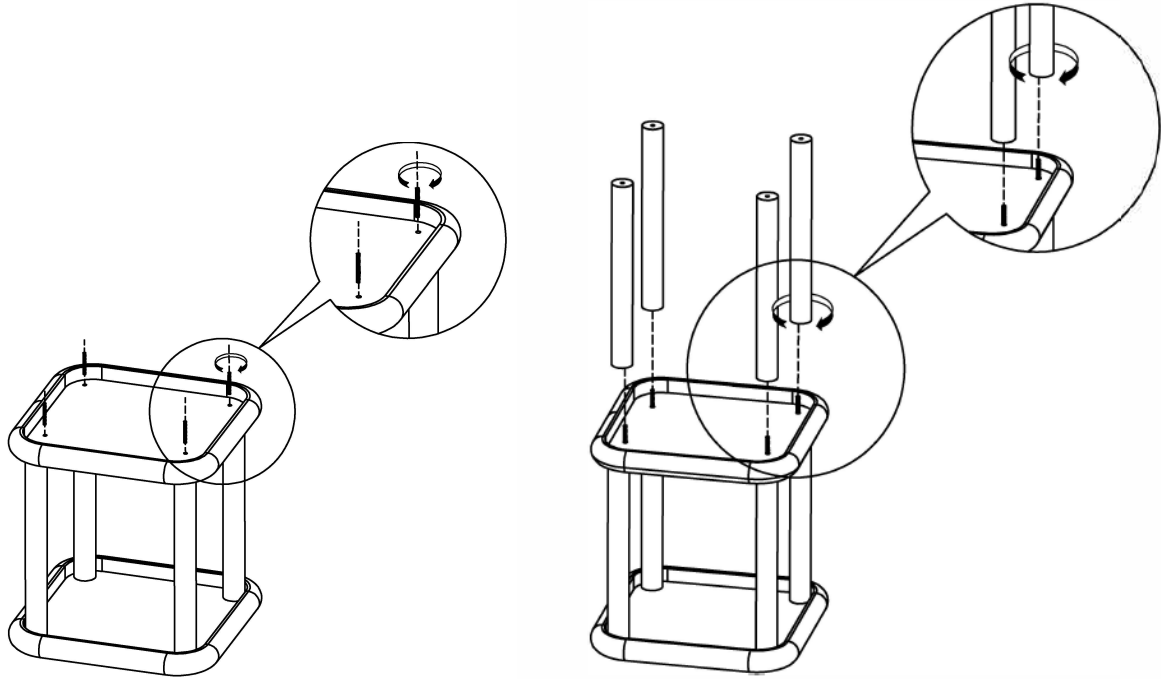
Screw the Legs (D) into the threaded rod (F) as shown.



Assembly Instructions

STEP 3

Align the holes in Shelf (C) with Legs (D) as shown then, screw the threaded rod (E) into the Legs (D). Screw the additional Legs (D) onto the threaded studs.



STEP 4

Align the Bottom (C) with Legs (D) as shown. Insert Allen bolt (G) & Washer (H) then, tighten with supplied Hex key (I). Flip the table over onto its base to complete assembly.

