

# RATTAN CONSOLE

URBAN OUTFITTERS

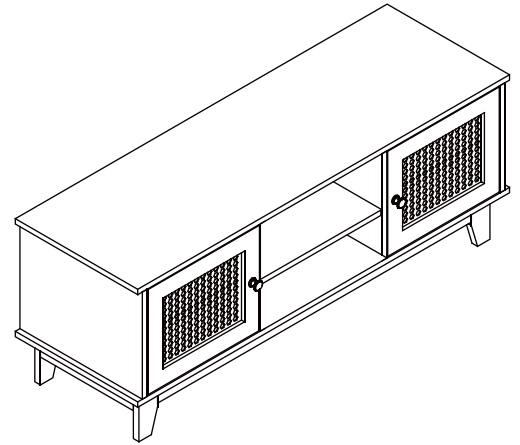
## Assembly Instructions

### TOOLS REQUIRED BUT NOT INCLUDED:

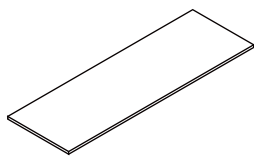
Do not throw away packing materials and carton until after assembly.  
Assemble all parts on a clean smooth surface

### CARE INSTRUCTIONS:

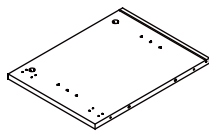
Avoid direct exposure to sunlight. Do not place over heat or Air conditioning vents.  
Adjust levelers so that the furniture sits flat on uneven floors.  
Blot spills do not rub, with a clean white cloth.  
Do not use harsh chemicals.  
Before cleaning any part test a small spot in a hidden area.  
You may need to re-tighten all bolts after initial use.



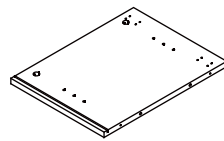
### PARTS INCLUDED



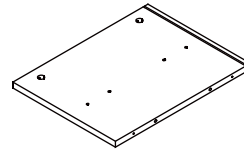
Ax1



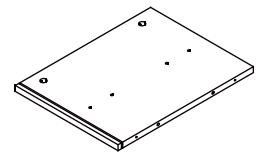
Bx1



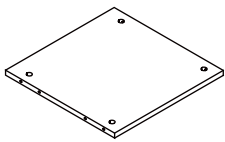
Cx1



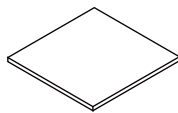
Dx1



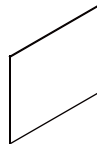
Ex1



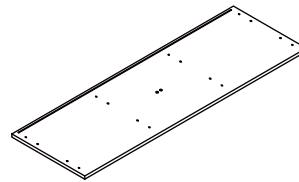
Fx1



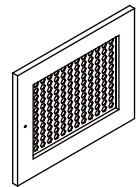
Gx2



Hx2



Ix1



Jx2



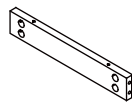
Kx2

(a) Hinge  
4pcs



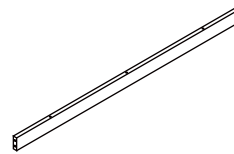
Lx2

(b) Wooden dowel  
[M6x30mm] x20pcs



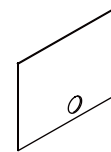
Mx2

(c) Screw  
[M4x40mm] x20pcs



Nx2

(d) Door knob  
2pcs



Ox1

(e) Screw  
[M4x16mm] x2pcs



Px1

(f) Shelf support  
8pcs



(g) Screw  
[M4x12mm] x24pcs



(h) Cam bolt  
[M6x35mm] x32pcs



(i) Cam lock  
[M15x9.6mm] x32pcs



(j) Screw  
[M3x14mm] x12pcs



(k) Wedge  
12pcs

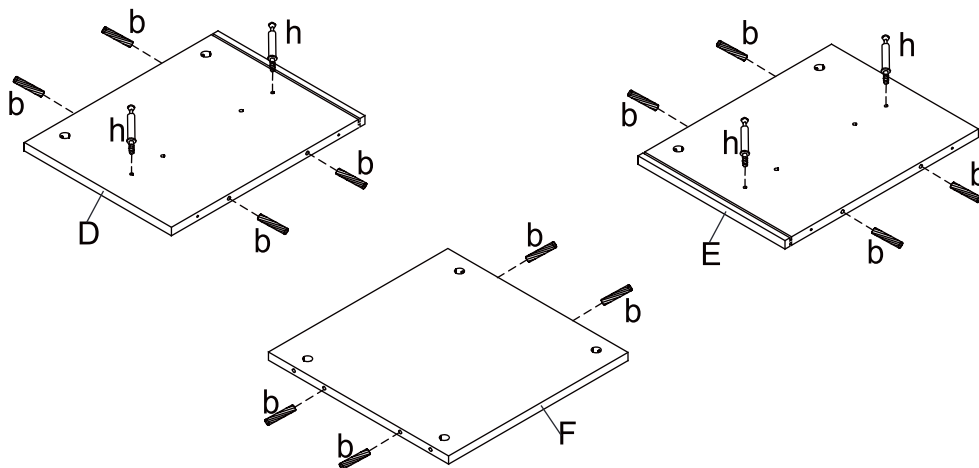


# RATTAN CONSOLE

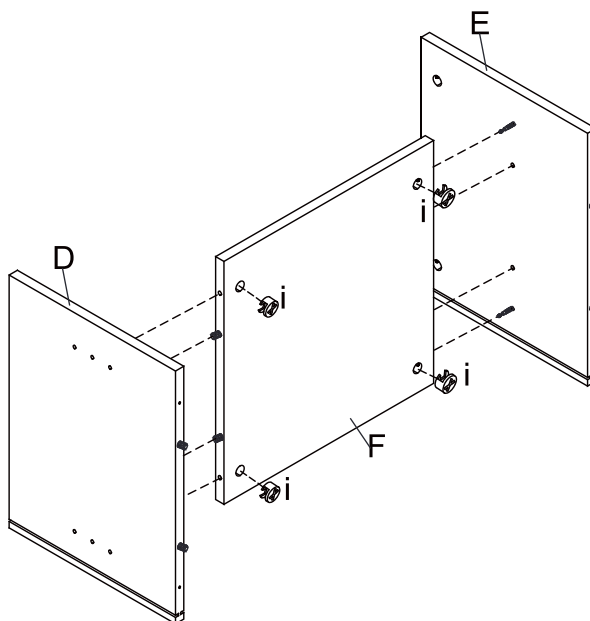
## Assembly Instructions

URBAN OUTFITTERS

STEP 1. Lay the panels (D,E,F) onto a clean smooth surface such as carpet or cardboard. Align dowels (b) and press firmly into place. Screw in cam bolts (h) as shown.



STEP 2. Align panels (E and D) with Panel (F) as shown. Press firmly together. Insert cam locks (i) into the holes. Using a screwdriver turn the cam locks clockwise until completely tight.

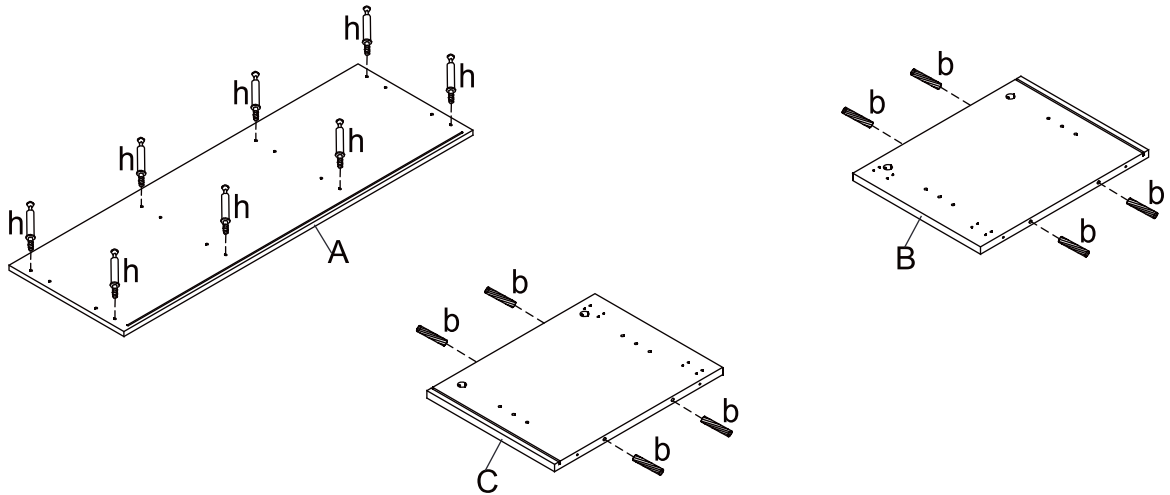


# RATTAN CONSOLE

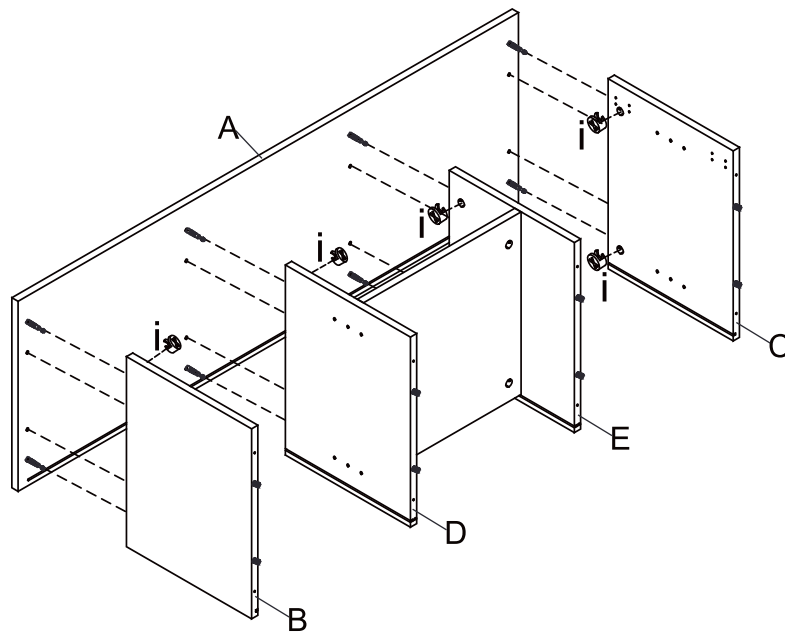
URBAN OUTFITTERS

## Assembly Instructions

STEP 3. Lay the panels (A, C, and B) onto a clean smooth surface. Insert dowels (b) and press firmly into place. Screw in cam bolts (h).



STEP 4. Align panels as shown. Press firmly together. Insert cam locks (i). Using a screwdriver turn the cam locks clockwise until tight.

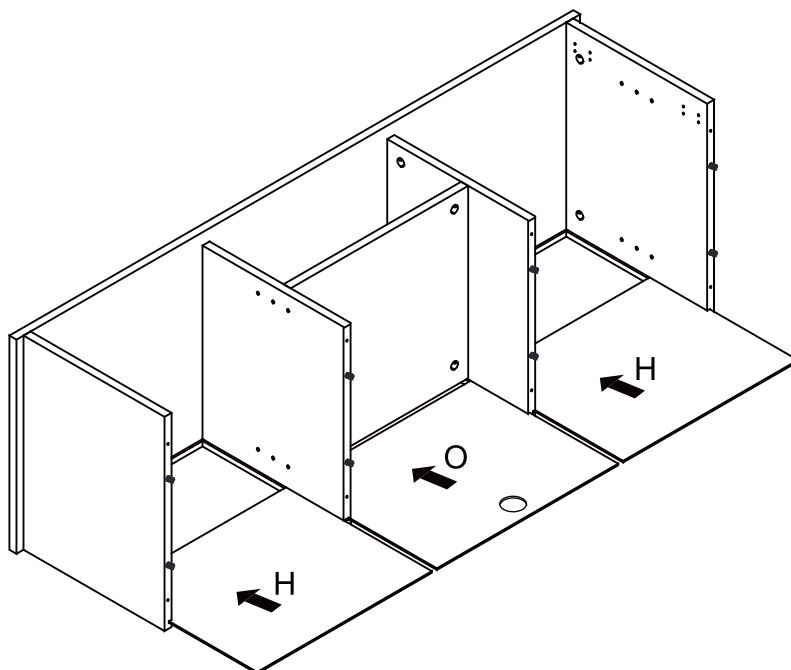


# RATTAN CONSOLE

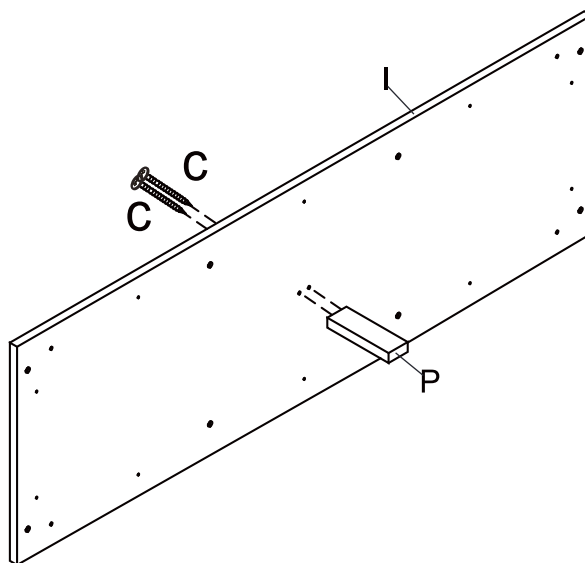
## Assembly Instructions

URBAN OUTFITTERS

STEP 5. Slide back panels (H & O) into the slots as shown.



STEP 6. Align center leg (P) with panel (I) as shown. Insert screws (C). Do not overtighten!



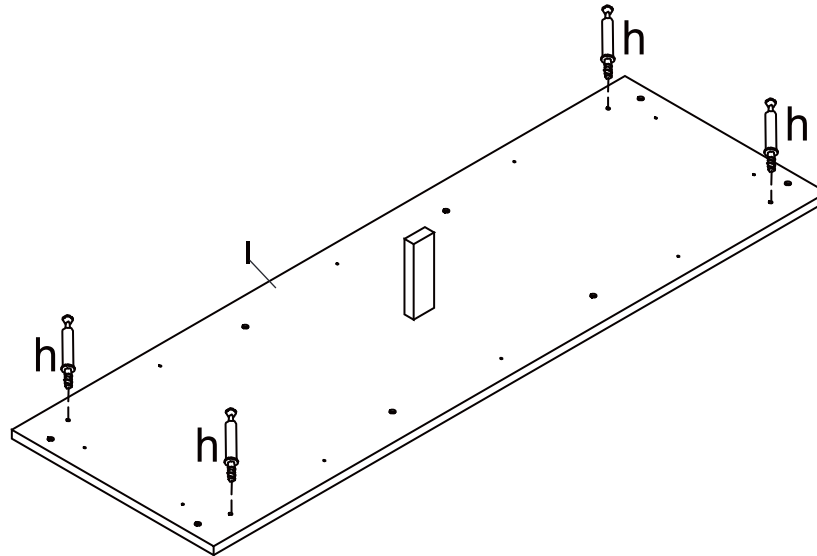
# RATTAN CONSOLE

URBAN OUTFITTERS

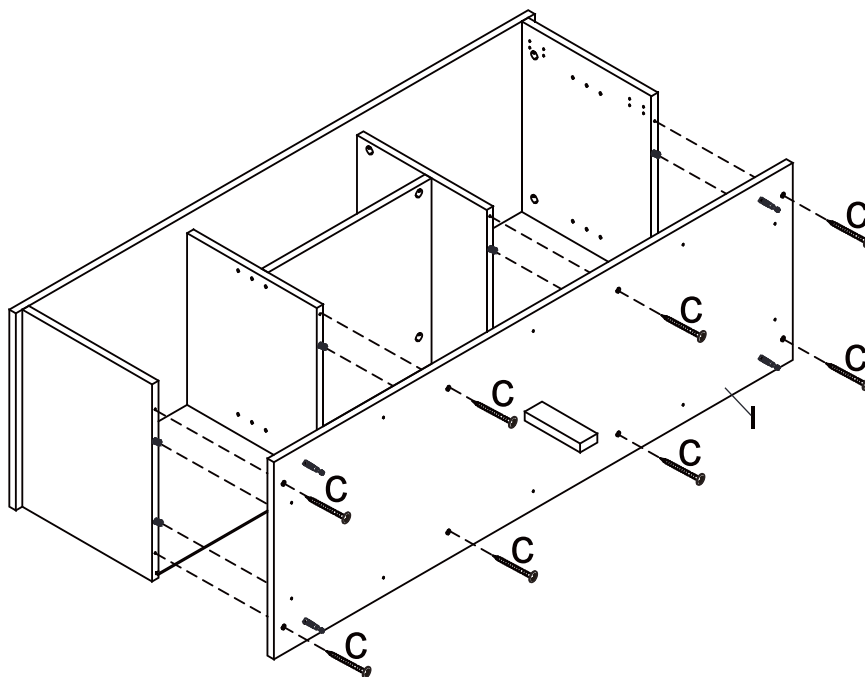
## Assembly Instructions

---

STEP 7. Screw in cam bolts (h) into the holes shown.



STEP 8. Align the bottom panel with the other panels as shown. Insert screws (c). Do not overtighten!

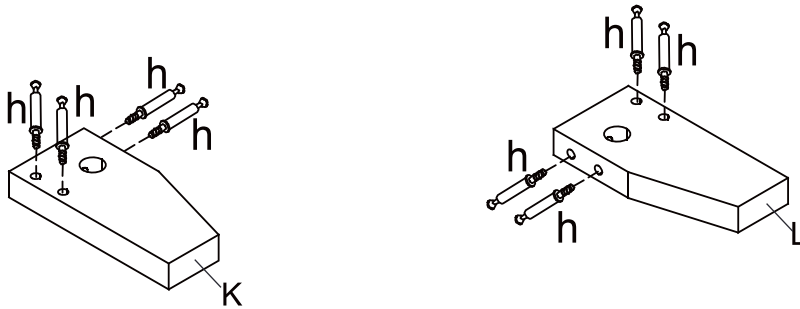


# RATTAN CONSOLE

URBAN OUTFITTERS

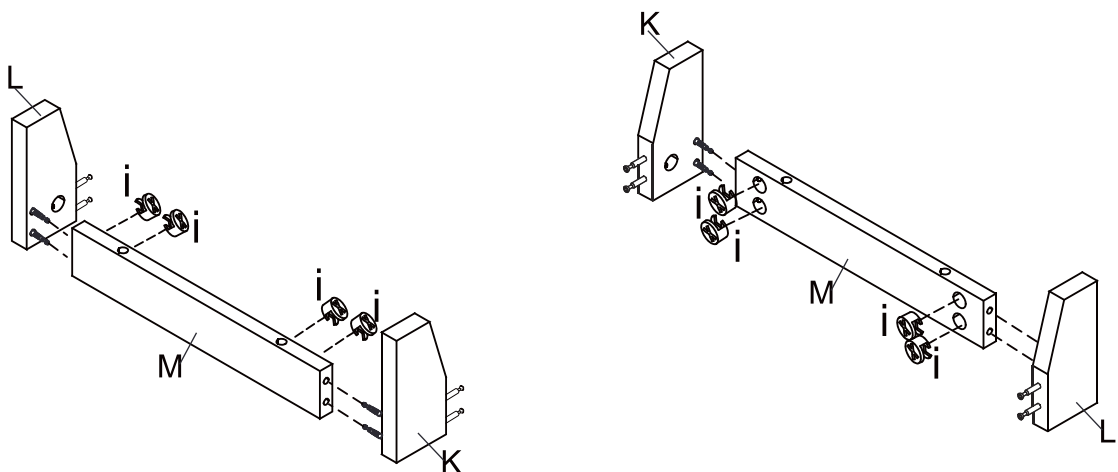
## Assembly Instructions

STEP 9. Insert com bolts (h) into the legs (K and L) as shown.



X2

STEP 10. Align legs (K and L) to rails (M). Press firmly together. Insert cam locks (i). Turn clockwise until tight.

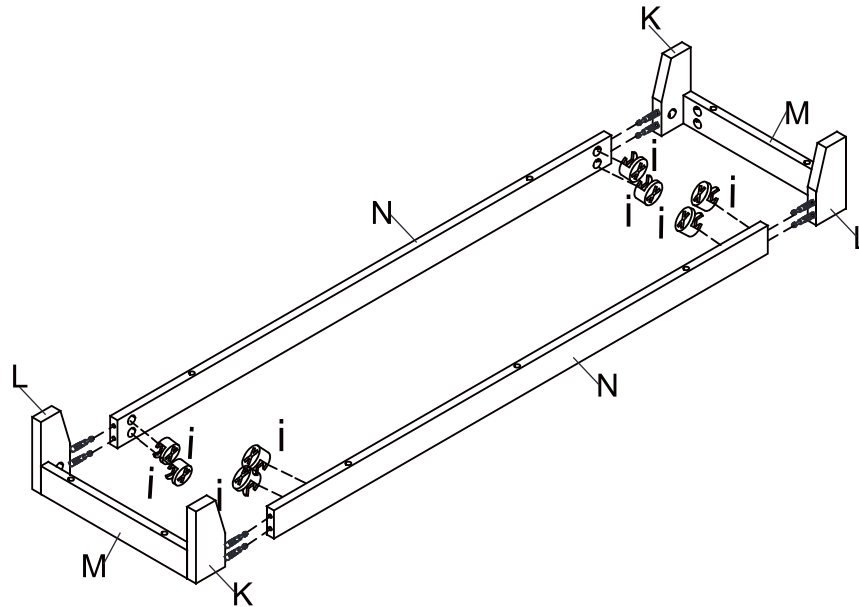


# RATTAN CONSOLE

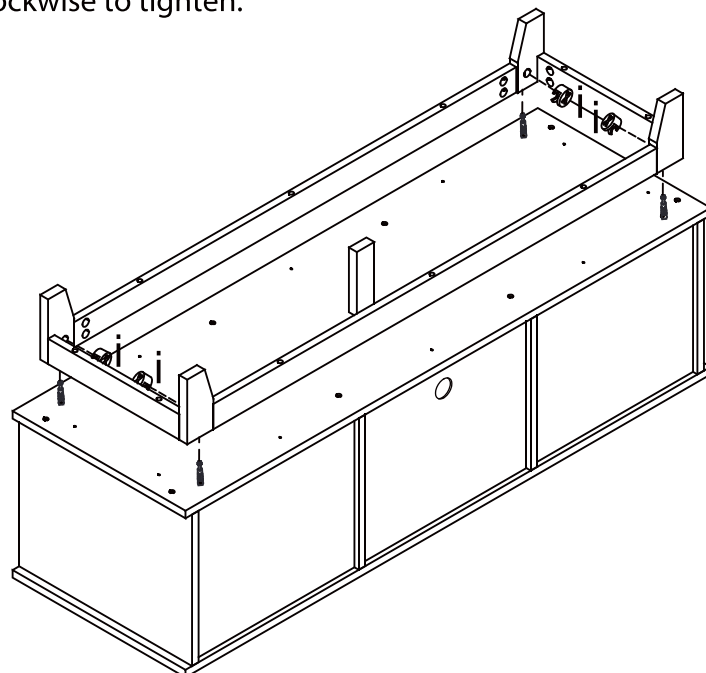
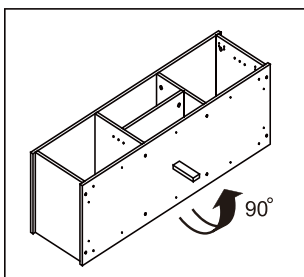
URBAN OUTFITTERS

## Assembly Instructions

STEP 11. Align rails (N) with the legs assemblies from step 10. Press firmly together. Insert cam locks (i). Turn clockwise to tighten.



STEP 12. With help flip the cabinet over and align the base as shown. Press firmly onto the bottom. Insert cam locks(i). Using a screwdriver turn them clockwise to tighten.

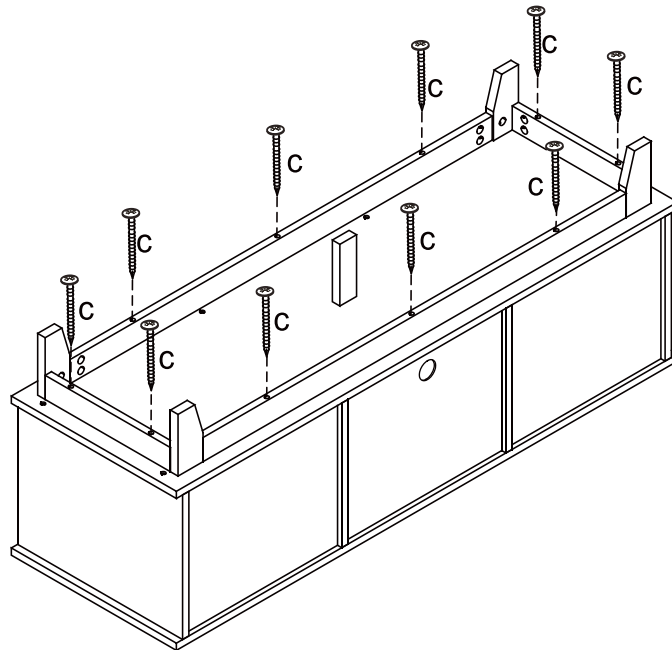


# RATTAN CONSOLE

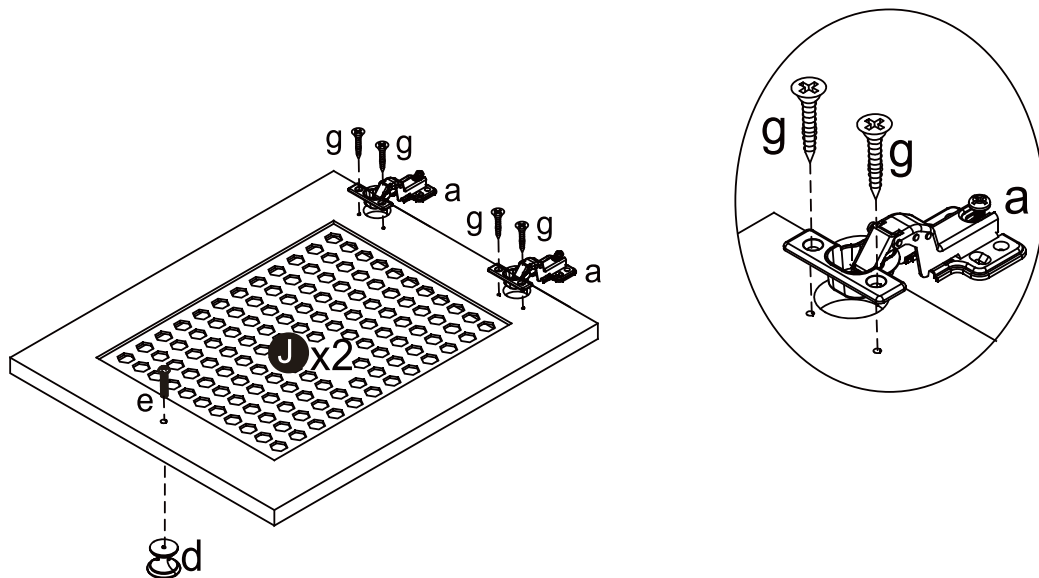
URBAN OUTFITTERS

## Assembly Instructions

STEP 13. Insert screws (c). Do not overtighten.



STEP 14. Align hinges (a). Press firmly into place. Insert screws (g). Do not overtighten.



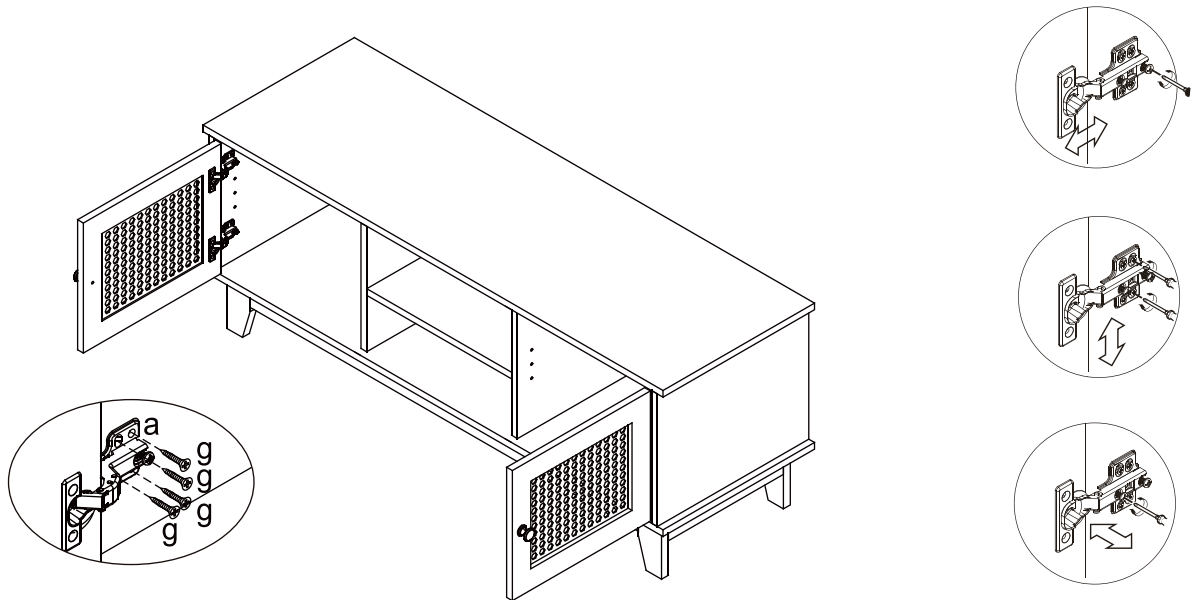


# RATTAN CONSOLE

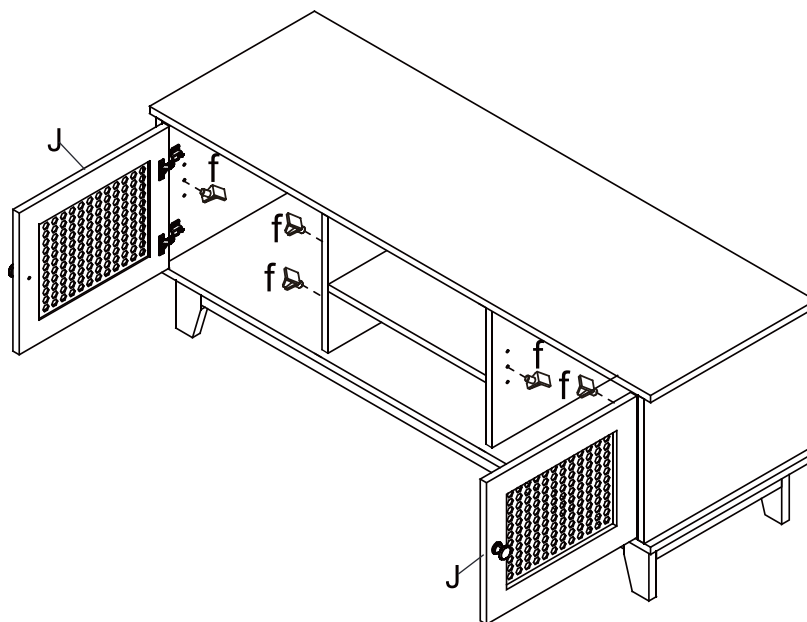
URBAN OUTFITTERS

## Assembly Instructions

STEP 15. With help flip the case upright. Align doors to case. Insert screws into pre-drilled holes in the panels. Adjust the doors as shown.



STEP 16. Screw on door handles as shown.

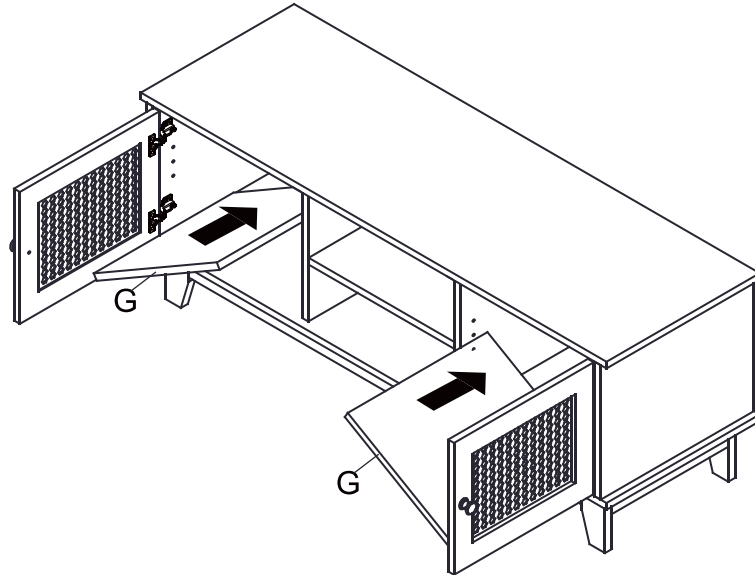


# RATTAN CONSOLE

URBAN OUTFITTERS

## Assembly Instructions

### STEP 17. Insert shelves



### STEP 18. Insert corner brackets (k) into back panels as shown. Insert screws (j). Do not overtighten.

