

# HEART HOOK / FURNITURE KNOB

# URBAN OUTFITTERS

## Assembly Instructions

### TOOLS REQUIRED BUT NOT INCLUDED:

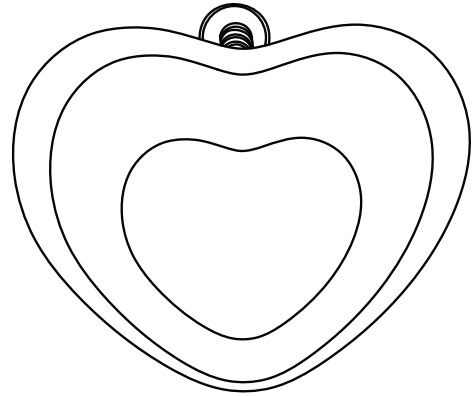
Drill, Phillips head screwdriver driver, Pencil

### WARNINGS:

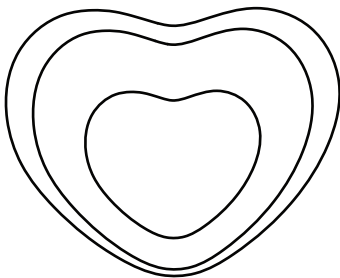
Do not throw away packing materials and carton until after assembly.  
Ensure all parts are present prior to assembly.  
Contact customer service immediately if parts are missing.  
Assemble all parts on a clean smooth surface.

### CARE INSTRUCTIONS:

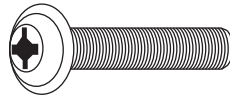
Avoid direct exposure to sunlight.  
Do not place over heat or air conditioning vents.  
Adjust levelers so that the furniture sits flat on uneven floors.  
Blot spills with a clean white cloth, do not rub.  
Do not use harsh chemicals.  
Before cleaning any part test a small spot in a hidden area.  
You may need to re-tighten all bolts after initial use.



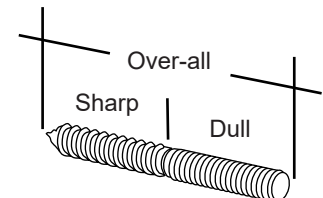
### PARTS INCLUDED:



(A) Hook / Knob  
x1



(B) Screw (for knob installation)  
[0.16"Ø x 1.6" L]  
or  
[4mm Ø, 40mm L]  
x1



(C) Double sided screw (for hook installation)  
[0.16"Ø x 1" L Sharp / .6 Dull; 1.6" over-all]  
or  
[4mm Ø, 24 mm L Sharp / 16 Dull; 40mm over-all]  
x1



(D) Wall Anchor (for hook installation)  
[0.35"Ø x 1.38" L]  
or  
[9Ø x 35 mm]  
x1

# HEART HOOK / KNOB

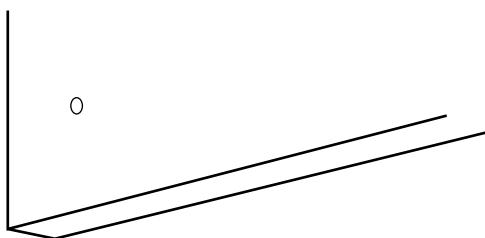
## Assembly Instructions

URBAN OUTFITTERS

### Knob Installation:

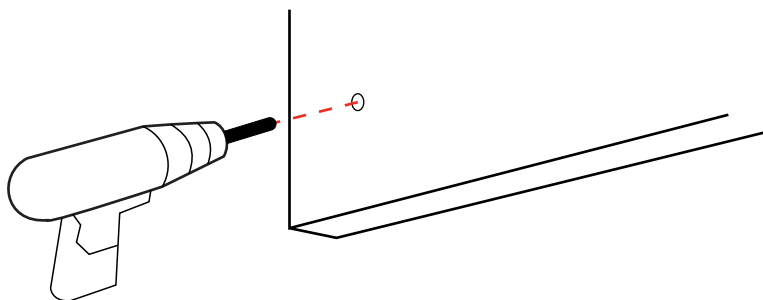
#### STEP 1

Determine a location for the knob (A) on the wooden portion of a door or drawer and use a pencil to mark the location. Use existing holes if possible.



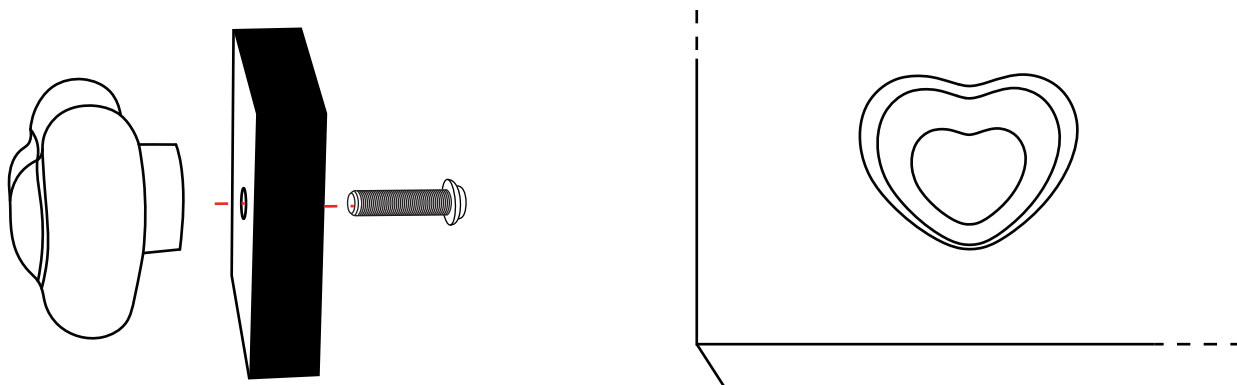
#### STEP 2

Use a drill bit ~1 mm larger than the screw (B) to make a hole in the door or drawer at the marked location.



#### STEP 3

Use a Phillips head screw driver to fasten the Knob (A) to the door or drawer with screw (B). Do not over-tighten the screw (B).



# HEART HOOK / KNOB

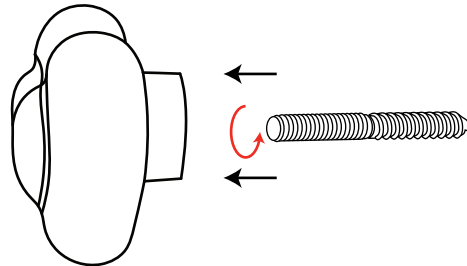
## Assembly Instructions

URBAN OUTFITTERS

### Hook Installation:

#### STEP 1

Screw the dull end of the double sided screw (C) into the back of the Hook (A). Do not over-tighten the double sided screw (C).

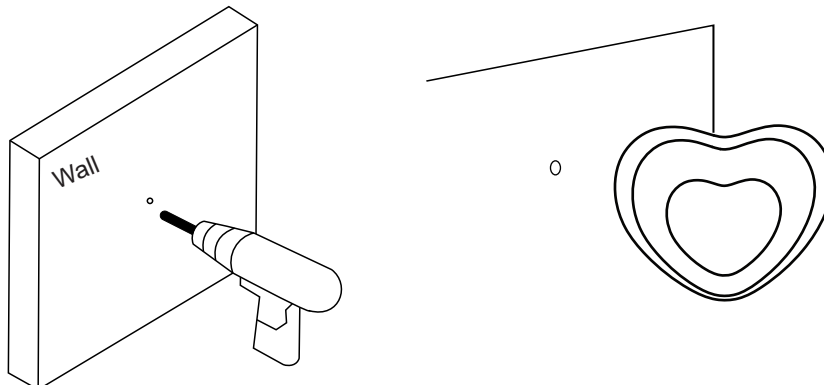


#### STEP 2

Use a pencil to mark the wall in the desired location of the hook (A).

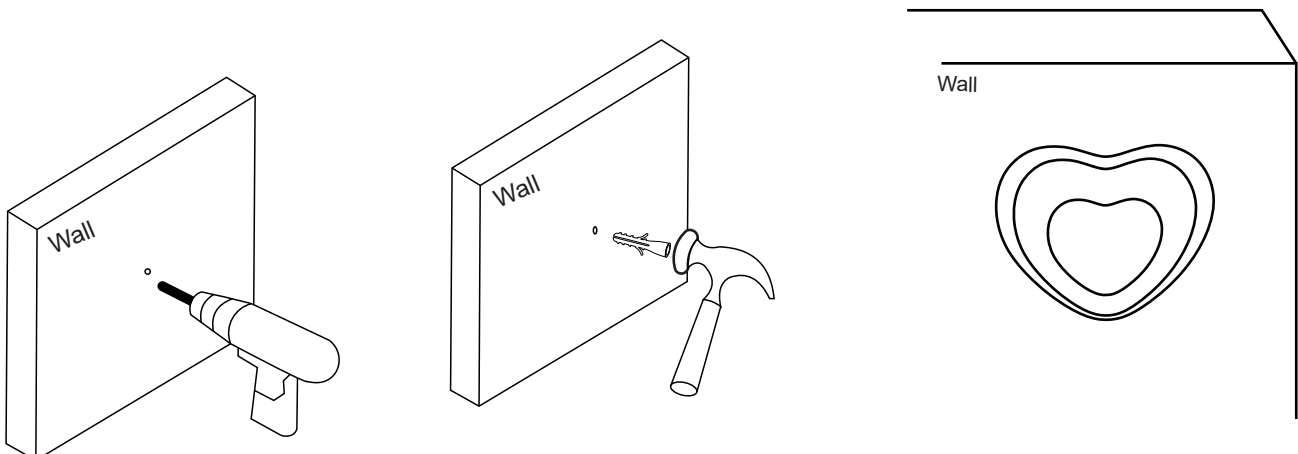
#### Stud installation:

Pre-drill a hole for the double sided screw (C) in the wall at the marked location. Use a drill bit ~ 1/16" or 1.5mm smaller than the double sided screw (C) to make the hole. Screw the assembled hook (A) into the wall clock wise to finish the installation. Do not over-tighten the hook (A).



#### Drywall installation:

Pre-drill a hole for the anchor (D) in the wall at the marked location and insert anchor (D) into the hole using a hammer. Use a drill bit roughly the same size or slightly smaller than the anchor (D) to make the hole. Screw the assembled hook (A) into the anchor (D) clock wise to finish the installation. Do not over-tighten the hook (A).



**The included hardware is intended for attachment to drywall or wooden wall surfaces, contact your local hardware store to find the correct anchor for alternative wall-types such as stone or brick.**