

KANE VANITY

Assembly Instructions

URBAN OUTFITTERS

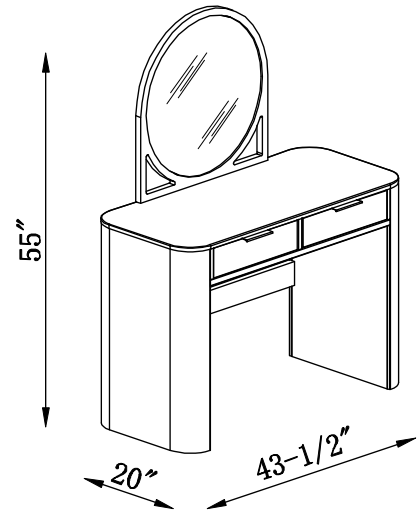
TOOLS REQUIRED BUT NOT INCLUDED: Phillips head screwdriver

WARNINGS:

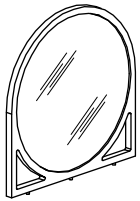
Do not throw away packing materials and carton until after assembly.
Assemble all parts on a clean smooth surface.

CARE INSTRUCTIONS:

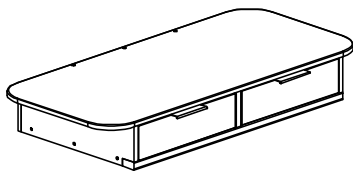
Avoid direct exposure to sunlight.
Do not place overhead or air conditioning vents.
Adjust levelers so that the furniture sits flat on uneven floors.
Blot spills do not rub, with a clean white cloth.
Do not use harsh chemicals.
Before cleaning any part test a small spot in a hidden area.
You may need to re-tighten all bolts after initial use.



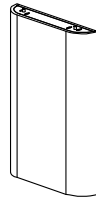
PARTS INCLUDED



(A) Mirror
x1



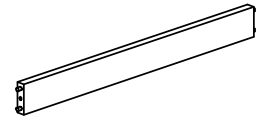
(B) Base
x1



(C) Left Leg
x1



(D) Right Leg
x1

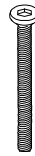


(E) Stretcher
x1

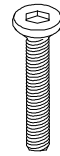
HARDWARE LIST



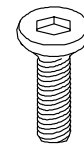
(F) Hex key
x1



(G) Bolt
[1/4" x 2"] x2



(H) Bolt
[1/4" x 1"] x10



(I) Bolt
[1/4" x 5/8"] x8



(J) Spring washer
[1/4"] x20



(K) Flat washer
[1/4"] x20



(L) Half moon metal block
x2



(M) Connection bracket
x2



(N) Nylon strip
x1



(O) Bracket
x2



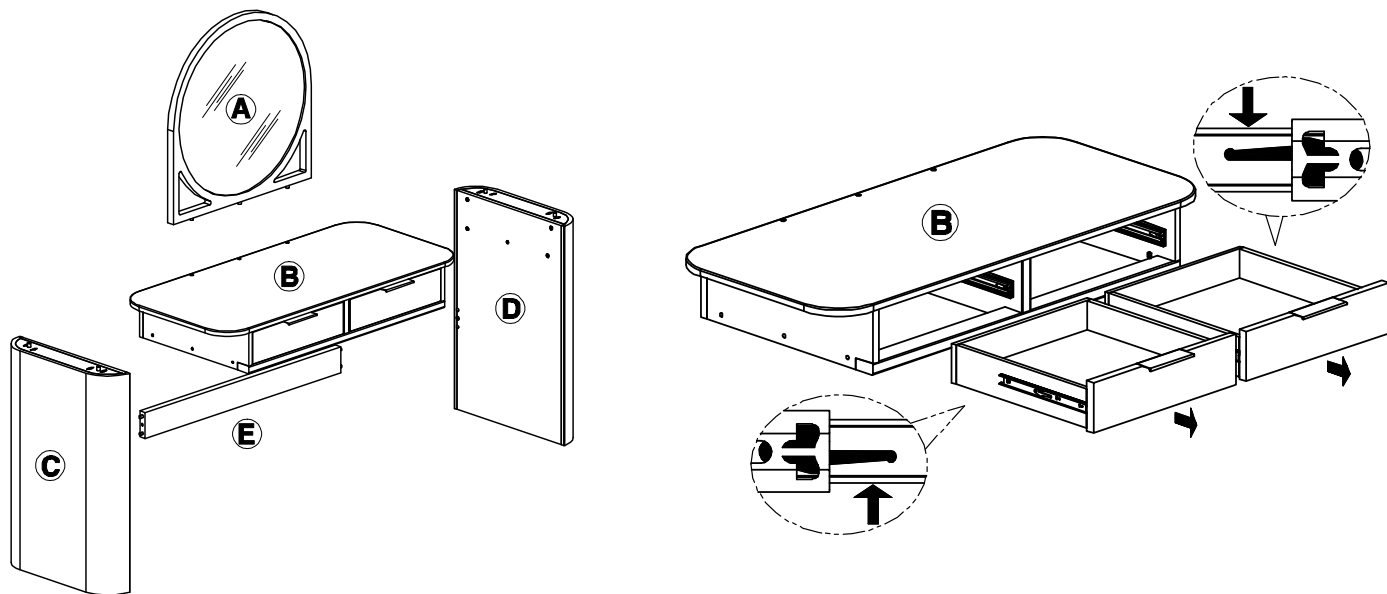
(P) Screw
[M3 x 32mm] x2



(Q) Screw
[M3 x 19mm] x2

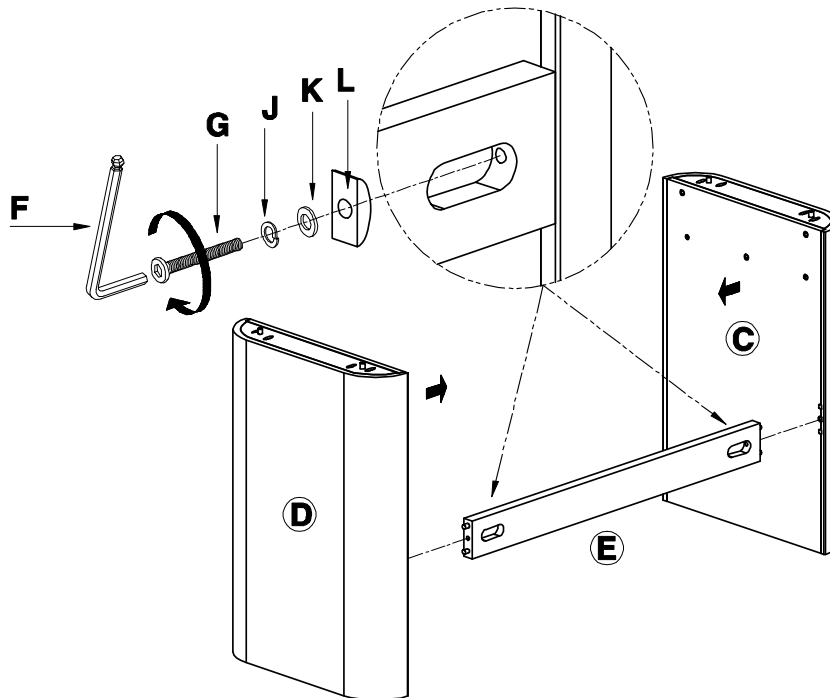
STEP 1

With help lay the parts out onto a clean smooth surface such as carpet or cardboard. Pull out the drawer as far as it will go. Locate the plastic tabs in the center of the drawer guides as shown in the image below. Plastic locks on slides (push upwards), plastic drawer stopper on rail (push down) and pull the drawer firmly to remove it.



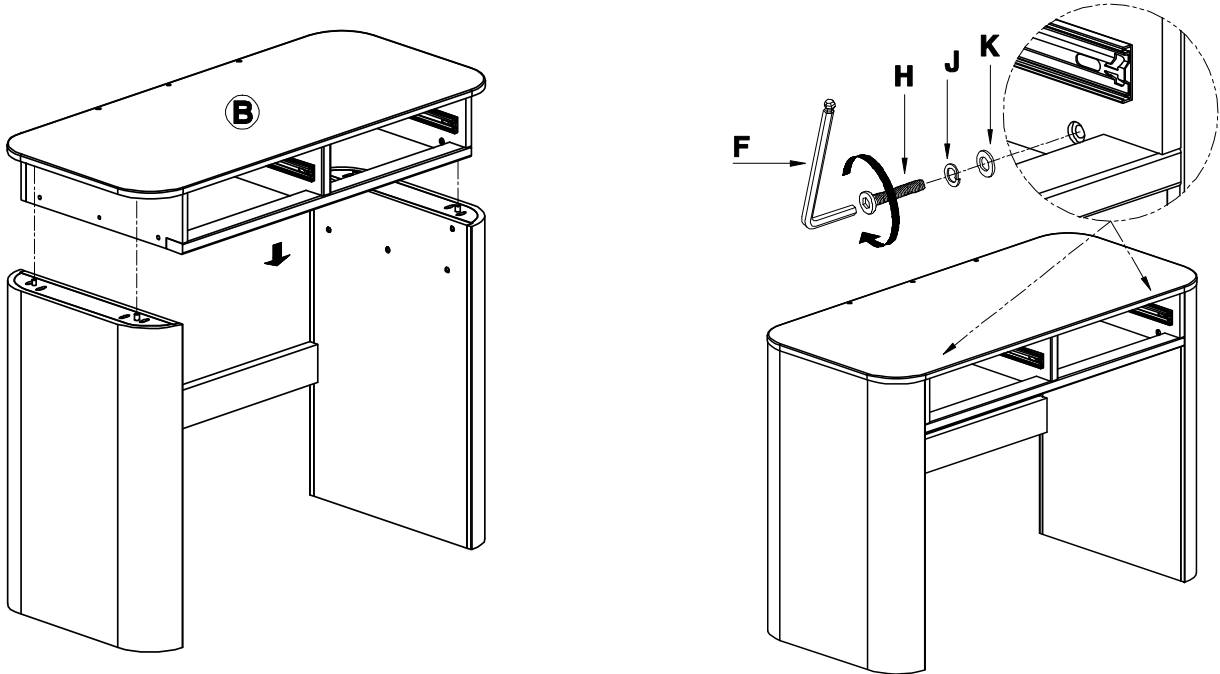
STEP 2

Align the Stretcher (E) with the Legs (C) & (D) and press firmly into place. Locate the holes in the Stretcher and insert Half Moon Metal Block (L), Flat Washer (K), Spring Washer (J) and Bolt (G). Tighten with supplied Hex Key (F). Do not over tighten.



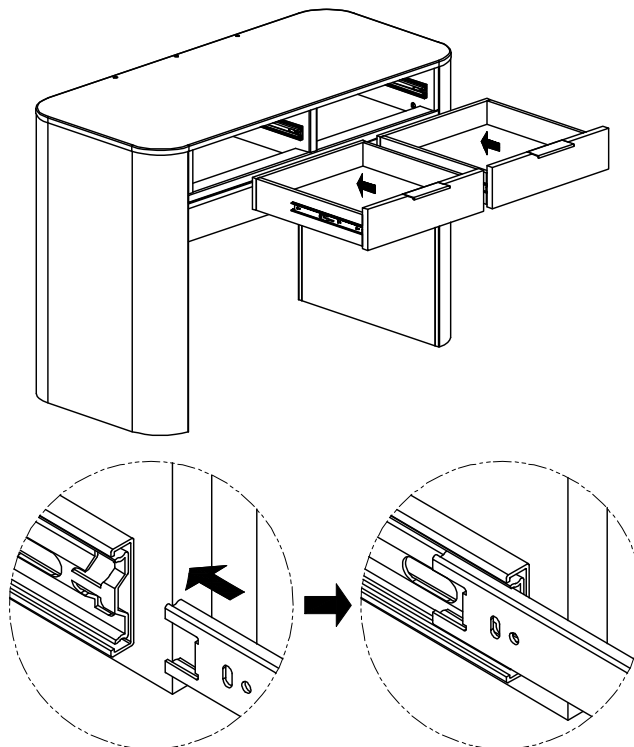
STEP 3

Stand the Case upright and locate the holes in the bottom of Base. Align the Base (B) with the Leg and press firmly into place. Insert Flat Washer (K), Spring Washer (J) and Bolt (H). Tighten with supplied Hex Key (F). Do not over-tighten.



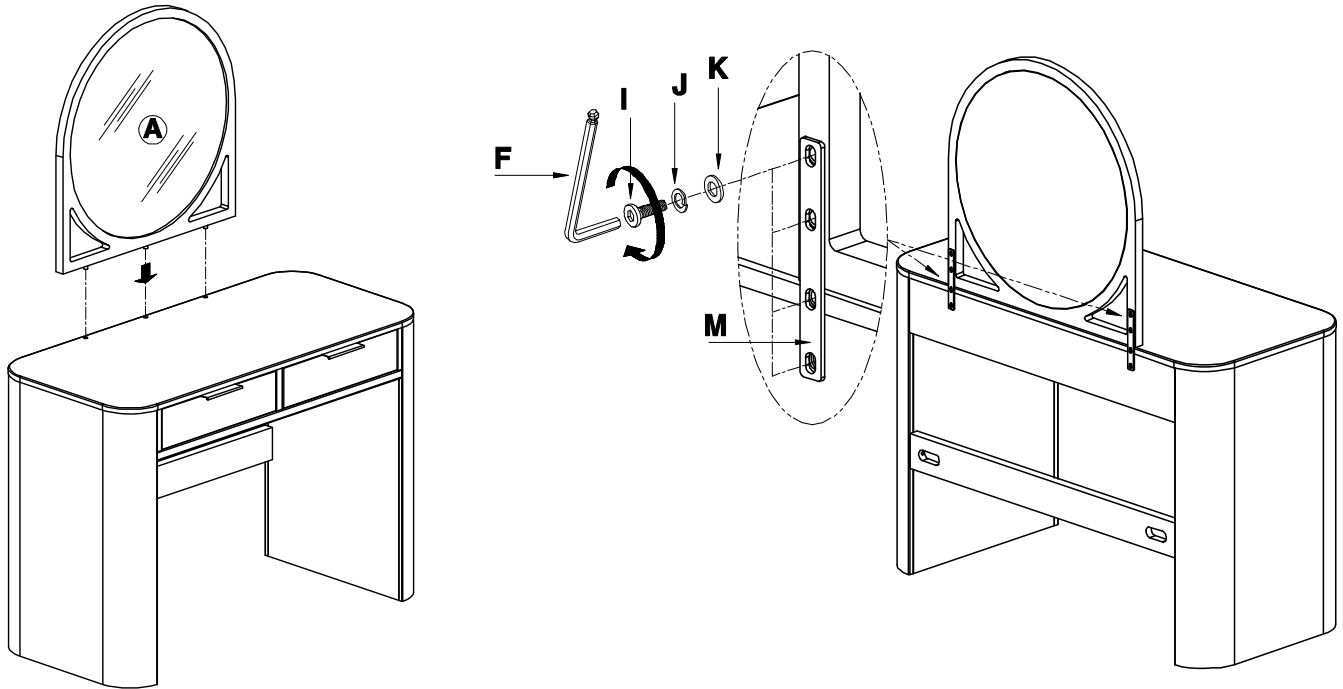
STEP 4

Carefully align the drawers with the guides and push the drawer back into the Case. Open and close the drawer until the slides click into place.



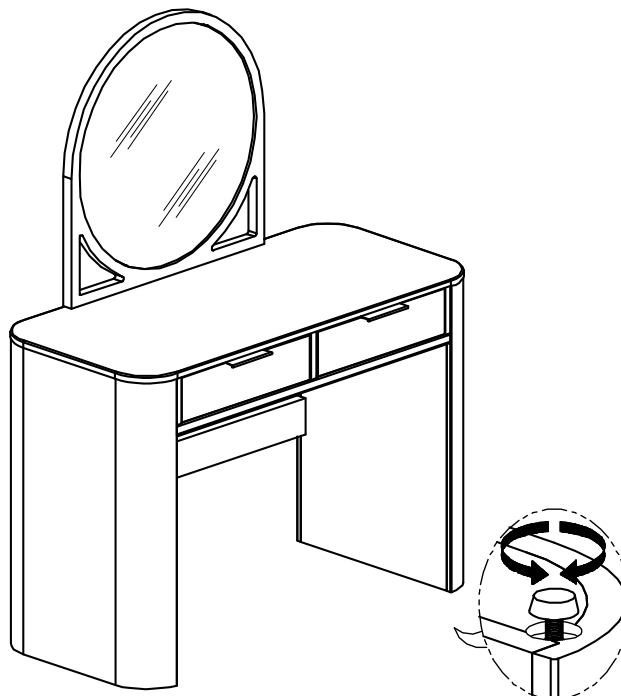
STEP 5

Locate the holes in the Base. Align the Mirror (A) to the Base and press firmly into place as shown. Align the Connection Brackets (M) to the Mirror and Base shown. Insert Flat Washer (K), Spring Washer (J) and Bolt (I). Tighten with supplied Hex Key (F). Do not over-tighten.



STEP 6

Turn the adjustable feet so the Case sits flat on the ground.



STEP 7

- a) Align the Anti Tip Brackets (O) to the Top back of the Case. Insert Screws (P) and tighten completely. Do not over-tighten.
- b) Contact your local hardware store to purchase the correct anchors for your wall-type.
- c) Align the second Anti Tip Bracket (O) to the wall and make sure it lines up with the bracket on the back of the case from step (a).
- d) Screw the bracket to the wall using the correct anchors.
- e) Slide the case to the wall leaving a little bit of room between the case and the wall.
- f) Feed the Nylon Strap through both brackets and pull tight.

