

Casper Console Table

URBAN OUTFITTERS

Assembly Instructions

TOOLS REQUIRED BUT NOT INCLUDED:

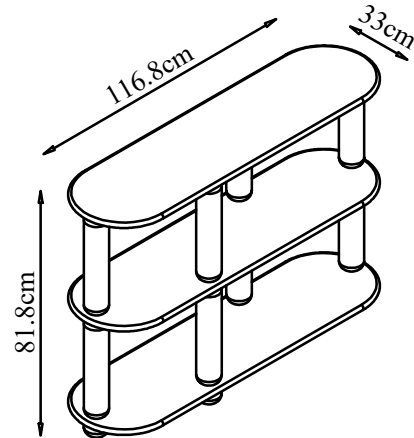
Phillips head screwdriver, Drill, Hammer, Pencil

WARNINGS:

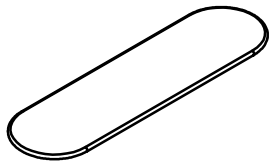
Do not throw away packing materials and carton until after assembly. Ensure all parts are present prior to assembly. Contact customer service immediately if parts are missing. Assemble all parts on a clean smooth surface. Two people recommended for assembly. Anti-Tip Hardware must be in place to ensure safety from tipping.

CARE INSTRUCTIONS:

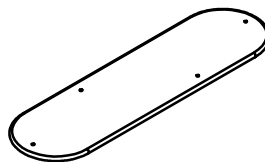
Avoid direct exposure to sunlight. Do not place over heat or air conditioning vents. Adjust levelers so that the furniture sits flat on uneven floors. Blot spills with a clean white cloth, do not rub. Do not use harsh chemicals. Before cleaning any part test a small spot in a hidden area. You may need to re-tighten all bolts after initial use.



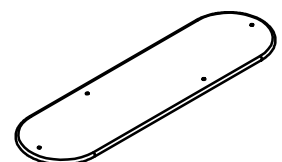
PARTS INCLUDED:



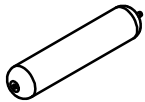
1) Top Panel
(46 x 13 x 0.7") x 1
or
(116.8 x 33 x 1.8cm)



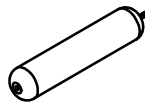
2) Shelves
(46 x 13 x 0.7") x 1
or
(116.8 x 33 x 1.8cm)



3) Bottom Panel
(46 x 13 x 0.7") x 1
or
(116.8 x 33 x 1.8cm)



4) Leg
(14.6 x 3 x 3") x 4
or
(37.2 x 7.5 x 7.5 cm)



5) Leg
(15.9 x 3 x 3") x 4
or
(40.5 x 7.5 x 7.5 cm)



6) Feet
(3.9 x 3 x 3") x 4
or
(9.8 x 7.5 x 7.5 cm)



A) Bolt
(D 0.47 / 0.24 x 0.59") x 1
or
(D 12 / 6 x 15 mm)



B) Allen Key
(D 0.16 x 2.32") x 1
or
(D 4 x 59 mm)

Casper Console Table

URBAN OUTFITTERS

Assembly Instructions

PARTS INCLUDED:



C) L Shaped Metal Bracket
(2.76 x 0.79 x 0.08") x 1
or
(70 x 20 x 2 mm)



D) Spring Washer
(D 0.47 / 0.24 x 0.08") x 1
or
(D 12 / 6 x 2 mm)



E) Flat Washer
(D 0.63 / 0.24 x 0.08") x 1
or
(D 16 / 6 x 2 mm)



F) Plastic Anchor
(D 0.35 x 1.38") x 1
or
(D 9 x 35 mm)



G) Screw
(D 0.16 x 1.18") x 1
or
(D 4 x 30mm)

Casper Console Table

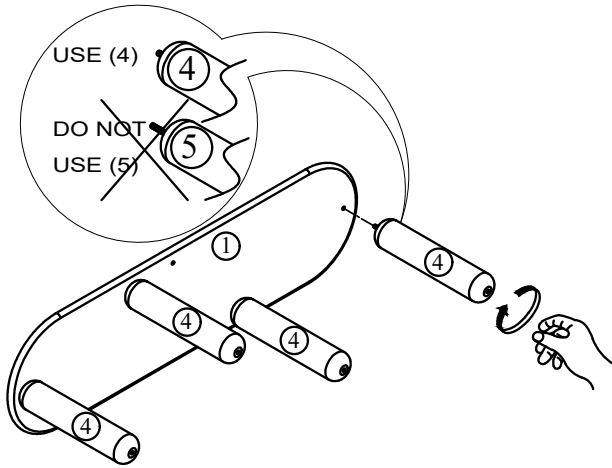
URBAN OUTFITTERS

Assembly Instructions

STEP 1

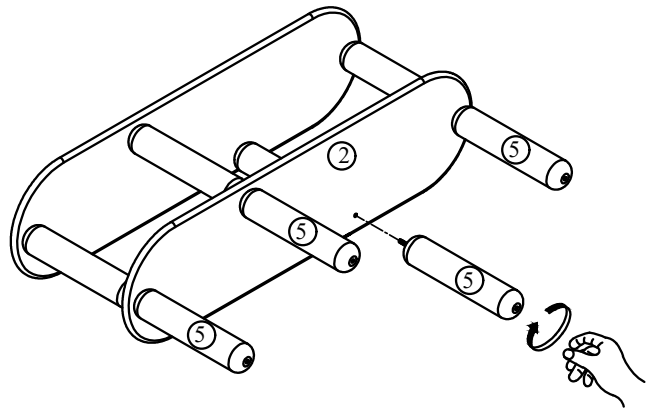
Attach the top panel (1) to legs (4) as shown.

Do not over-tighten!



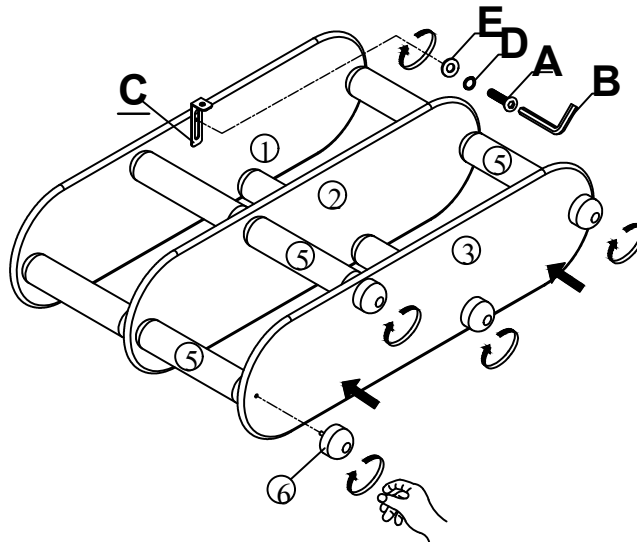
STEP 2

Attach one shelf (2) to legs (4) with the legs (5).



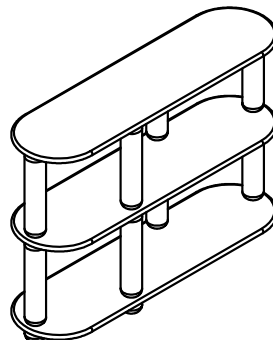
STEP 3

Attach the bottom (3) to the legs (5) with the feet (6). Attach the L shaped metal bracket (C) to the top panel (1) with bolt (A), spring washer (D), flat washer (E) using Allen key (B) as shown.



STEP 4

With help, flip the furniture upright.



Casper Console Table

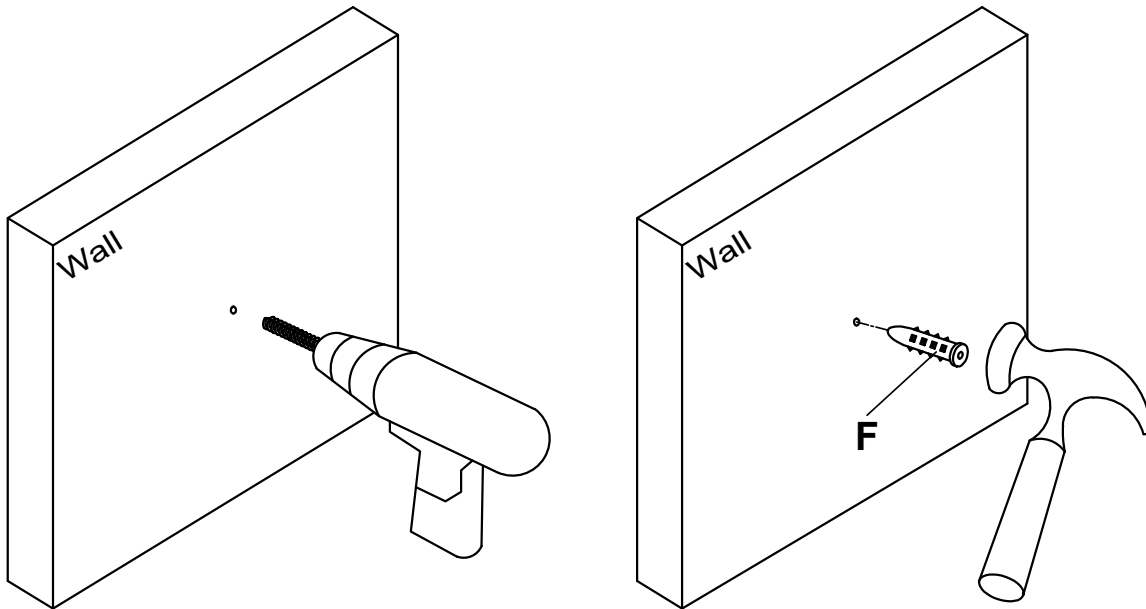
URBAN OUTFITTERS

Assembly Instructions

STEP 5

Place the furniture on the wall in its desired location. Ensure the furniture is level and mark the location of the mounting hole in the L shaped metal bracket (C) on the wall. Pre-drill a hole for the plastic anchor (F) at the marked hole location using a drill and use a hammer to tap it into the wall.

The included hardware is intended for attachment to drywall or wooden wall surfaces, contact your local hardware store to find the correct anchor for alternative wall-types such as stone or brick.



STEP 6

Place the furniture back over the plastic anchor (F) and insert screw (G) with flat washer (E) as shown. Tighten with a screwdriver to complete the installation.

