

EZRA BOOKSHELF

Assembly Instructions

URBAN OUTFITTERS

TOOLS REQUIRED BUT NOT INCLUDED:

Phillips head screwdriver, pencil

WARNINGS:

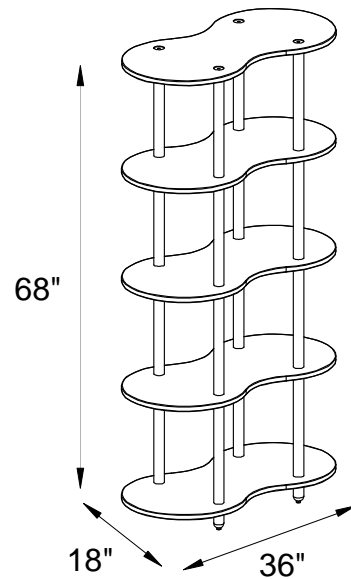
Do not throw away packing materials and carton until after assembly. Assemble all parts on a clean smooth surface

CARE INSTRUCTIONS:

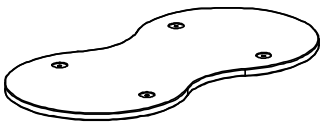
Avoid direct exposure to sunlight. Do not place over heat or Air conditioning vents. Adjust levelers so that the furniture sits flat on uneven floors.

Blot spills do not rub, with a clean white cloth. Do not use harsh chemicals.

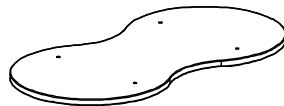
Before cleaning any part test a small spot in a hidden area. You may need to re-tighten all bolts after initial use.



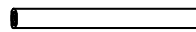
PARTS INCLUDED



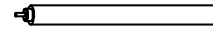
(A) Top shelf
x1



(B) Shelf
x4



(C) Leg #1
x4



(D) Leg #2
x12

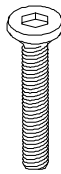


(E) Leg #3
x4

HARDWARE LIST



(F) Hex key
x1



(G) Bolt
[1/4" x 1-1/4"] x4



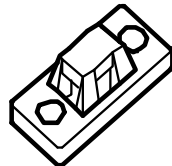
(H) Spring washer
[1/4"] x4



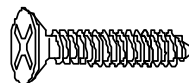
(I) Flat washer
[1/4"] x4



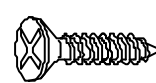
(J) Nylon strip
x1



(K) Bracket
x2



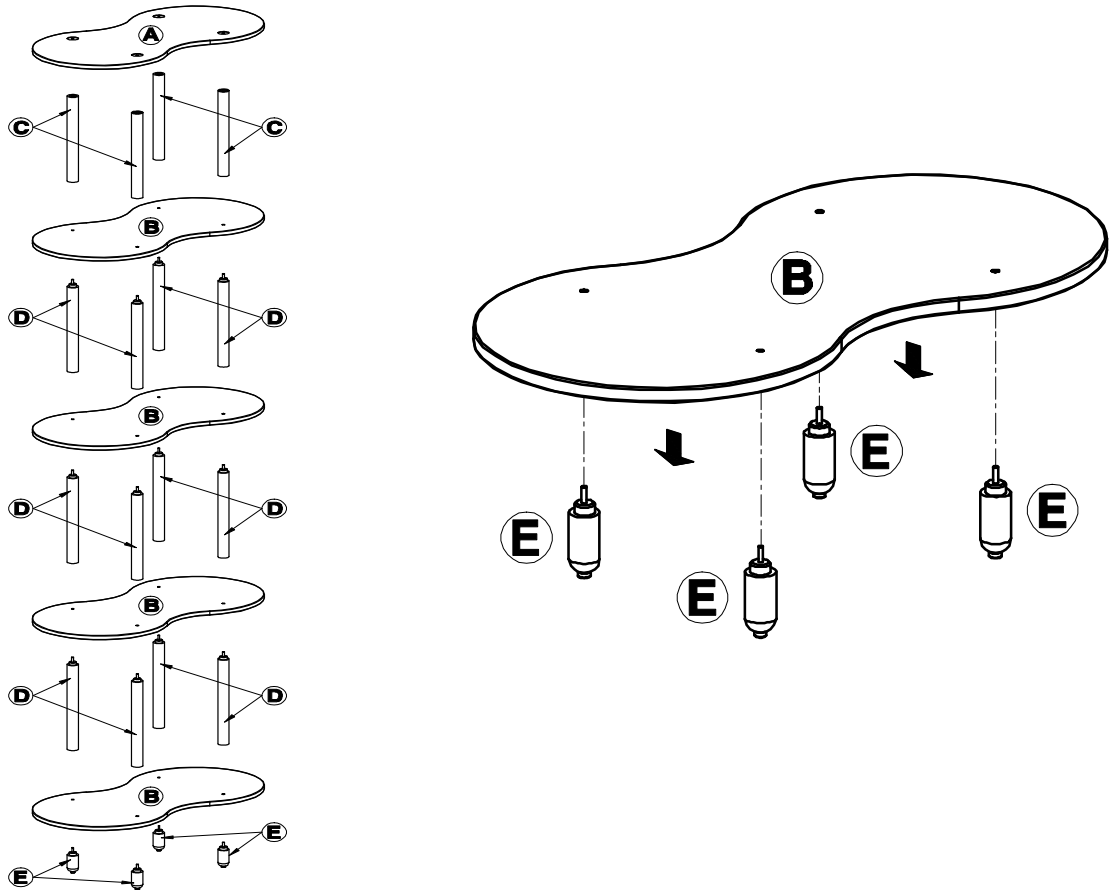
(L) Screw
[M3 x 32mm] x2



(M) Screw
[M3 x 19mm] x2

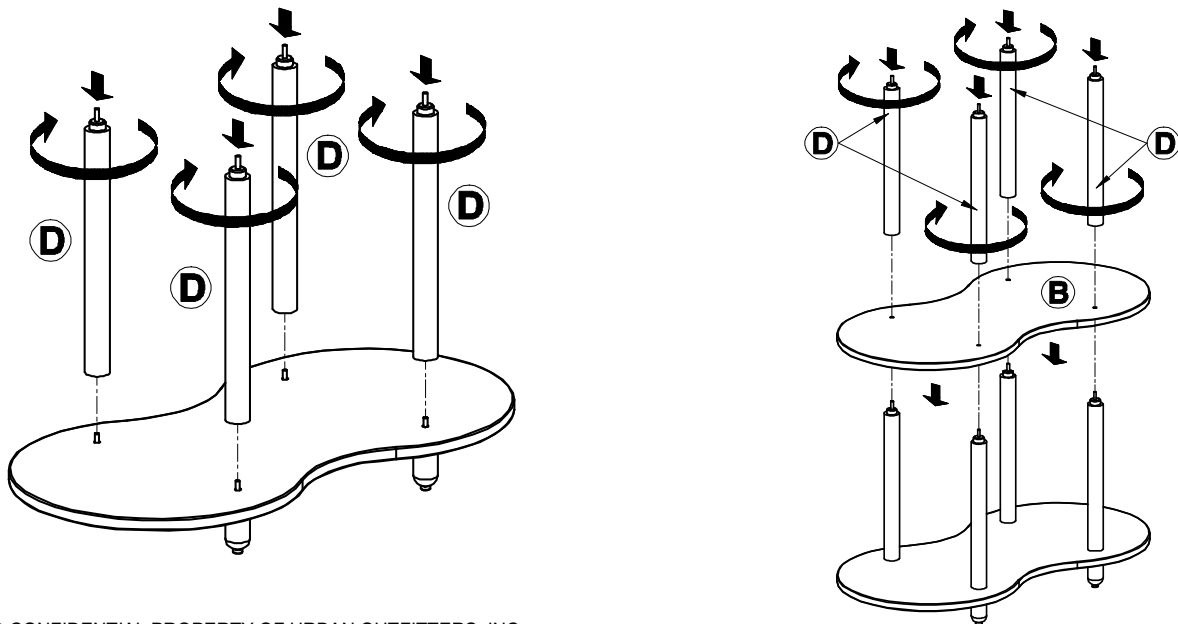
STEP 1

Lay the Parts out onto a clean smooth surface such as carpet or cardboard. Align the Legs #3 (E) with the Shelf (B) and insert as shown.



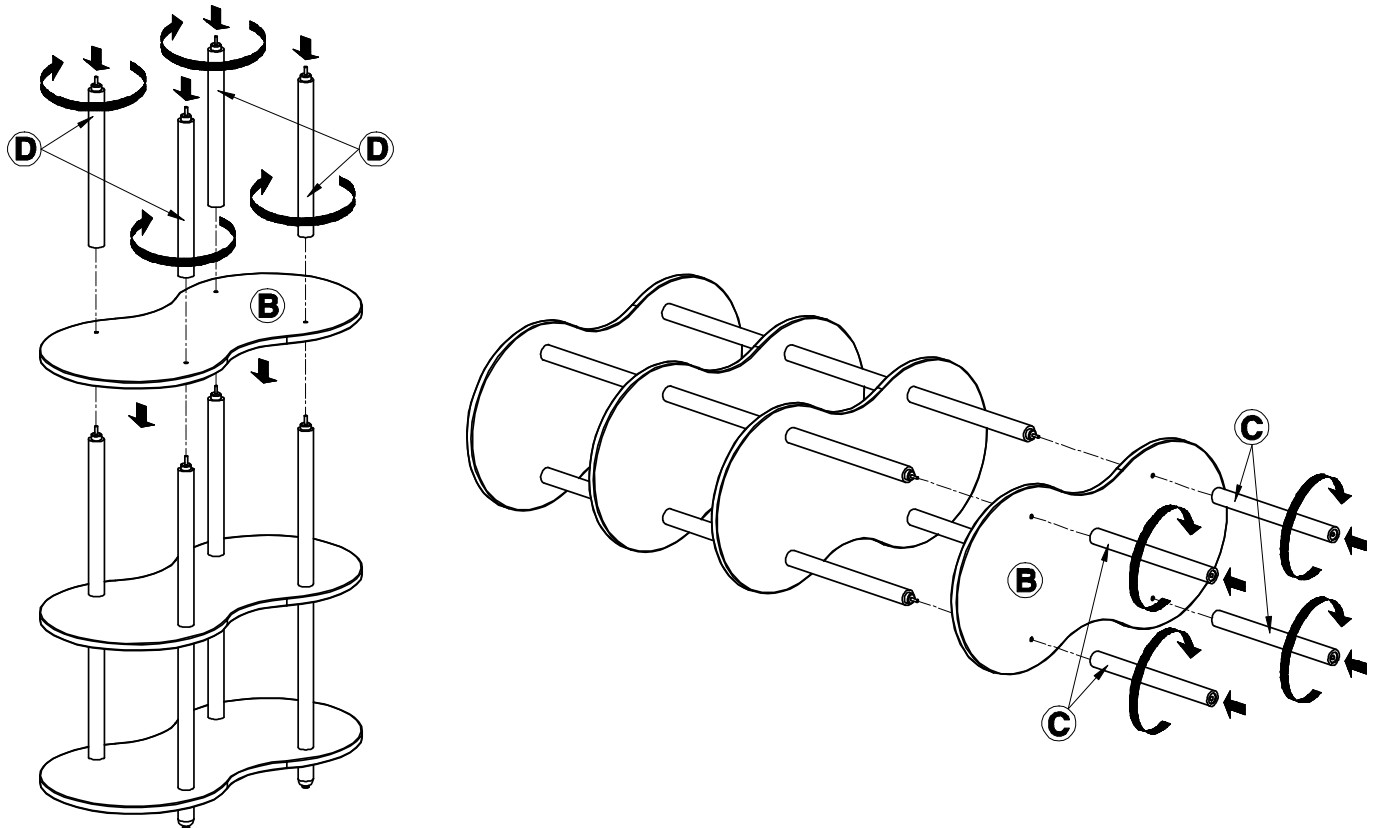
STEP 2

Align the Legs #2 (D) with the threaded studs at the end of Legs #2 (D) sticking through Shelf (B). Screw in clockwise to tighten.



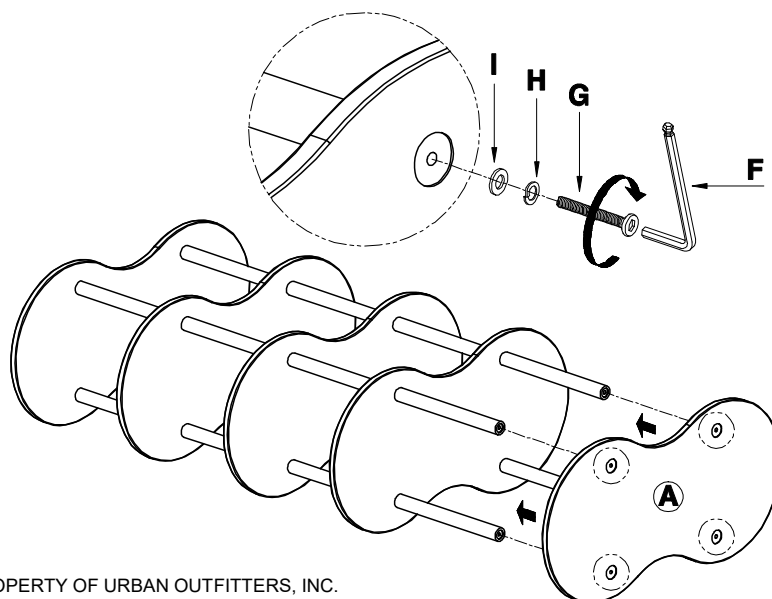
STEP 3

Place an additional Shelf (B) onto the Legs #2 (D) as shown. Align additional Legs #2 (D) with the threaded studs at the end of the Legs #2 (D) sticking through the Shelf (B). Screw in clockwise to tighten. Repeat this step to attach the rest of the Legs #3 (C) to Shelves (B).



STEP 4

Align the Top Shelf (A) with the last row of the Legs #2 (C). Insert Bolts (G), Lock-washers (H) and Washer (I) as shown and tighten with the supplied Hex Key (F).



STEP 5

- Align the Anti Tip Brackets (K) to the Top back of the Case. Insert Screws (L) and tighten completely. Do not overtighten.
- Contact your local hardware store to purchase the correct anchors for your wall-type.
- Align the brackets to the wall and make sure they line up with the brackets on the back of the case from step (a).
- Screw the brackets to the wall using the correct anchors.
- Slide the case to the wall. Leaving a little bit of room between the case and the wall.
- Feed the Nylon Strap through both brackets and pull tight.

