

Kane Desk Hutch

URBAN OUTFITTERS

Assembly Instructions

TOOLS REQUIRED BUT NOT INCLUDED:

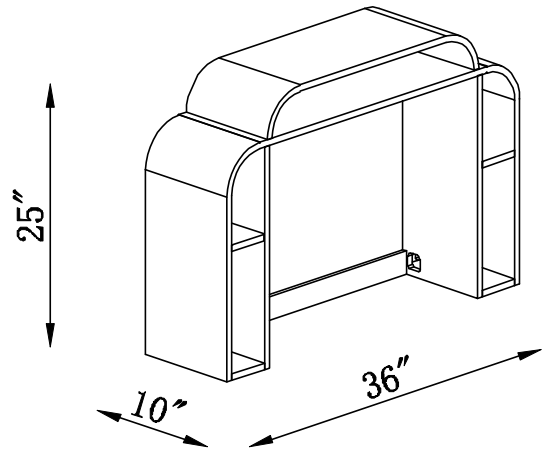
Phillips head screwdriver, Pencil

WARNINGS:

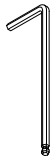
Do not throw away packing materials and carton until after assembly.
Ensure all parts are present prior to assembly.
Contact customer service immediately if parts are missing.
Assemble all parts on a clean smooth surface.
Anti-Tip Hardware must be in place to ensure safety from tipping.

CARE INSTRUCTIONS:

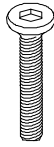
Avoid direct exposure to sunlight.
Do not place over heat or air conditioning vents.
Adjust levelers so that the furniture sits flat on uneven floors.
Blot spills with a clean white cloth, do not rub.
Do not use harsh chemicals.
Before cleaning any part test a small spot in a hidden area.
You may need to re-tighten all bolts after initial use.



PARTS INCLUDED:



(A) Hex key
x1



(B) Bolt
[1/4" x 1/2"] x8



(C) Spring washer
[1/4"] x8



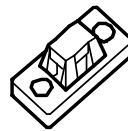
(D) Flat washer
[1/4"] x8



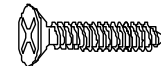
(E) Connection bracket
x2



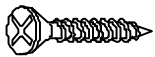
(F) Nylon strip
x1



(G) Bracket
x2



(H) Bracket
[M3 x 32mm] x2



(I) Screw
[M3 x 19mm] x2

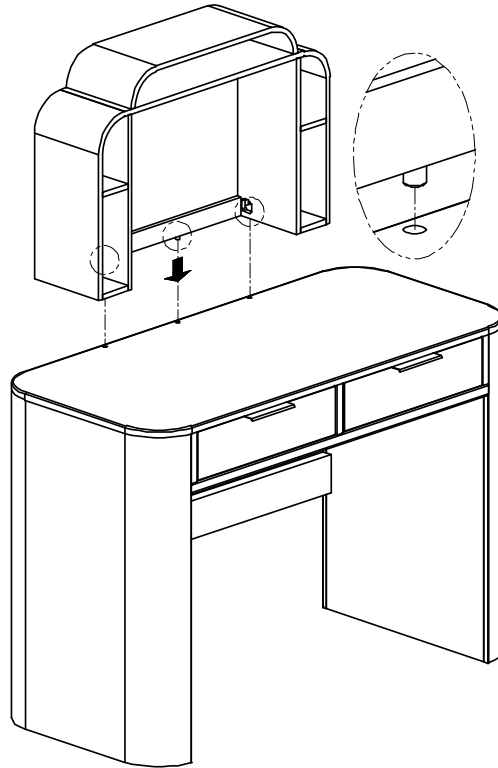
Kane Desk Hutch

Assembly Instructions

URBAN OUTFITTERS

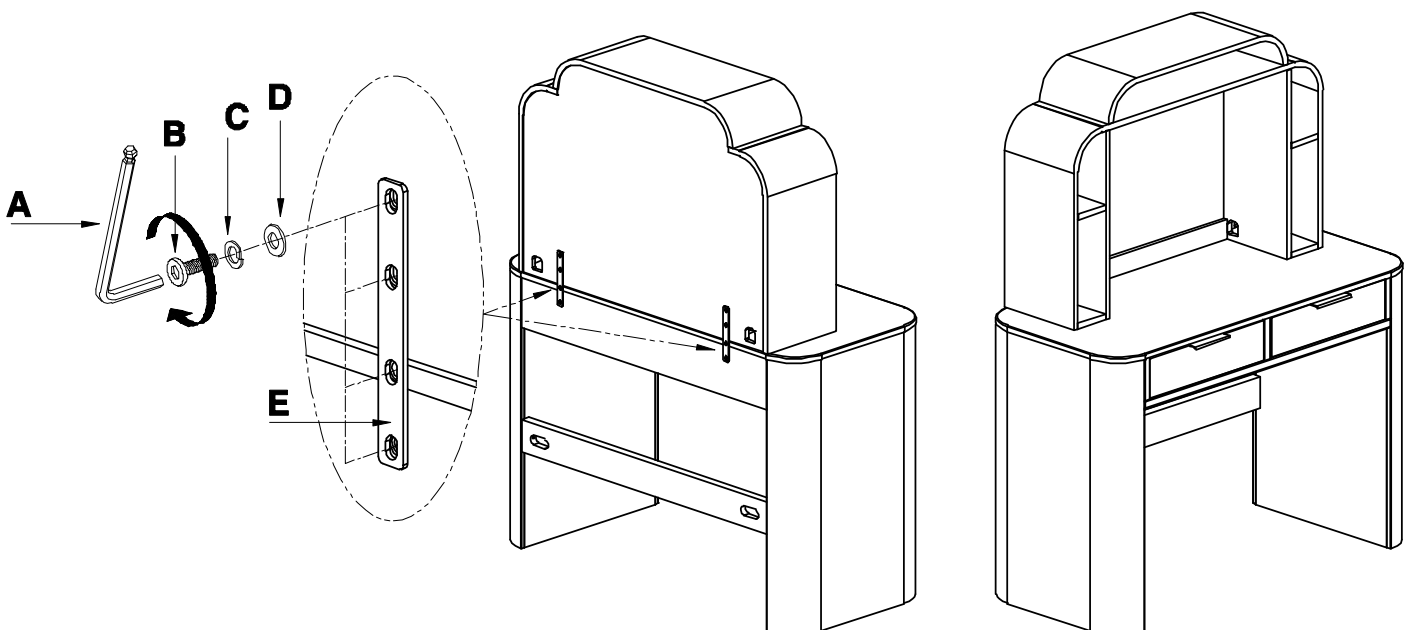
STEP 1

With help, lay the parts out onto a clean smooth surface such as carpet or cardboard. Locate the holes in the base. Align the desk hutch to the base and press firmly into place as shown.



STEP 2

Align the connection brackets (E) to the desk hutch and base shown. Insert flat washer (D), spring washer (C) and bolt (B). Tighten with supplied hex key (A). Do not over-tighten.



STEP 3

A) Align the bracket (G) to the top back of the desk hutch as shown. Insert screws (I) and tighten with a phillips head screwdriver (not included). Place the second bracket (G) against the wall directly behind the desk hutch and mark the location.

B) Wood or Stud installation:
Insert the screw (H) through the second bracket (G). Then, use a phillips head screwdriver to fasten the screws (H) directly into the wall at the marked location.

Drywall installation:

Contact your local hardware store to source the correct anchor for your wall, use any screws included with wall anchor kits to attach anti-tip kit brackets to the wall. Insert the wall anchors into the wall at the marked locations. Insert the screws (H) through the second bracket (G) and into the anchors, then tighten with a Phillips head screwdriver (not included).

C) Place the desk hutch against the wall aligning the brackets (G), then run the Strap (F) through both brackets (G) and pull it tight to secure the desk hutch.

