

MARINA BAR CART

URBAN OUTFITTERS

Assembly Instructions

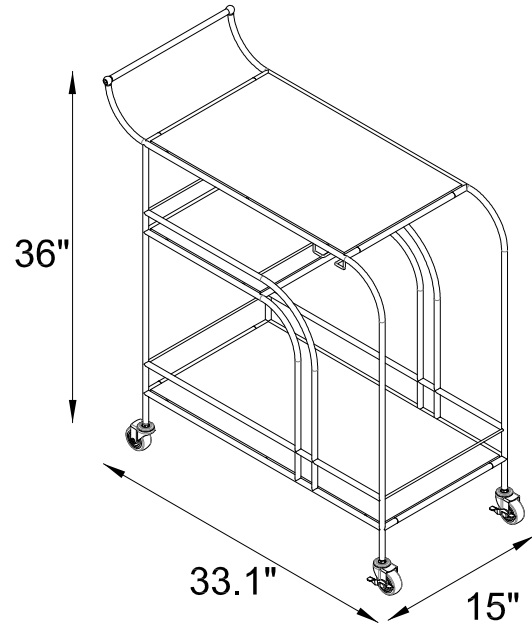
TOOLS REQUIRED BUT NOT INCLUDED: NONE

WARNINGS:

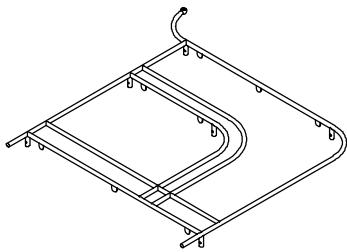
At least two people recommended for assembly
Do not throw away packing materials and carton until after assembly.
Ensure all parts are present prior to assembly.
Contact customer service immediately if parts are missing.
Assemble all parts on a clean smooth surface

CARE INSTRUCTIONS:

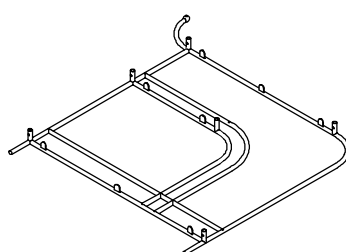
Avoid direct exposure to sunlight.
Do not place overhead or air conditioning vents.
Adjust levelers so that the furniture sits flat on uneven floors.
Blot spills with a clean white cloth, do not rub.
Do not use harsh chemicals.
Before cleaning any part test a small spot in a hidden area.
You may need to re-tighten all bolts after initial use.



PARTS INCLUDED



A-L) Metal Front Frame



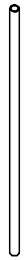
A-R) Metal Back Frame



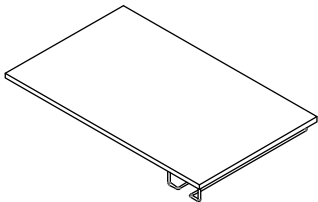
B) Cross Rail x6



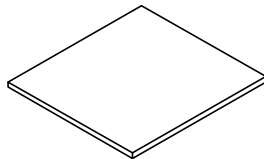
C) Cross Rail x4



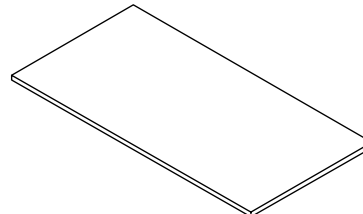
D) Cross Rail



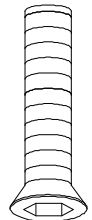
E) Top Shelf



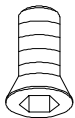
F) Middle Shelf



G) Bottom shelf



H) Bolt [M6x25mm] x2



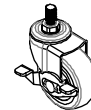
I) Bolt [M5x10mm] x12



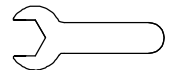
J) Washer x4



K) Caster x2



L) Locking Caster x2



M) Open Wrench



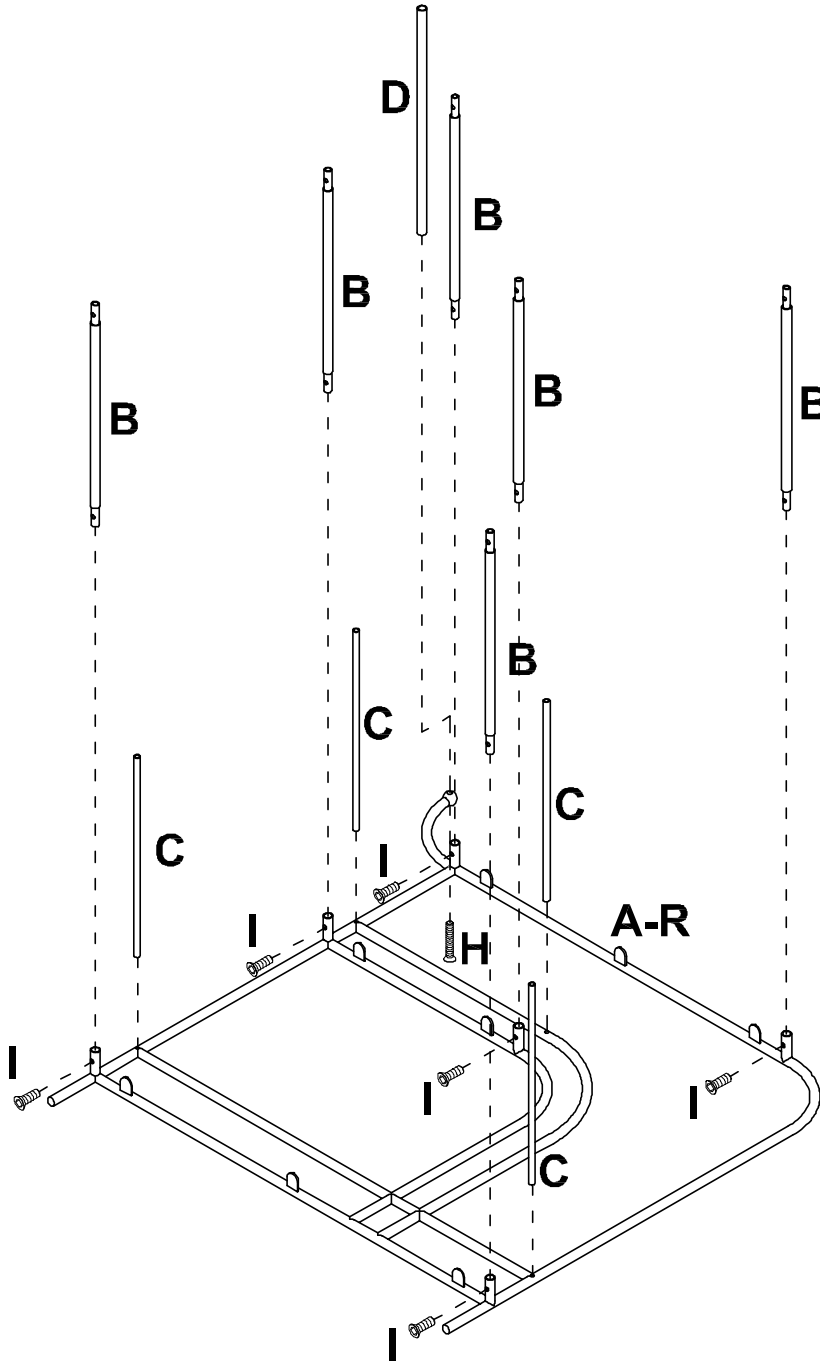
N) Allen Key [3mm]



O) Allen Key [4mm]

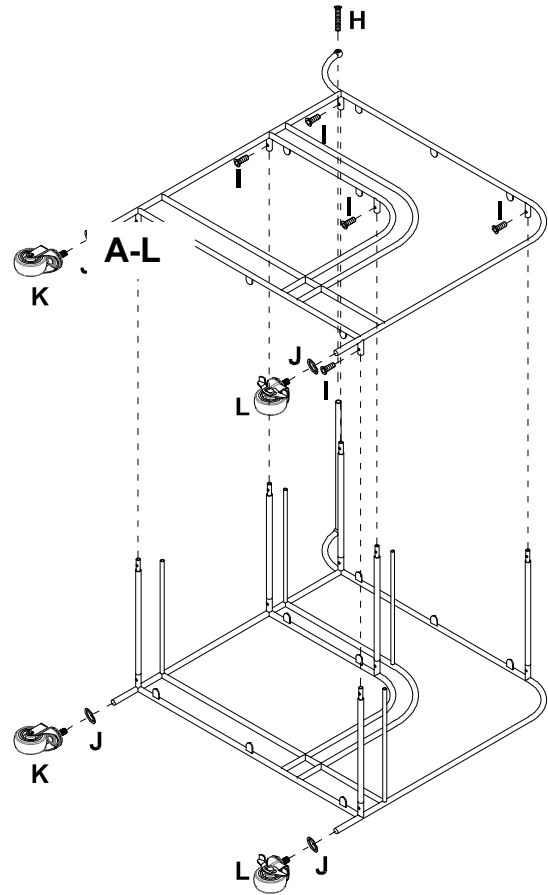
STEP 1

Lay down all the parts on a clean carpet or cardboard for assembly. Remove plastic protective caps from metal frames (A-L & A-R). Align metal back frame (A-R) with cross rails (B) (C) (D). Insert bolt (H), and partially tighten with Allen Key (O). Insert bolt (I), and partially tighten with Allen Key (N). Once all bolts are inserted and partially tightened, fully tighten the bolts.



STEP 2

Align metal front frame (A-L) with cross rails (B) (C) (D). Insert bolt (H), and partially tighten with Allen Key (O). Insert bolt (I), and partially tighten with Allen Key (N). Once all bolts are inserted and partially tightened, fully tighten the bolts. Screw Casters (K) (L) with washer (J) onto the bottom of the assembled frame as shown. Carefully flip the bar cart upright.



STEP 3

Carefully place the shelves (C)(D)(E)(F) onto the partially assembled bar cart, as shown, to complete assembly.

