

# RORY ENTRYWAY STORAGE

URBAN OUTFITTERS

## Assembly Instructions

### TOOLS REQUIRED BUT NOT INCLUDED

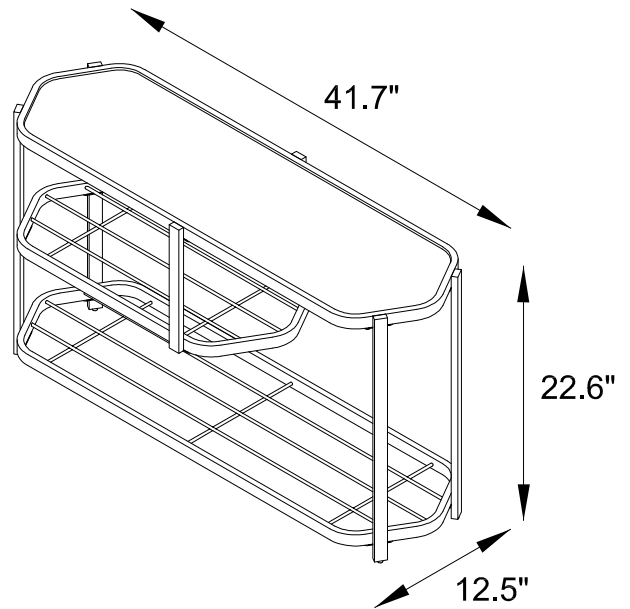
Drill, Phillips head screwdriver, Hammer, Pencil

### WARNINGS:

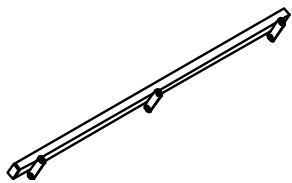
At least two people recommended for assembly  
Do not throw away packing materials and carton until after assembly.  
Ensure all parts are present prior to assembly.  
Contact customer service immediately if parts are missing.  
Assemble all parts on a clean smooth surface.  
**Attach Dresser to the wall to prevent tipping - that can cause damage and/or bodily injury.**

### CARE INSTRUCTIONS:

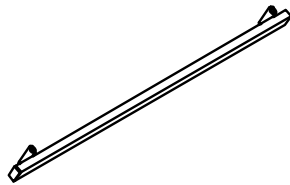
Avoid direct exposure to sunlight.  
Blot spills with a clean, white cloth; do not rub.  
Do not use harsh chemicals.  
Before cleaning any part, test a small spot in a hidden area.  
Do not place over heat or air conditioning vents.  
Do not over-tighten the parts.  
The parts may loosen after initial use; re-tighten as necessary.



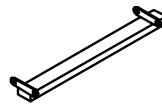
## PARTS INCLUDED



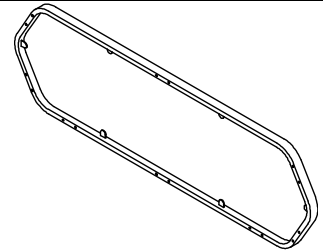
A) Side Rail x2



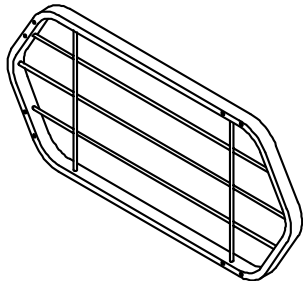
B) Side Rail x2



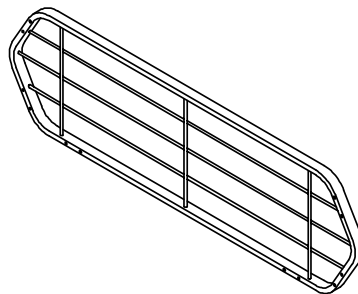
C) Short Side Rail x2



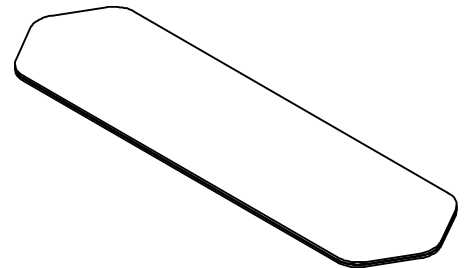
D) Top Frame



E) Middle Rod shelf



F) Bottom Rod Shelf



G) Mirror Glass



H) Adjustable Leveler x 4



I) Bolt [M6x10mm] x28

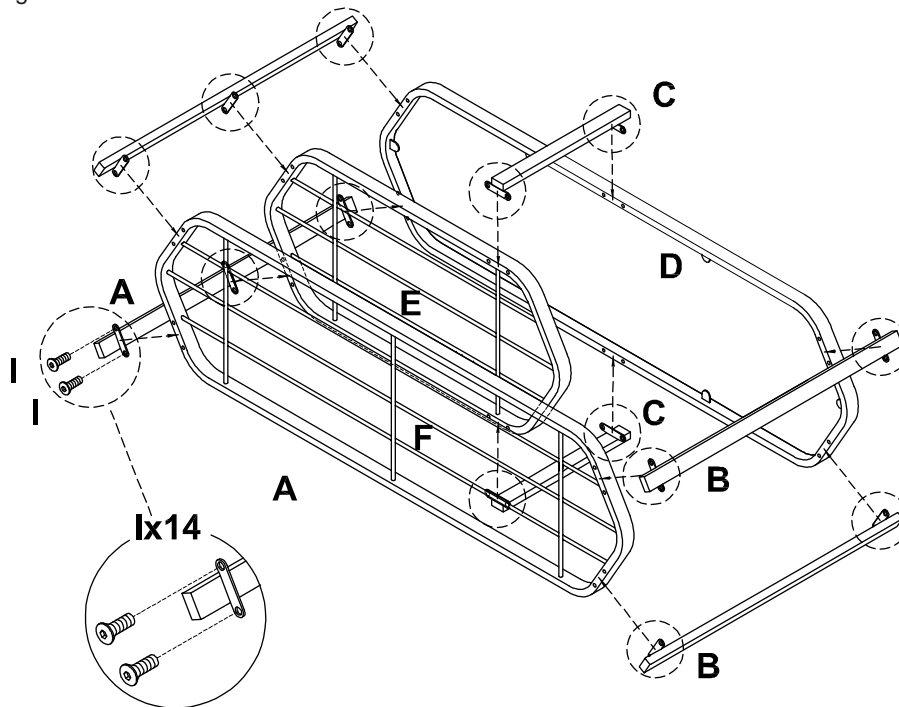


J) Allen Key

## Assembly Instructions

### STEP 1

Lay down all the parts onto a clean carpet or cardboard for assembly. One at a time, align the side rails (A), (B) and (C) with top frame (D), Middle rod shelf (E) (F) as shown. Insert bolt (I) and partially tighten with Allen key (J). Once all bolts are inserted and partially tightened, fully tighten the bolts.



### STEP 2

Screw adjustable levelers (H) into the bottom of the side rails (A), (B) and (C). With help, flip the entryway storage upright. With help, gently place the mirror glass (G) on assembled entryway storage.

