

SPINDLE SIDE TABLE

URBAN OUTFITTERS

Assembly Instructions

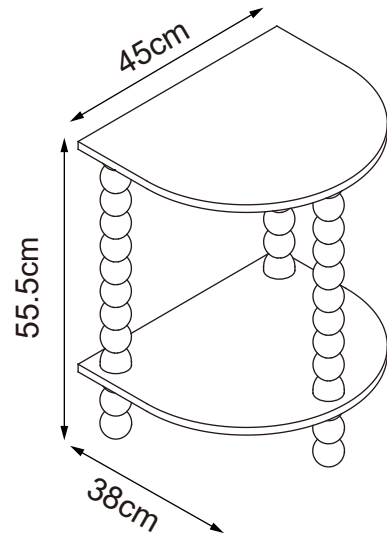
NO ADDITIONAL TOOLS REQUIRED

WARNINGS:

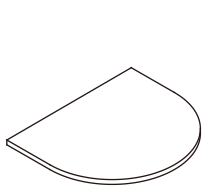
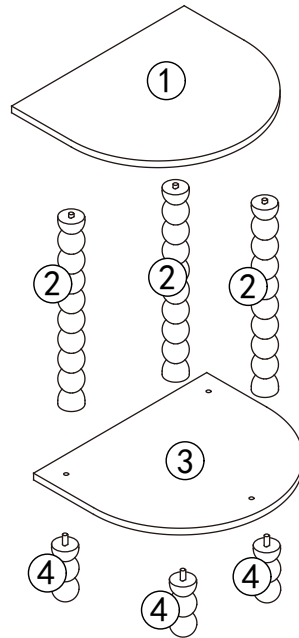
Do not throw away packing materials and carton until after assembly.
Ensure all parts are present prior to assembly.
Contact customer service immediately if parts are missing.
Assemble all parts on a clean smooth surface.

CARE INSTRUCTIONS:

Avoid direct exposure to sunlight.
Do not place over heat or air conditioning vents.
Adjust levelers so that the furniture sits flat on uneven floors.
Blot spills with a clean white cloth, do not rub.
Do not use harsh chemicals.
Before cleaning any part test a small spot in a hidden area.
You may need to re-tighten all bolts after initial use.



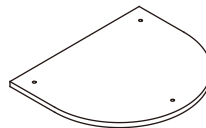
PARTS INCLUDED:



① X1



② X3



③ X1



④ X3



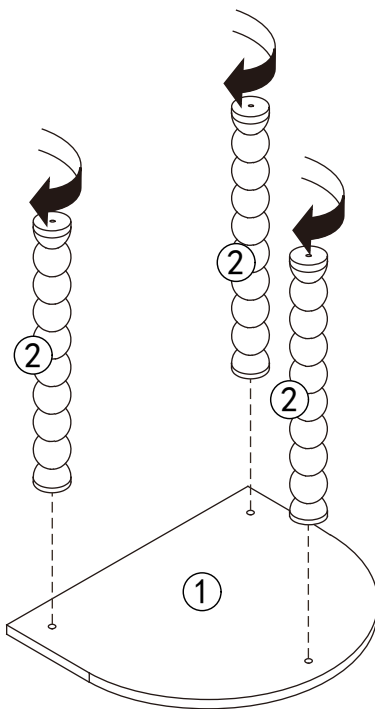
(a) Protection Pad
x3pcs

SPINDLE SIDE TABLE

URBAN OUTFITTERS

Assembly Instructions

STEP 1



STEP 2

