

# Benji Modular Sofa

URBAN OUTFITTERS

## Assembly Instructions

---

### TOOLS REQUIRED BUT NOT INCLUDED:

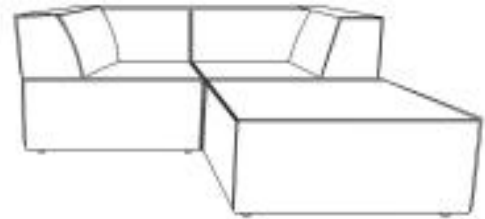
NA

### WARNINGS:

Do not throw away packing materials and carton until after assembly.  
Assemble all parts on a clean smooth surface.

### CARE INSTRUCTIONS:

Avoid direct exposure to sunlight.  
Do not place overheat or air conditioning vents.  
Adjust levelers so that the furniture sits flat on uneven floors.  
Blot spills do not rub, with a clean white cloth.  
Do not use harsh chemicals.  
Before cleaning any part test a small spot in a hidden area.  
You may need to re-tighten all bolts after initial use.



### PARTS INCLUDED

---



A) Leg x 4



B) Bolt  
[M5 x 60mm] x4



C) Flat Washer  
[M8] x4



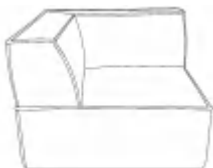
D) Hex Key  
[M5 x 100mm] x1



E) Felt Pad x4



F) Spring Washer x4



G) LSF Corner x1



H) RSF Corner x1



I) Ottoman x 1

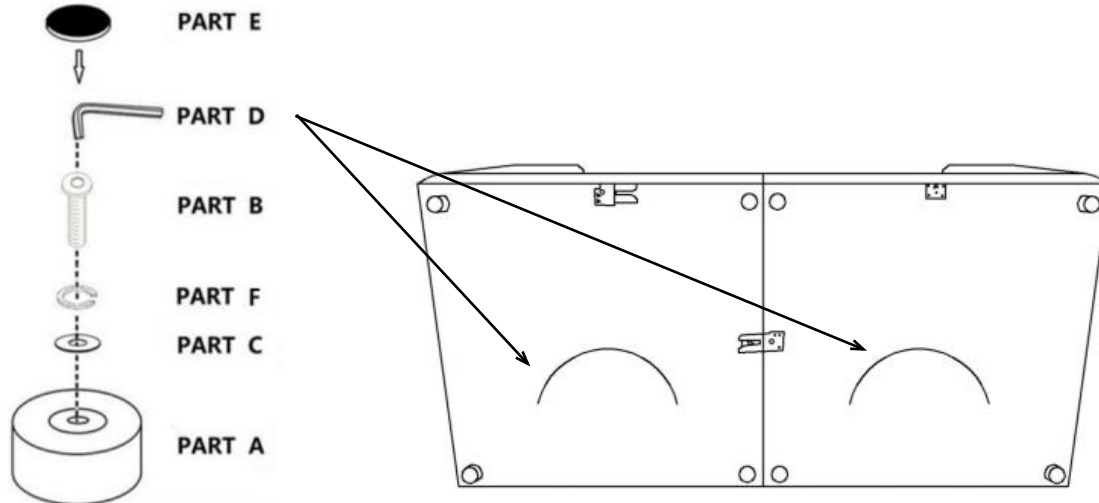
# Benji Modular Sofa

URBAN OUTFITTERS

## Assembly Instructions

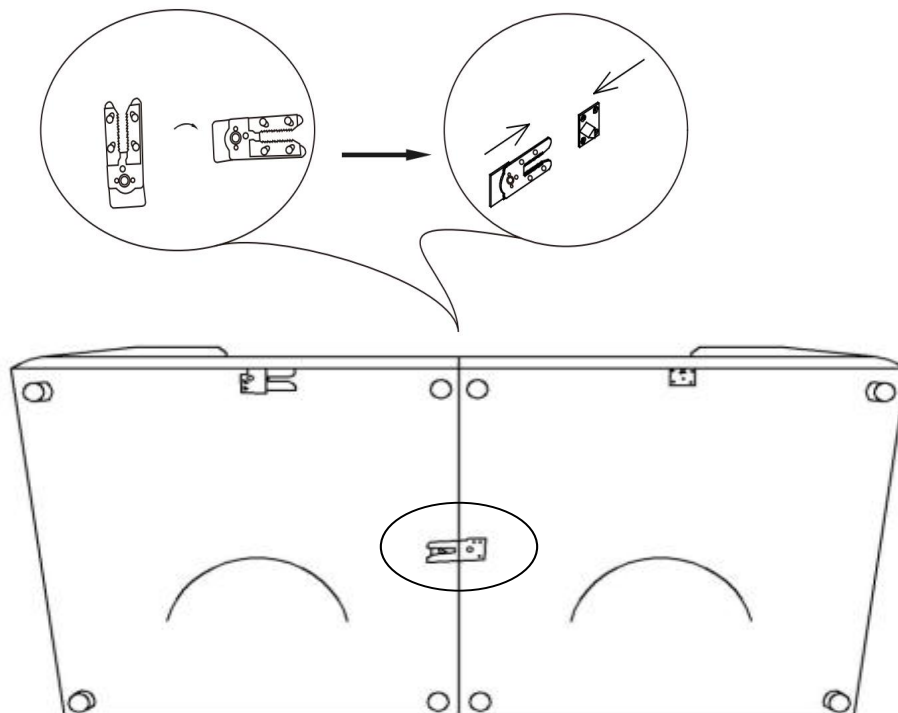
### STEP 1

With help, flip the sofa onto its back and remove the hardware and legs from the bag in the bottom of each unit. Insert the Bolt (B) through the Spring washer (F) and Flat washer (C) into the wooden leg (A). Tighten with Hex key (D) and then place a felt pad (E) on the bottom of the wooden leg (A).



### STEP 2

Rotate the clips attached to the bottom of the sectional pieces as shown. Align the clips with the studs attached to adjacent pieces and push the sectional pieces together to connect.



# Benji Modular Sofa

URBAN OUTFITTERS

## Assembly Instructions

### STEP 3

Repeat step 2 to connect the ottoman unit to the corner unit.

