

GINA PENDANT CHAMPAGNE

URBAN OUTFITTERS

Assembly Instructions

WARNINGS:

Do not discard packing materials and the carton until assembly is complete.
Ensure all parts are present prior to assembly.
Contact customer service immediately if any parts are missing.
Assemble all parts on a clean, smooth surface.

Use E26 9W bulbs, do not exceed recommended wattage.

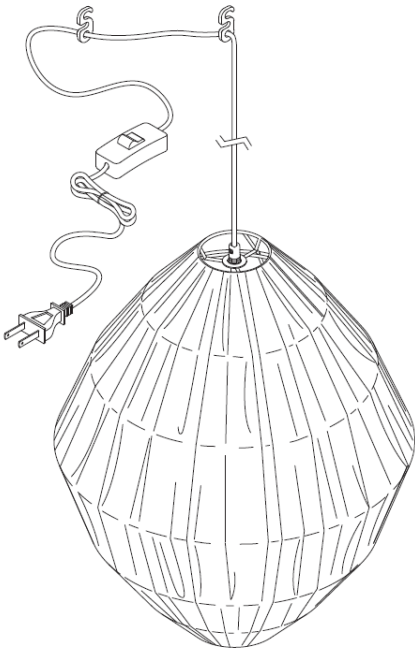
Paper shade is delicate, do not over stretch!

CARE INSTRUCTIONS:

Avoid direct exposure to sunlight.
Blot spills with a clean, white cloth; do not rub.
Do not use harsh chemicals.
Before cleaning any part, test a small spot in a hidden area.
Do not over-tighten the parts.
The parts may loosen after initial use; re-tighten as necessary.

Contact your local hardware store to purchase the correct anchors for your ceiling type.

PARTS INCLUDED:



A) Pendant



B) S Hook



C) Wall Anchor

GINA PENDANT CHAMPAGNE

URBAN OUTFITTERS

Assembly Instructions

STEP 1

Make a hole for your Wall Anchors (C) and press them in flush to the ceiling surface. Screw in the S Hooks (B). Screw an E26 9W LED bulb or equivalent (not included) into the Socket (A). Then, plug in the lamp to complete assembly. Flip the switch to turn on the Light.

