

MONROE LANTERN

Assembly Instructions

URBAN OUTFITTERS

TOOLS REQUIRED BUT NOT INCLUDED: N/A



WARNINGS:

Do not throw away packing materials and carton until after assembly.

Assemble all parts on a clean smooth surface.

Use a **TYPE A 60W MAX BULB DO NOT EXCEED SPECIFIED WATTAGE**

CARE INSTRUCTIONS:

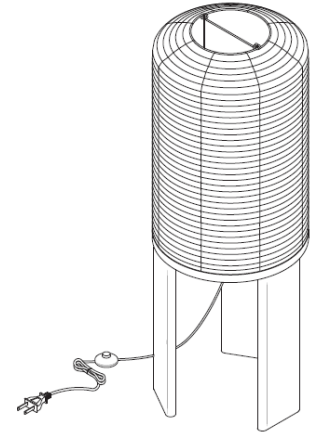
Avoid direct exposure to sunlight. Do not place over heat or air conditioning vents.

Blot spills do not rub, with a clean white cloth.

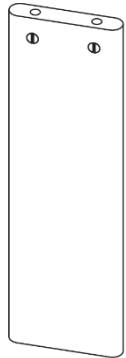
Do not use harsh chemicals.

Before cleaning any part test a small spot in a hidden area.

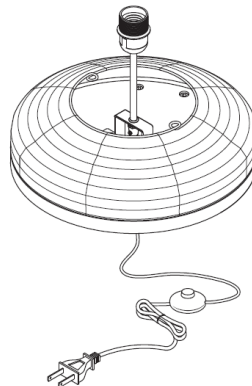
You may need to re-tighten all bolts after initial use.



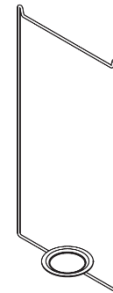
PARTS INCLUDED:



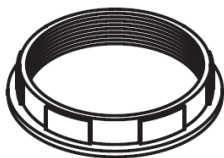
(A) Wooden Legs
x3



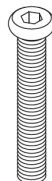
(B) Shade & Socket



(C) Metal expander



(D) Socket Ring



(E) Allen Screws
x6

MONROE LANTERN

Assembly Instructions

URBAN OUTFITTERS

STEP 1

With help, screw three Wooden Legs (A) with Allen Screws (E) & Allen Key into the bottom of the Shade (B). Slide the metal expander (C) into the socket attached on the Shade (B) as below shown, then screw on the Socket Ring (D). Stretch out the shade (B) and Screw a Type A 60W bulb into socket and then plug in the lamp to complete assembly

