

ALANA NARROW SHELF

Assembly Instructions

URBAN OUTFITTERS

TOOLS REQUIRED BUT NOT INCLUDED: N/A

Do not throw away packing materials and carton until after assembly. Assemble all parts on a clean smooth surface

CARE INSTRUCTIONS:

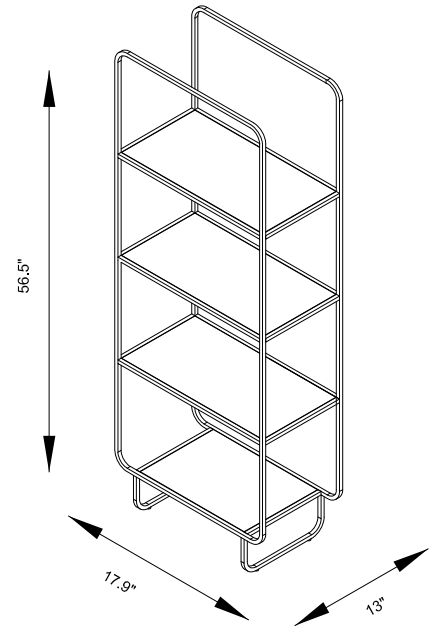
Avoid direct exposure to sunlight. Do not place overheat or air conditioning vents.

Adjust levelers so that the furniture sits flat on uneven floors.

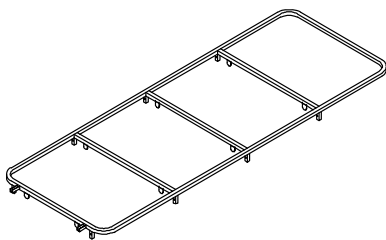
Blot spills do not rub, with a clean white cloth.

Do not use harsh chemicals.

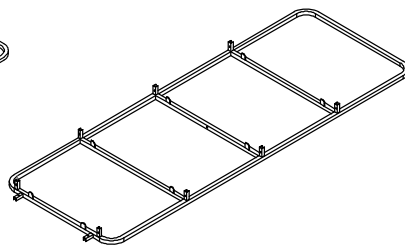
Before cleaning any part test a small spot in a hidden area. You may need to re-tighten all bolts after initial use.



PARTS INCLUDED



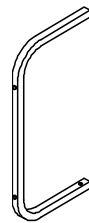
A-L) Metal Front Frame x1



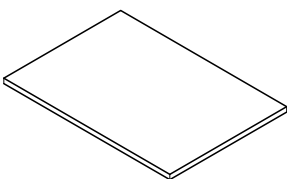
A-R) Metal Back Frame x1



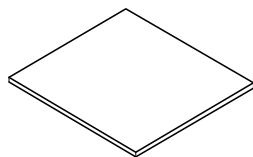
B) Cross Rail x8



C) Metal Leg x2



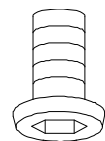
D) Metal Shelf x3



E) Bottom Metal Shelf x1



F) Screw [M5xL10mm] x36



G) Bolt [M6xL10mm] x1



H) Anti-tip bracket x1



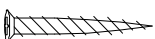
I) Allen Key [4mm] x1



J) Allen Key [3mm] x1



K) Drywall Anchor[13x40] x1



L) Wall Screw[4x32] x1

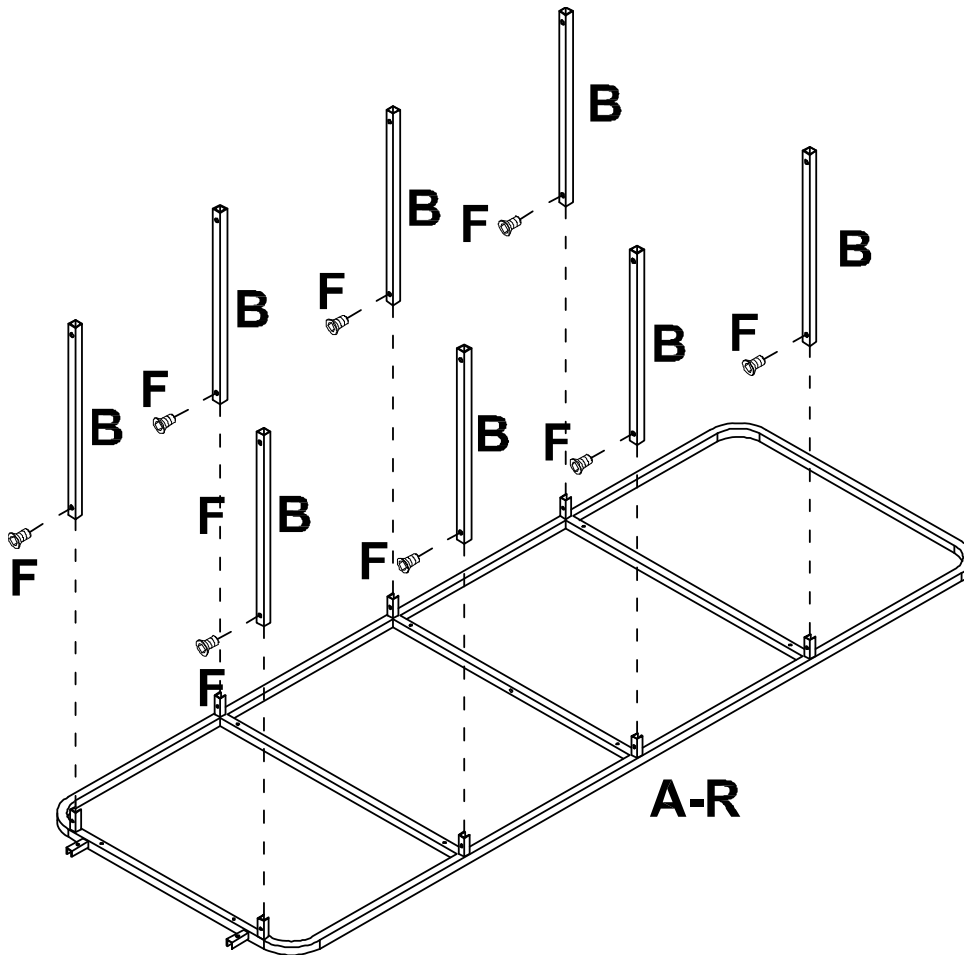
ALANA NARROW SHELF

Assembly Instructions

URBAN OUTFITTERS

STEP 1

Lay down all the parts on the clean carpet or cardboard for assembly. Align Metal Back Frame (A-R) with Cross Rail (B). Insert Screw (F) and partially tighten with Allen key (J). Once all screws are inserted and partially tightened, tighten all screws completely.



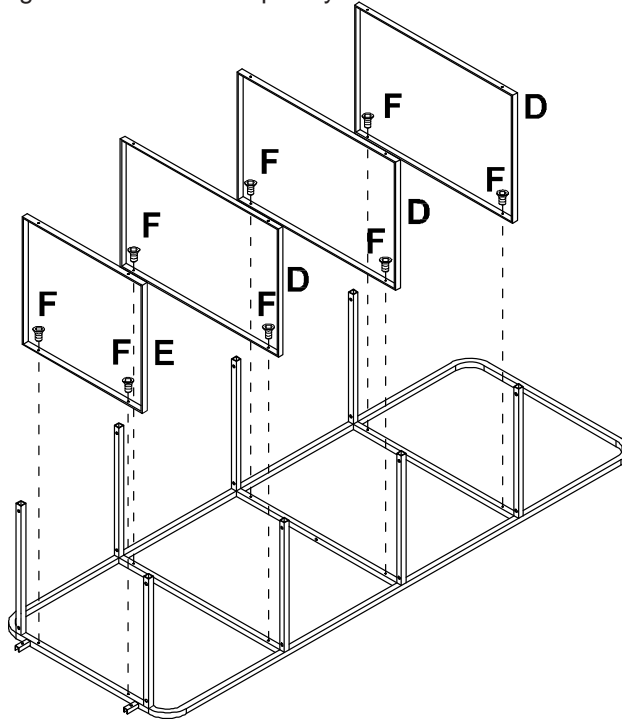
ALANA NARROW SHELF

Assembly Instructions

URBAN OUTFITTERS

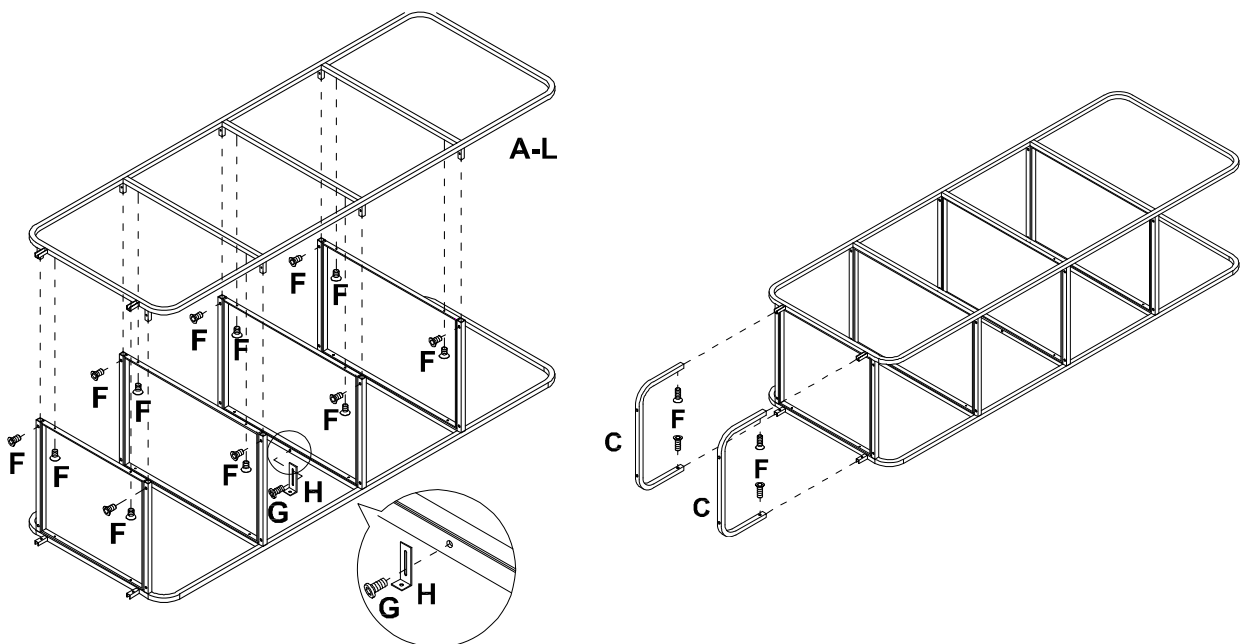
STEP 2

Insert Sheet Metal (D) with frame. Insert bolts (F), and partially tighten with Allen key (J). Once all screws are inserted and partially tightened, tighten all screws completely.



STEP 3

Align the other Front frame (A-L) with assembled shelf. Insert bolt (F), and partially tighten with Allen key (J). Align metal leg (C) with shelf. Insert bolt (F). Once all screws are inserted and partially tightened, tighten all screws completely. Attach the anti-tip bracket (H) with bolt (G) using Allen key (I).



ALANA NARROW SHELF

Assembly Instructions

URBAN OUTFITTERS

STEP 4

Place the shelf against the wall in its desired location and mark the location of the hole in the anti tip bracket (H) on the wall. Screw the drywall anchor (K) into the wall at the marked location. Insert screws (L) through the anti-tip bracket (H) into the drywall anchors (K) and tighten with Phillips head screwdriver (not provided)

