

TULIP SIDE TABLE

URBAN OUTFITTERS

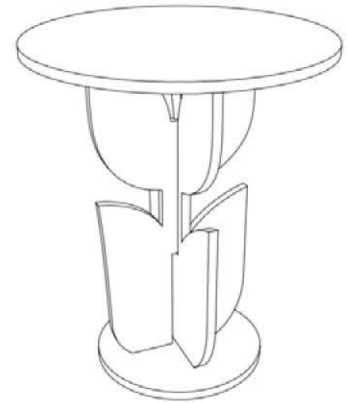
Assembly Instructions

TOOLS REQUIRED BUT NOT INCLUDED: PHILLIPSHEAD SCREWDRIVER

Do not throw away packing materials and carton until after assembly.
Assemble all parts on a clean smooth surface

CARE INSTRUCTIONS:

Avoid direct exposure to sunlight. Do not place over heat or Air conditioning vents.
Adjust levelers so that the furniture sits flat on uneven floors.
Blot spills do not rub, with a clean white cloth.
Do not use harsh chemicals.
Before cleaning any part test a small spot in a hidden area.
You may need to re-tighten all bolts after initial use.



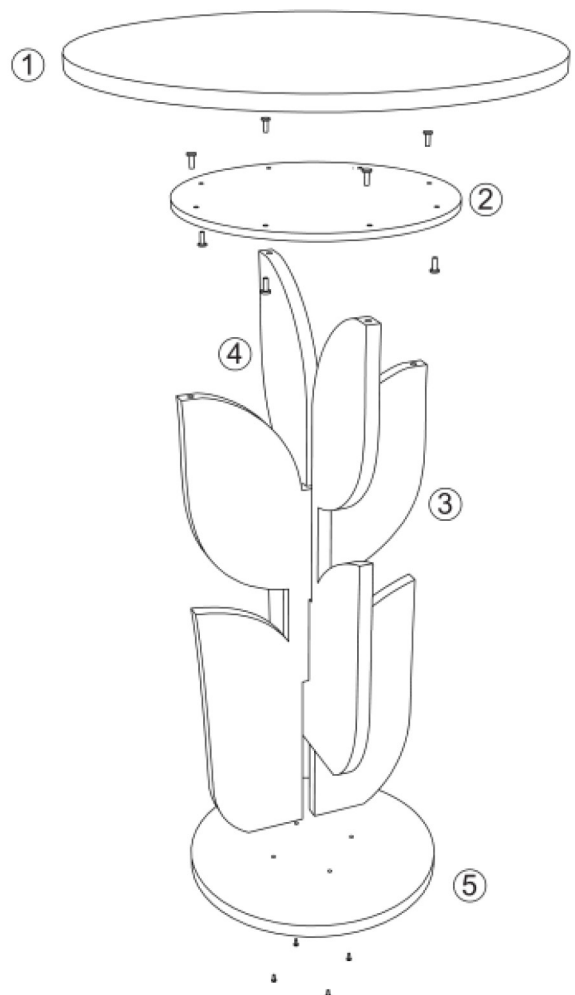
PARTS INCLUDED



(A) Screw M4 x 6mm
4x



(B) Screw M4 x 12mm
8x



TULIP SIDE TABLE

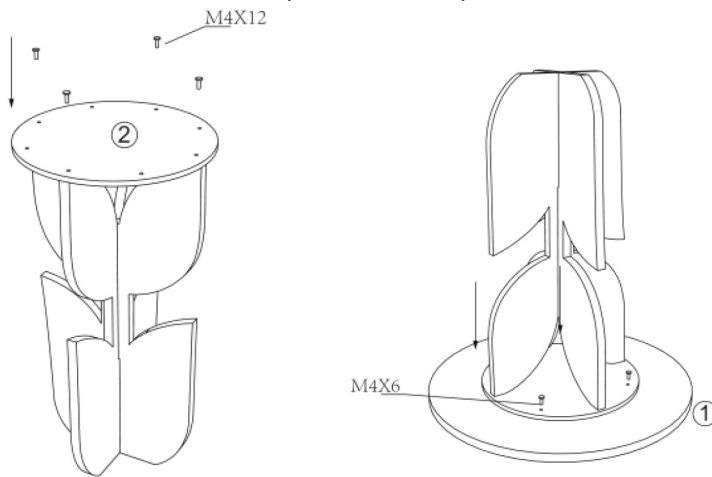
URBAN OUTFITTERS

Assembly Instructions

STEP 1. Align Panels (3) & (4) as shown. Slide them together.



STEP 2. Attach the Mounting Plate (2) with Screw (B). Tighten with screwdriver (not included) Lay the Top Panel (1) over onto a clean smooth surface. Align assembled base as shown. Insert Screws (A). Tighten with screwdriver (not included).



STEP 3. Attach the Base Plate (5) with Screw (B). Tighten with screwdriver (not included). Flip the table upright.

