

Leonie Dresser

URBAN OUTFITTERS

Assembly Instructions

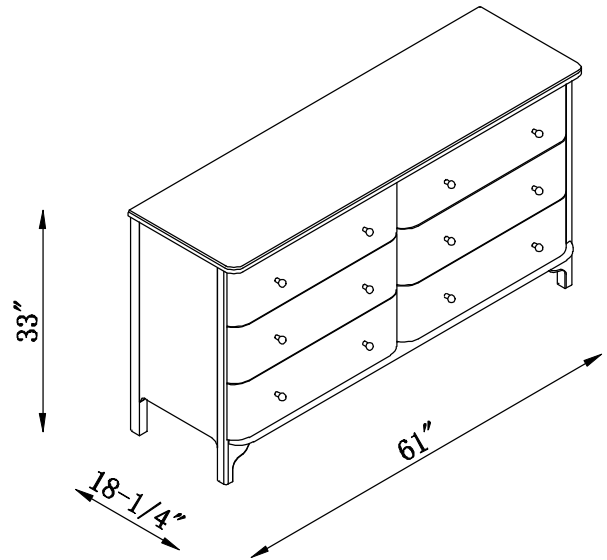
TOOLS REQUIRED BUT NOT INCLUDED:
Phillips head screwdriver / drill, pencil

WARNINGS:

Do not throw away packing materials and carton until after assembly.
Ensure all parts are present prior to assembly.
Contact customer service immediately if parts are missing.
Assemble all parts on a clean smooth surface.
Attach Dresser to the wall to prevent tipping that can cause damage and/or bodily injury

CARE INSTRUCTIONS:

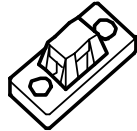
Avoid direct exposure to sunlight.
Do not place over heat or air conditioning vents.
Adjust levelers so that the furniture sits flat on uneven floors.
Blot spills with a clean white cloth, do not rub.
Do not use harsh chemicals.
Before cleaning any part test a small spot in a hidden area.
You may need to re-tighten all bolts after initial use.



PARTS INCLUDED:



(A) Nylon trip
x1



(B) Bracket
x2



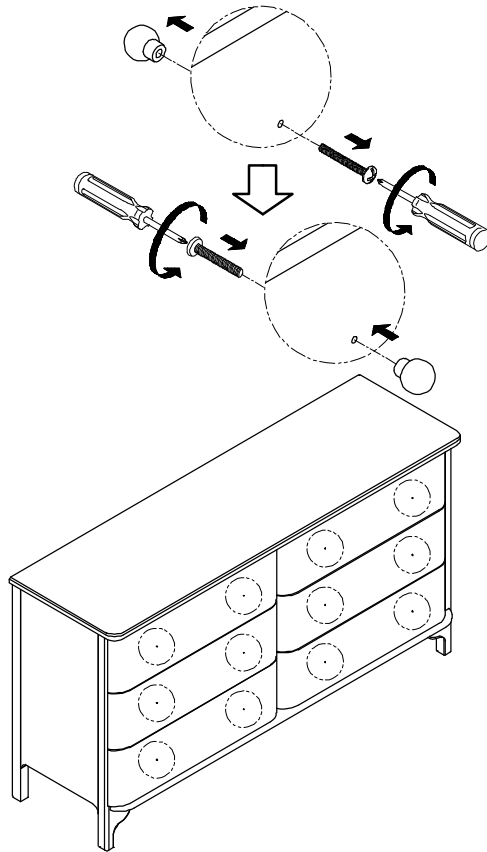
(C) Screw
[M3 x 32mm] x2



(D) Screw
[M3 x 19mm] x2

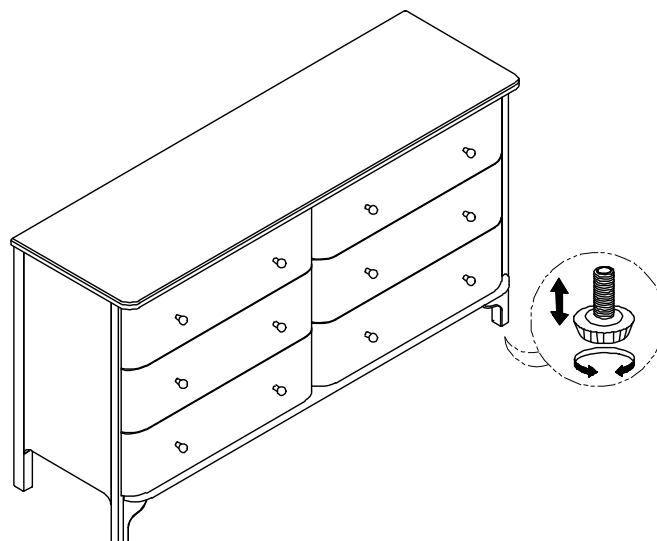
STEP 1

Use a Phillips head screwdriver to unscrew the screws attach to the inside of the drawer pulls. Align the drawer pulls to the holes in the front of the drawers and insert the screws through the back as shown below. Tighten the screws with a Phillips head screwdriver, do not over tighten.



STEP 2

Adjust the levelers as shown below to accommodate uneven floors.



STEP 3

- A) Align the bracket (B) to the back edge of the furniture's top panel. Insert screws (D) through the bracket (B) and fasten to the furniture with a Phillips head screwdriver or drill.
- B) With help, place the furniture against the wall in its intended location then, place the second bracket (B) against the wall directly behind the bracket attached to the furniture. If possible, align the brackets (B) with a wall stud. Mark the location of the holes in the second bracket (B) on the wall, then place the furniture aside.
- C) Wall stud installation:
Insert the screws (C) through the second bracket (B). Then, use a Phillips head screwdriver or drill to fasten the screws (C) directly into the wall at the marked location.

Drywall or other wall types installation:

Contact your local hardware store to source the correct anchors for your wall type, use any fasteners included with wall anchor kits to attach anti-tip kit brackets to the wall. Follow the manufacturers directions in using their hardware to attach the anti-tip kit.

- D) Place the furniture against the wall aligning the brackets (B), then run the strap (A) through both brackets (B) and pull it tight to secure the furniture. Re-adjust levelers as necessary to accommodate uneven floors.



WARNING: Attach Dresser to the wall to prevent tipping that can cause damage and/or bodily injury

