

MARINA COFFEE TABLE

URBAN OUTFITTERS

Assembly Instructions

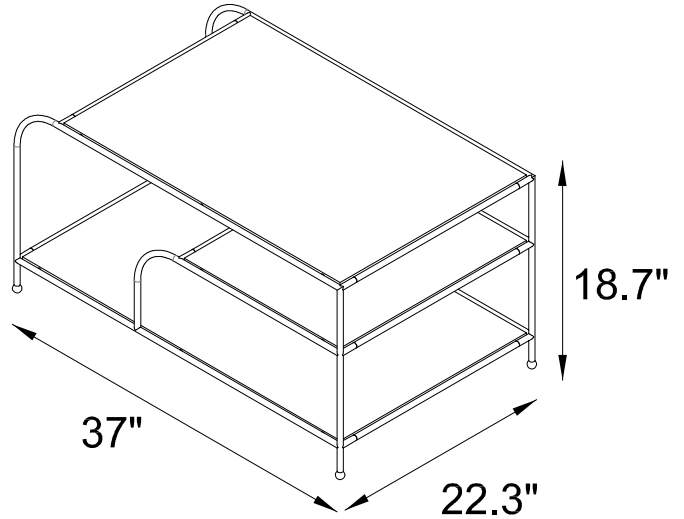
TOOLS REQUIRED BUT NOT INCLUDED: NONE

WARNINGS:

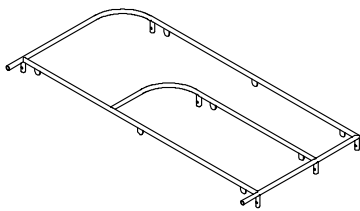
At least two people recommended for assembly
Do not throw away packing materials and carton until after assembly.
Ensure all parts are present prior to assembly.
Contact customer service immediately if parts are missing.
Assemble all parts on a clean smooth surface
Do not drag the table while moving.

CARE INSTRUCTIONS:

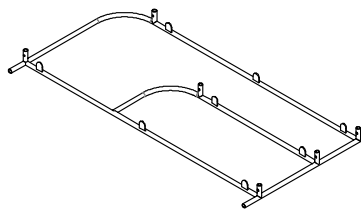
Avoid direct exposure to sunlight.
Do not place overheat or air conditioning vents.
Adjust levelers so that the furniture sits flat on uneven floors.
Blot spills with a clean white cloth, do not rub.
Do not use harsh chemicals.
Before cleaning any part test a small spot in a hidden area.
You may need to re-tighten all bolts after initial use.



PARTS INCLUDED



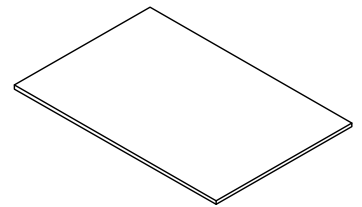
A-L) Metal Front Frame



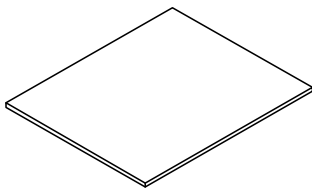
A-R) Metal Back Frame



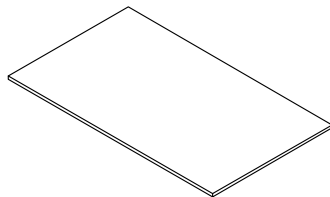
B) Cross Rail x6



C) Top Shelf



D) Middle Shelf



E) Bottom Shelf



F) Bolt [M5x10mm] x12



G) Metal Ball x4

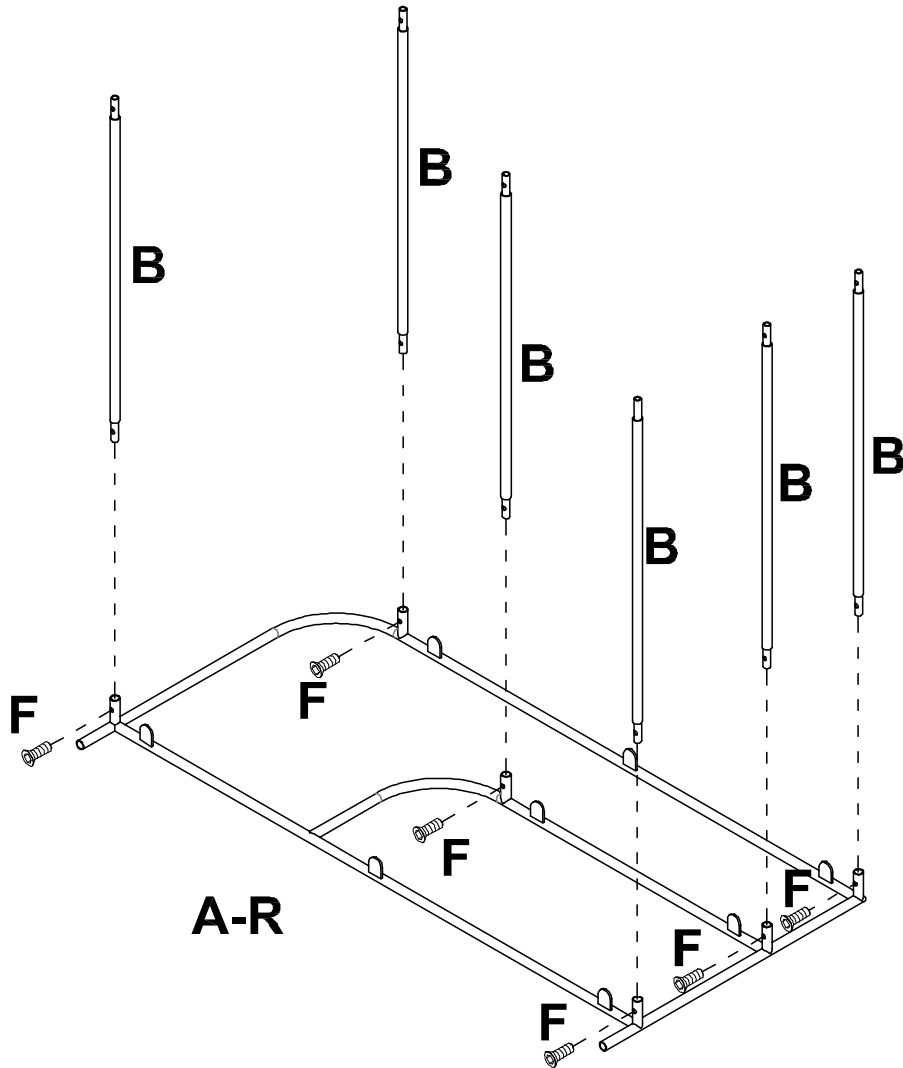


H) Allen Key

Assembly Instructions

STEP 1

Lay down all the parts on a clean carpet or cardboard for assembly. Remove plastic protective caps from metal frames (A-L & A-R). Align metal back frame (A-R) with cross rails (B). Insert bolts (F), and partially tighten with Allen key (H). Once all bolts are inserted and partially tightened, fully tighten the bolts.



Assembly Instructions

STEP 2

Align metal front frame (A-L) with cross rails (B). Insert bolts (F) and partially tighten with Allen key (H). Once all bolts are inserted and partially tightened, fully tighten the bolts. Screw metal ball (G) onto the bottom of the metal frames as shown. With help, flip the coffee table upright. Carefully place top, middle, and bottom shelves (C)(D)(E) on the partially assembled frame as shown.

