

Kane Media Cabinet

URBAN OUTFITTERS

Assembly Instructions

TOOLS REQUIRED BUT NOT INCLUDED:

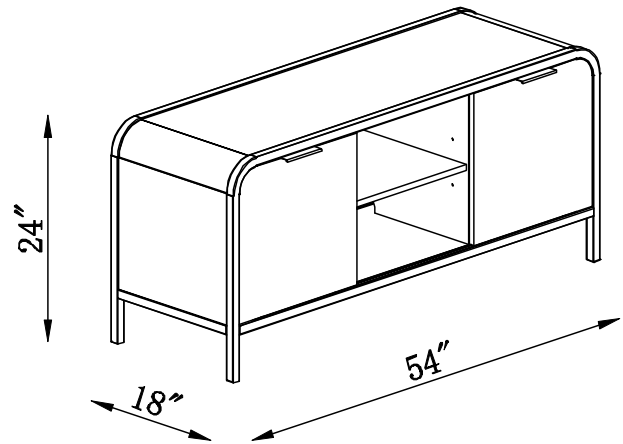
Phillips head screwdriver

WARNINGS:

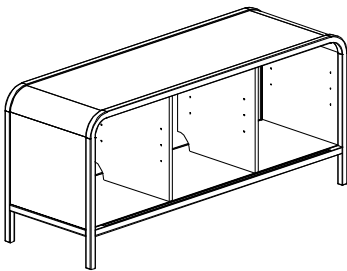
Do not throw away packing materials and carton until after assembly.
Ensure all parts are present prior to assembly.
Contact customer service immediately if parts are missing.
Assemble all parts on a clean smooth surface.

CARE INSTRUCTIONS:

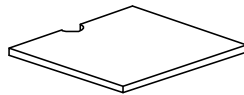
Avoid direct exposure to sunlight.
Do not place over heat or air conditioning vents.
Adjust levelers so that the furniture sits flat on uneven floors.
Blot spills with a clean white cloth, do not rub.
Do not use harsh chemicals.
Before cleaning any part test a small spot in a hidden area.
You may need to re-tighten all bolts after initial use.



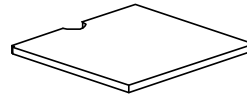
PARTS INCLUDED:



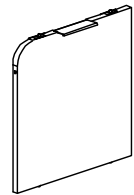
(A) Media Cabinet
x1



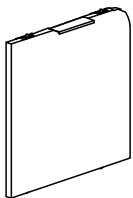
(B) Middle Shelf
x1



(C) Shelf
x2



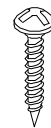
(D) Door
x1



(E) Door
x1



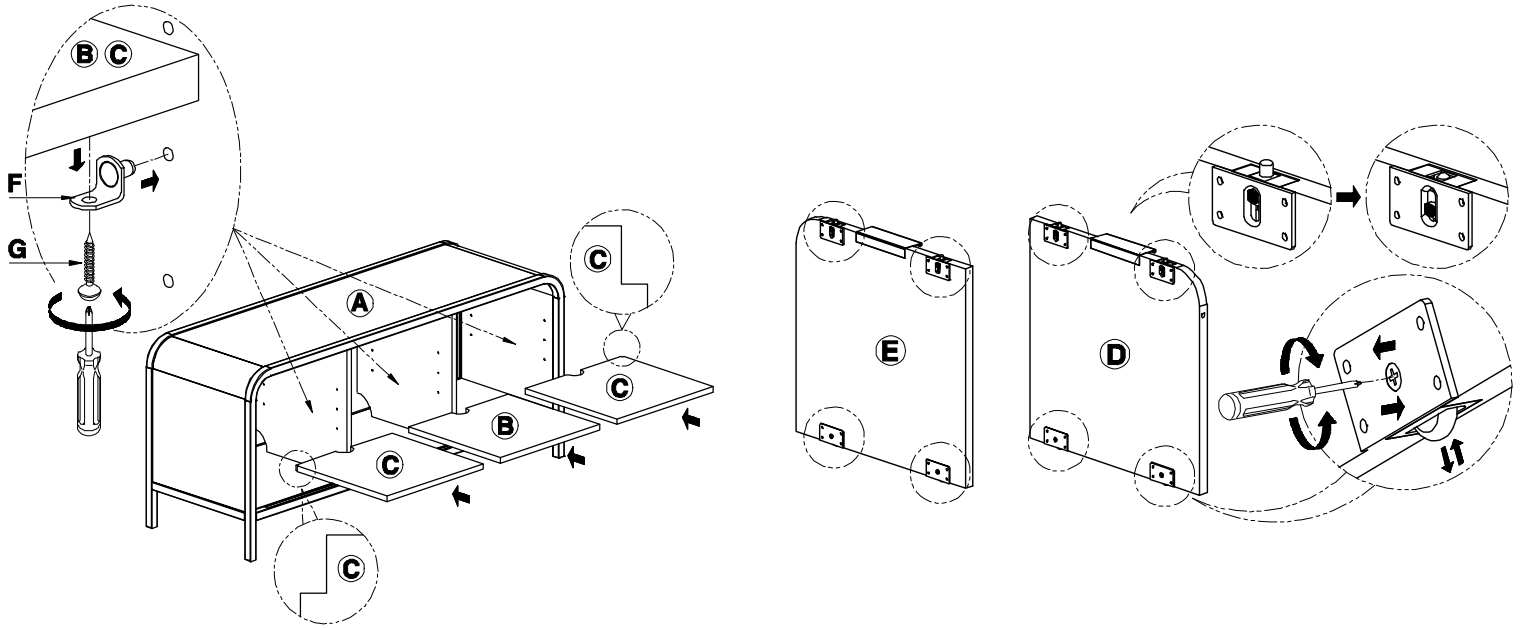
(F) Shelf pin
x12



(G) Screw
[M3,5 x 12mm] x12

STEP 1

Place the media cabinet parts onto a clean smooth surface such as carpet or cardboard. Insert shelf pins (F) into the cabinet at a preferred height. Ensure the pins are aligned by counting the holes below each. Place shelves (B&C) onto shelf pins (F). Slide down the latches in the top of doors (D&E). Use the screw in the doors to adjust the height of the glides.



STEP 2

Align and insert the doors (D&E) into the door tracks then, slide the latch back up. Adjust the height of the glides to ensure the doors operate smoothly. Adjust the levelers to accommodate uneven floors.

