

# Ally Tall Dresser

**URBAN OUTFITTERS**

## Assembly Instructions

### TOOLS REQUIRED BUT NOT INCLUDED:

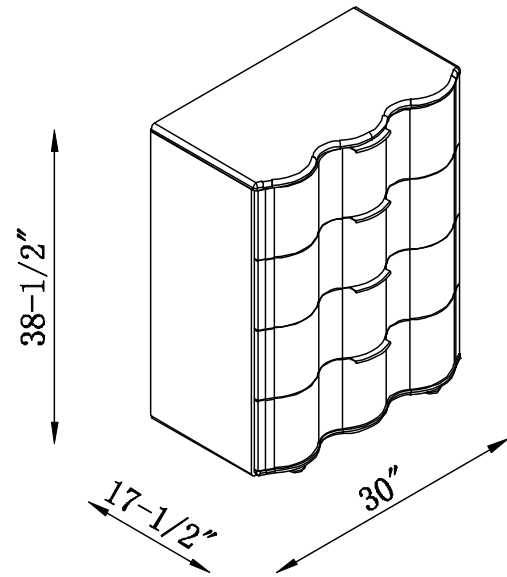
Phillips head screwdriver, Pencil

### WARNINGS:

Do not throw away packing materials and carton until after assembly.  
Ensure all parts are present prior to assembly.  
Contact customer service immediately if parts are missing.  
Assemble all parts on a clean smooth surface.

### CARE INSTRUCTIONS:

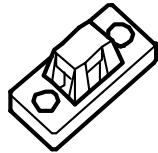
Avoid direct exposure to sunlight.  
Do not place over heat or air conditioning vents.  
Adjust levelers so that the furniture sits flat on uneven floors.  
Blot spills with a clean white cloth, do not rub.  
Do not use harsh chemicals.  
Before cleaning any part test a small spot in a hidden area.  
You may need to re-tighten all bolts after initial use.



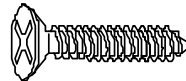
### PARTS INCLUDED:



(A) Nylon strip  
x1



(B) Bracket  
x2



(C) Screw  
[M3 x 32mm] x2



(D) Screw  
[M3 x 19mm] x2

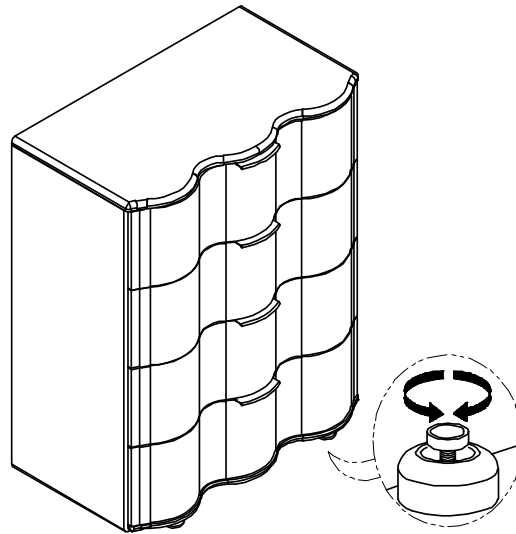
# Ally Tall Dresser

## Assembly Instructions

URBAN OUTFITTERS

### STEP 1

Adjust the levelers as shown below to accommodate uneven floors.



### STEP 2

- Align the Anti Tip Brackets (B) to the Top back of the Case. Insert Screws (C) and tighten completely. Do not over-tighten.
- Contact your local hardware store to purchase the correct anchors for your wall-type.
- Align the second Anti Tip Bracket (B) to the wall and make sure it lines up with the bracket on the back of the case from step (a).
- Screw the bracket to the wall using the correct anchors.
- Slide the case toward the wall leaving a little bit of room between the case and the wall.
- Feed the Nylon Strap through both brackets and pull tight.

