

Romie Wide Shelf

URBAN OUTFITTERS

Assembly Instructions

TOOLS REQUIRED BUT NOT INCLUDED

Phillips head screwdriver / drill, pencil

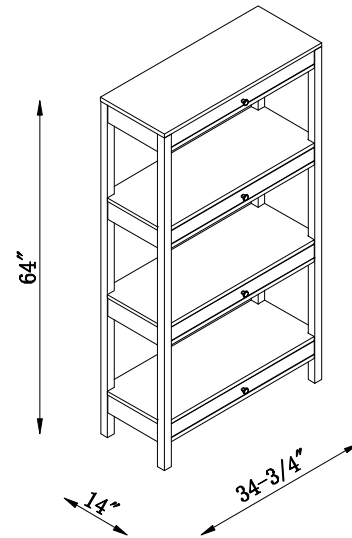
WARNINGS:

Do not throw away packing materials and carton until after assembly. Ensure all parts are present prior to assembly. Contact customer service immediately if parts are missing. Assemble all parts on a clean smooth surface.

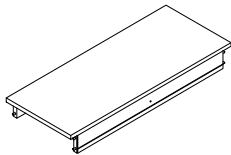
Attach Dresser to the wall to prevent tipping that can cause damage and/or bodily injury

CARE INSTRUCTIONS:

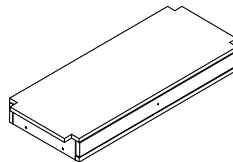
Avoid direct exposure to sunlight.
Do not place over heat or air conditioning vents.
Adjust levelers so that the furniture sits flat on uneven floors.
Blot spills with a clean white cloth, do not rub.
Do not use harsh chemicals.
Before cleaning any part test a small spot in a hidden area.
You may need to re-tighten all bolts after initial use.



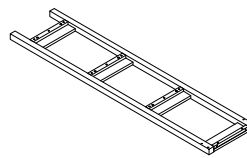
PARTS INCLUDED:



(A) Top drawer
x1



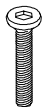
(B) Bottom drawer
x3



(C) Leg
x2



(D) Hex key
x1



(E) Bolt
[1/4 x 1-1/8"] x16



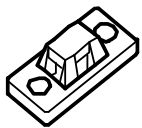
(F) Spring washer
[1/4"] x16



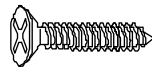
(G) Flat washer
[1/4"] x16



(H) Nylon strip
x1



(I) Bracket
x2



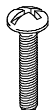
(J) Screw
[M3 x 32mm] x2



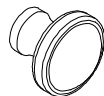
(K) Screw
[M3 x 19mm] x2



(L) Screw
[5/32" x 38mm] x4



(M) Screw
[5/32" x 25mm] x1

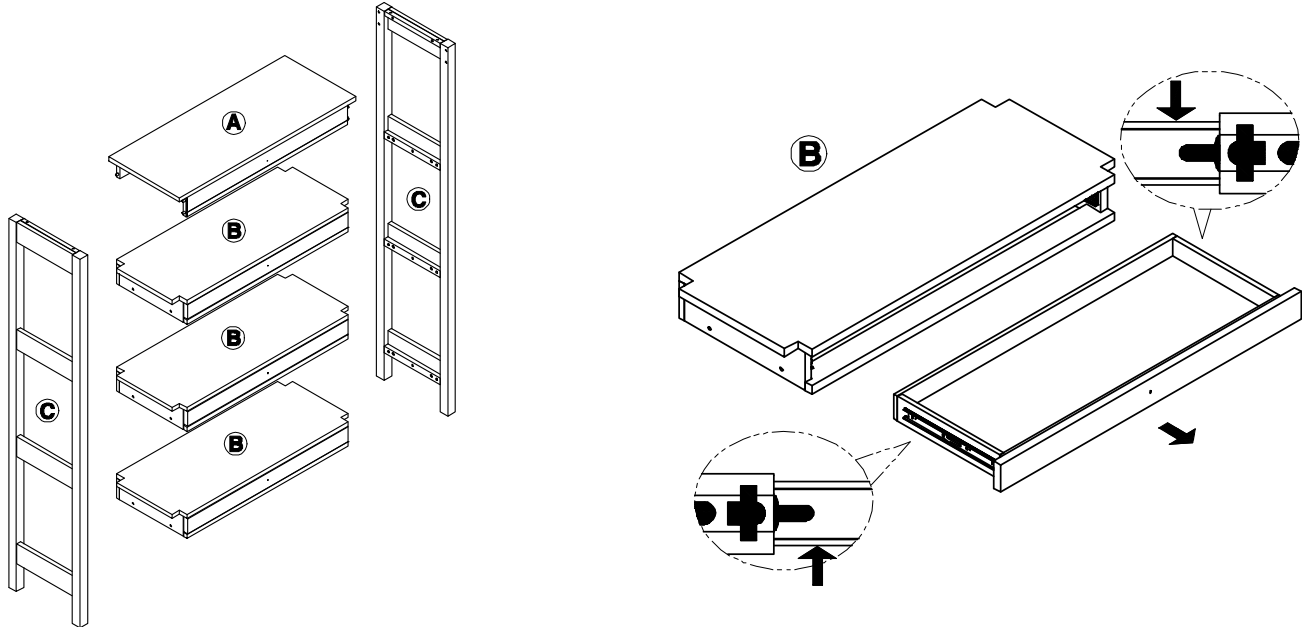


(N) Knob
x4

Assembly Instructions

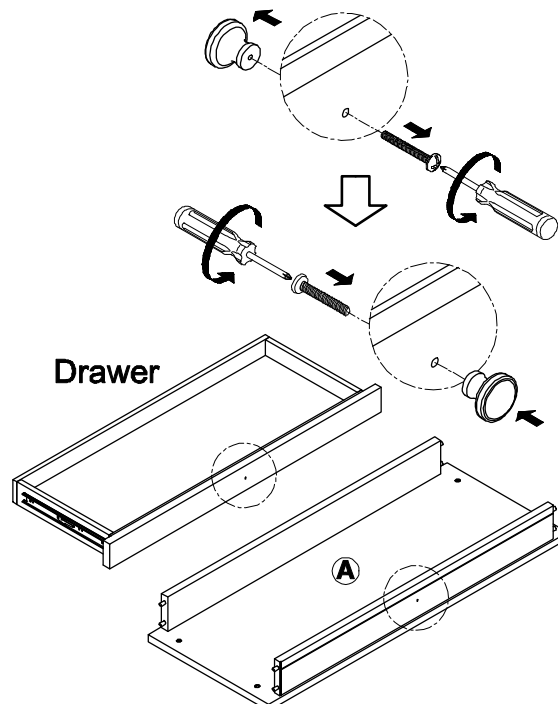
STEP 1

With help, lay the parts out onto a clean smooth surface such as carpet or cardboard. Open the drawers as far as they freely extend. Locate the plastic tabs in the center of the drawer guides on either side of the drawer. Press the tabs in opposite directions (up and down) as indicated to release the drawer guides, then carefully pull the drawer out of the cabinet.



STEP 2

Use a Philips head screwdriver to unscrew the drawer pulls (N) attached to the inside of the drawers. Align the drawer pulls (N) to the holes in the front of the drawers. Insert the screws (M) through the back of the drawers. Tighten the screws (MBS) with a Phillips head screwdriver or drill, do not over tighten.



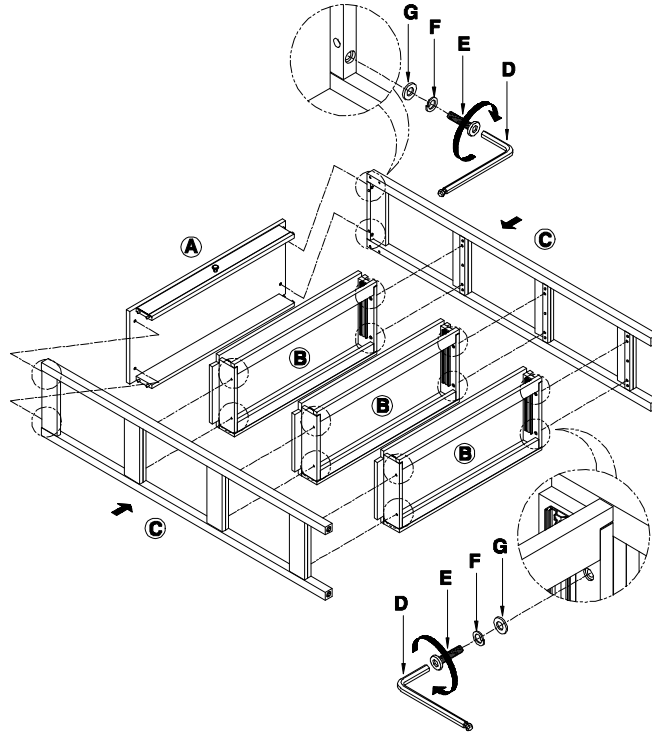
Romie Wide Shelf

URBAN OUTFITTERS

Assembly Instructions

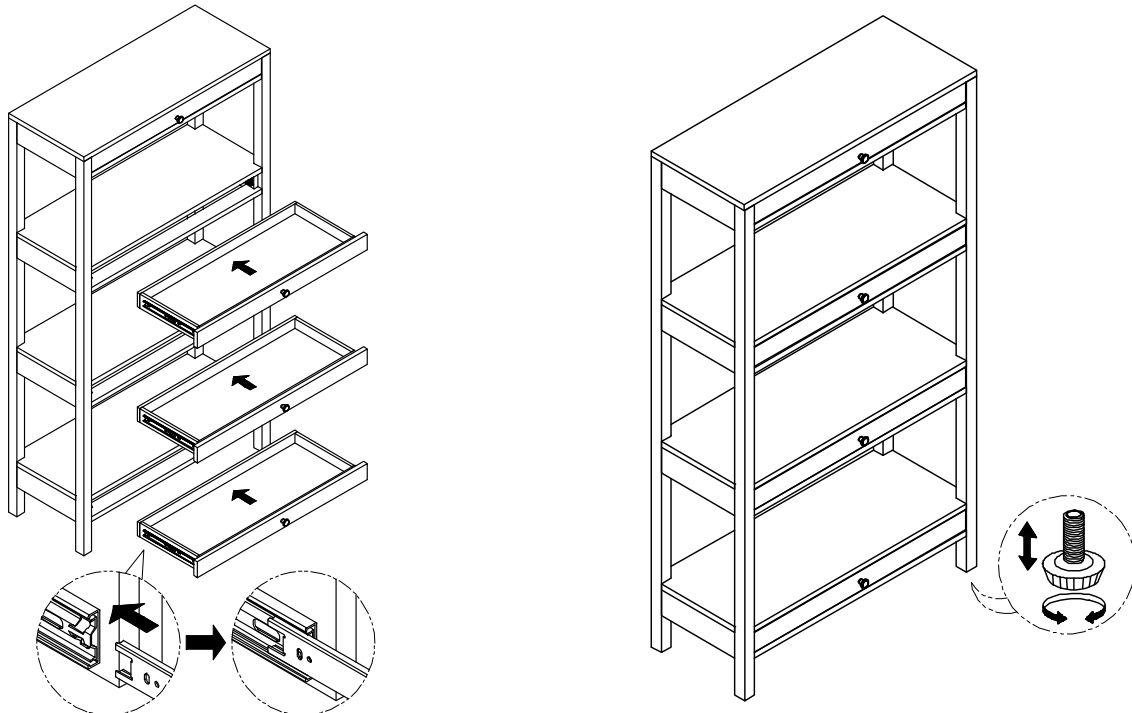
STEP 3

Align the legs (C) to the drawers (A&B) and press firmly into place. Insert the flat washers (G), spring washers (F) and bolts (E) as shown. Tighten with supplied hex key (D), do not over tighten.



STEP 4

Align the drawer (A) with the guides (B) and push them back into place. Open and close the drawer until the slides click into place. Adjust the levels as shown below to accommodate uneven floors.



STEP 5

- A) Align the bracket (I) to the back edge of the furniture's top panel. Insert screws (K) through the bracket (I) and fasten to the furniture with a Phillips head screwdriver or drill.
- B) With help, place the furniture against the wall in its intended location then, place the second bracket (I) against the wall directly behind the bracket attached to the furniture. If possible, align the brackets (I) with a wall stud. Mark the location of the holes in the second bracket (I) on the wall, then place the furniture aside.
- C) Wall stud installation:
Insert the screws (J) through the second bracket (I). Then, use a Phillips head screwdriver or drill to fasten the screws (J) directly into the wall at the marked location.

Drywall or other wall types installation:

Contact your local hardware store to source the correct anchors for your wall type, use any fasteners included with wall anchor kits to attach anti-tip kit brackets to the wall. Follow the manufacturers directions in using their hardware to attach the anti-tip kit.

- D) Place the furniture against the wall aligning the brackets (I), then run the strap (H) through both brackets (I) and pull it tight to secure the furniture. ~~Adjust the strap (H) to accommodate uneven floors.~~

