

Sylvie Nightstand

Assembly Instructions

URBAN OUTFITTERS

TOOLS REQUIRED BUT NOT INCLUDED:

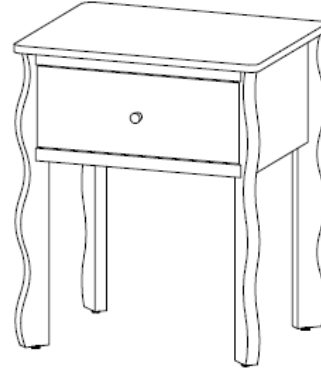
Drill, Phillips head screwdriver, Hammer, Level, Pencil

WARNINGS:

Do not throw away packing materials and carton until after assembly.
Ensure all parts are present prior to assembly.
Contact customer service immediately if parts are missing.
Assemble all parts on a clean smooth surface.

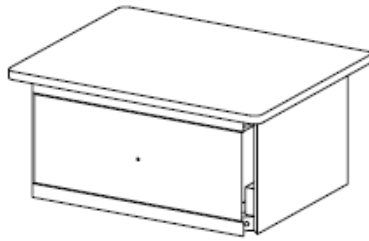
CARE INSTRUCTIONS:

Avoid direct exposure to sunlight.
Do not place over heat or air conditioning vents.
Adjust levelers so that the furniture sits flat on uneven floors.
Blot spills with a clean white cloth, do not rub.
Do not use harsh chemicals.
Before cleaning any part test a small spot in a hidden area.
You may need to re-tighten all bolts after initial use.



19 3/4"W x 15 3/4"D x 23 1/2"H

PARTS INCLUDED:



(A) Top frame x1



(B) Leg x4



(C) Bolt
[M6 x 45mm] x8



(D) Spring washer x8



(E) Flat washer x8



(F) Allen key x1



(H) Screw
[04 x 15mm] x1



(I) Plastic anchor
[06 x 30mm] x1

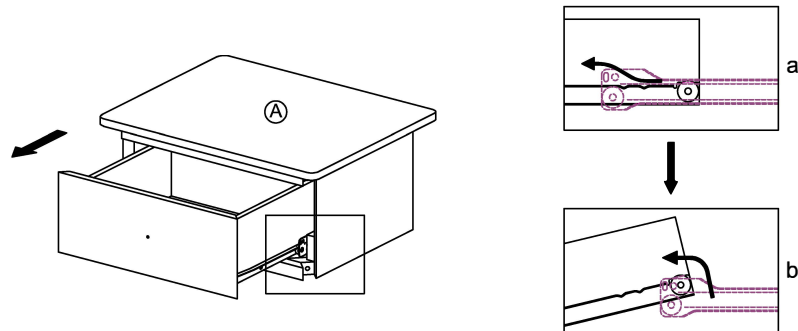
Sylvie Nightstand

Assembly Instructions

URBAN OUTFITTERS

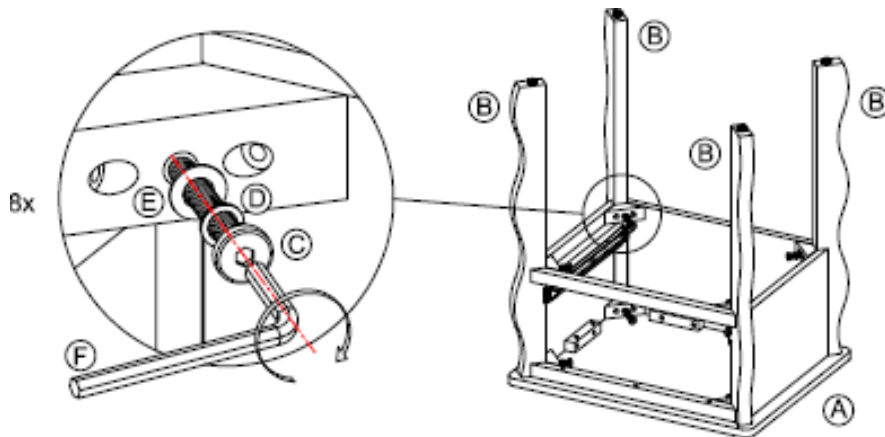
STEP 1

Carefully unpack the nightstand parts on a clean soft surface. Use the diagram below to remove the drawer.



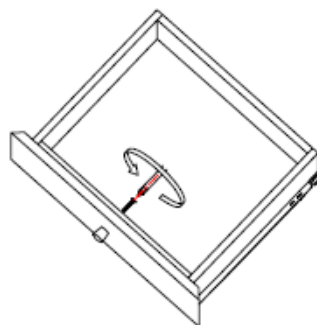
STEP 2

Place the top (A) upside down. Align legs (B) with top (A) and insert bolts (C) spring washers (D) and flat washers (E) as shown then, tighten with the supplied Allen key (F). Carefully flip the nightstand rightside up.



STEP 3

Use a Phillips head screwdriver to remove the drawer handle pre-installed on the inside of the drawer. Place the drawer handle on the face of the drawer as shown and re-attach it with the original screw and a Phillips head screwdriver.



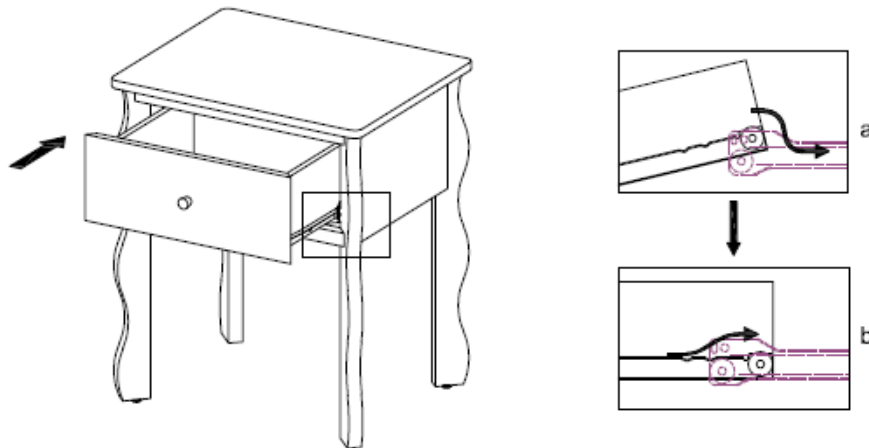
Sylvie Nightstand

Assembly Instructions

URBAN OUTFITTERS

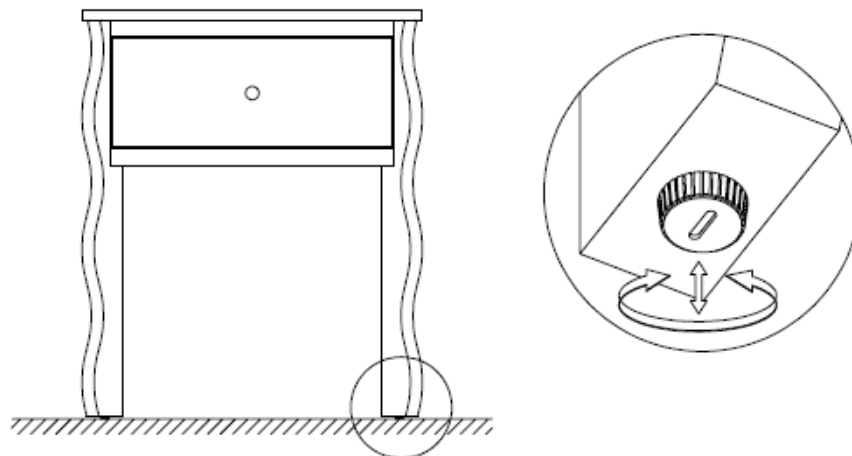
STEP 4

Use the diagram below to re-install the drawer.



STEP 5

Adjust the levelers on the bottom of the legs (B) to accommodate uneven floors



Sylvie Nightstand

Assembly Instructions

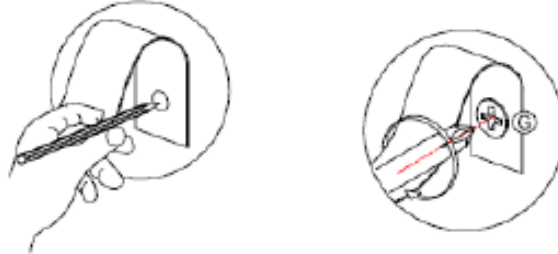
URBAN OUTFITTERS

STEP 6

Place the nightstand against the wall in a preferred location. Mark the location of the hole in the anti-tip strap on the wall.

Wood or Stud Installation:

Insert screw (G) through the anti-tip strap into the wall and tighten with a Phillips head screwdriver or drill.



Drywall Installation:

Move the nightstand away from the wall. Attach the drywall anchor (H) to the wall at the marked location using a drill and hammer. Place the nightstand back against the wall and insert screw (G) through the anti-tip strap into the drywall anchor (H) then, tighten with a Phillips head screwdriver.

The included hardware is intended for attachment to drywall or wooden studs, contact your local hardware store to find the correct anchor for alternative wall-types such as stone or brick.

